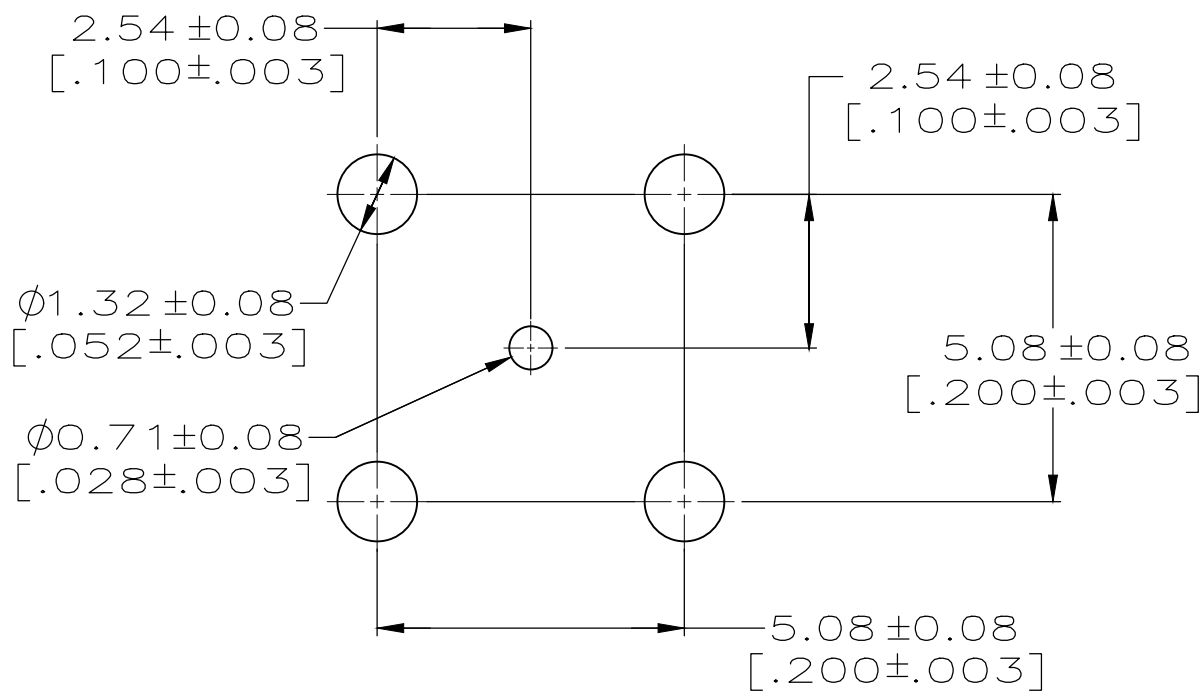
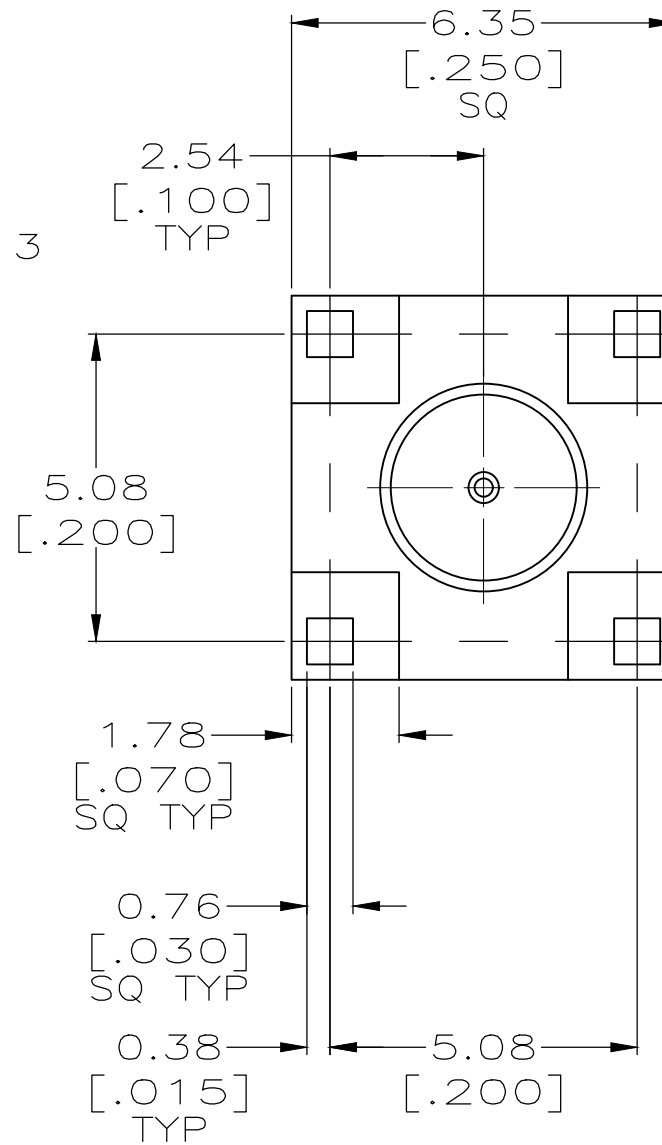
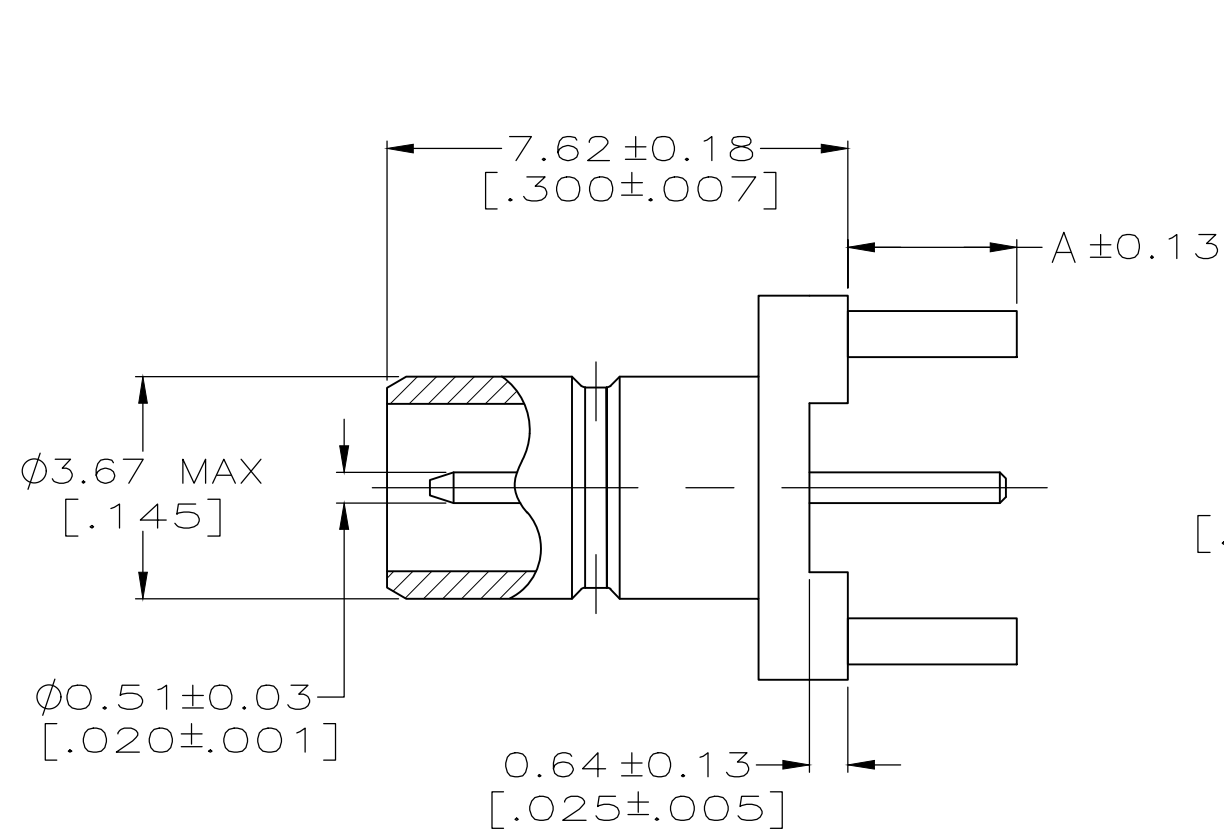


P	LTR	DESCRIPTION	DATE	DWN	APVD
	B2	REVISED PER ECR-20-013534	23SEP2020	RZ	RS



- 1 MATERIALS:
BODY: BRASS PER QQ-B-626.
CONTACT: BRASS PER QQ-B-626.
DIELECTRIC: PTFE PER ASTM-D-1710.
- 2 FINISHES:
BODY: GOLD PER MIL-G-45204.
CONTACT: GOLD PER MIL-G-45204.
- 3 FINISHES:
BODY: GOLD FLASH PER MIL-G-45204
OVER NICKEL PER QQ-N-290.
CONTACT: GOLD PER MIL-G-45204.
- 4 SEE SEPERATE RESTRICTED
CUSTOMER DRAWING WITH THIS
PART NUMBER.

3.05	[.120]	3	415504-7
-	-	-	415504-6
3.05	[.120]	3	415504-4
3.05	[.120]	2	415504-3
2.11	[.083]	3	415504-2
2.11	[.083]	2	415504-1
A		FINISH	PART NUMBER

OBSOLETE

THIS DRAWING IS A CONTROLLED DOCUMENT.		DWN B.MOYER 27JUN96	TE Connectivity		
DIMENSIONS: mm [INCHES]		CHK G. MICHAEL 28JUN96			
TOLERANCES UNLESS OTHERWISE SPECIFIED:		APVD G. MICHAEL 28JUN96	NAME STRAIGHT JACK, PCB, 75 OHM, MINI-SMB		
0 PLC ± - 1 PLC ± - 2 PLC ± 0.05 [.002] 3 PLC ± - 4 PLC ± - ANGLES ± -		PRODUCT SPEC -	APPLICATION SPEC -		
MATERIAL 1	FINISH 2 3	WEIGHT 0.000000	SIZE A3	CAGE CODE 00779	DRAWING NO C-415504
CUSTOMER DRAWING			SCALE 8:1	SHEET 1 OF 1	RESTRICTED TO -

RECOMMENDED PCB CONFIGURATION