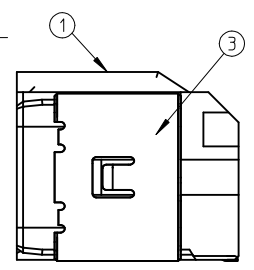
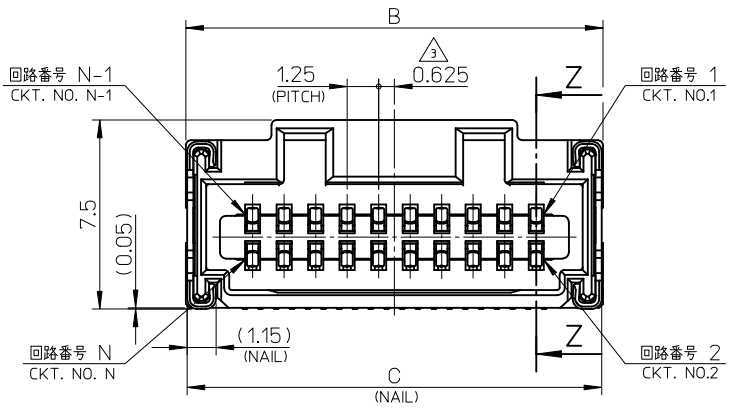
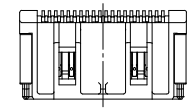


SECTION Z-Z

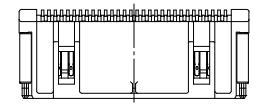


NOTES

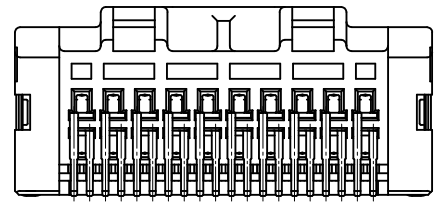
1. 嵌合相手: 503110-****. MATE WITH: 503110-****.
2. 端子テール部 及び ネイルの平坦度: 0.1MAX. TAIL AND NAIL COPLANARITY TO BE 0.1 MAX.
3. 極数/2=偶数に適用. APPLY FOR CKT. SIZE / 2 = EVEN.
4. 端子テール部 及び ネイルに錫めっきを使用しているため、外観に摺動痕が付く場合が御座います。THE WOUND OF FRICTION MIGHT ADHERE TO EXTERNALS BECAUSE THE TIN PLATING IS USED FOR THE TAIL AND NAIL.
5. 本製品のプラスチック部に黒点等が確認される場合や色合いが異なる場合がありますが、製品性能に影響はありません。THERE IS NO INFLUENCE IN THE PRODUCT PERFORMANCE THOUGH THE BLACK SPOT ETC. MIGHT BE CONFIRMED TO THE PLASTIC PART OF THIS PRODUCT AND THE SHADE MIGHT BE DIFFERENT.
6. ELV 及び RoHS 適合品. ELV AND RoHS COMPLIANT



20ckt.



30ckt.



40ckt.

極数の種類 (正面図)

KIND OF CKT. NO. (FRONT VIEW)

15.5	24.375	25.9	28.95	29.05	29.5	502046-4070	40
9.25	18.125	19.65	22.7	22.8	23.25	502046-3070	30
3	11.875	13.4	16.45	16.55	17	502046-2070	20
F	E	D	C	B	A	EMBOSSED PACKAGE	極数

CONNECTOR SERIES No. 502046-**00

1.25 W/B CONN. DUAL R/A REC. ASS'Y



MOLEX INCORPORATED

DOCUMENT NO.

SD-502046-001

SHEET NO.

1 OF 2

SEE TABLE

THIS DRAWING CONTAINS INFORMATION THAT IS PROPRIETARY TO MOLEX INCORPORATED AND SHOULD NOT BE USED WITHOUT WRITTEN PERMISSION

番号 NO.	部品 PART	材質 MATERIAL
①	ハウジング HOUSING	ポリアミド(PA) UL94V-0 色: 自然色 POLYAMIDE(PA) UL94V-0 COLOR:NATURAL
②	ターミナル TERMINAL	銅合金 COPPER ALLOY 金めっき(接点部): 0.1 micro-meter MIN. GOLD (CONTACT AREA) 錫めっき(テール部): 1.0 micro-meter MIN. TIN (TAIL AREA) ニッケルめっき(下地): 1.0 micro-meter MIN. NICKEL (UNDER PLATING)
③	ネイル NAIL	銅合金 COPPER ALLOY 錫めっき: 1.0 micro-meter MIN. TIN ニッケルめっき(下地): 1.0 micro-meter MIN. NICKEL (UNDER PLATING)

REVISED
EC NO: J2011-0621
DRWNR:HORI
CHKD:
APPR:NUKITA
2010/10/27
2010/11/01

GENERAL TOLERANCES (UNLESS SPECIFIED)

10 UNDER	±0.2
10 OVER 30 UNDER	±0.25
30 OVER	±0.3

ANGULAR ±3 °
DRAFT WHERE APPLICABLE
MUST REMAIN WITHIN DIMENSIONS

DIMENSION STYLE
MM ONLY

DRAWN BY DATE
T. MIYAZAKI 2006/03/13

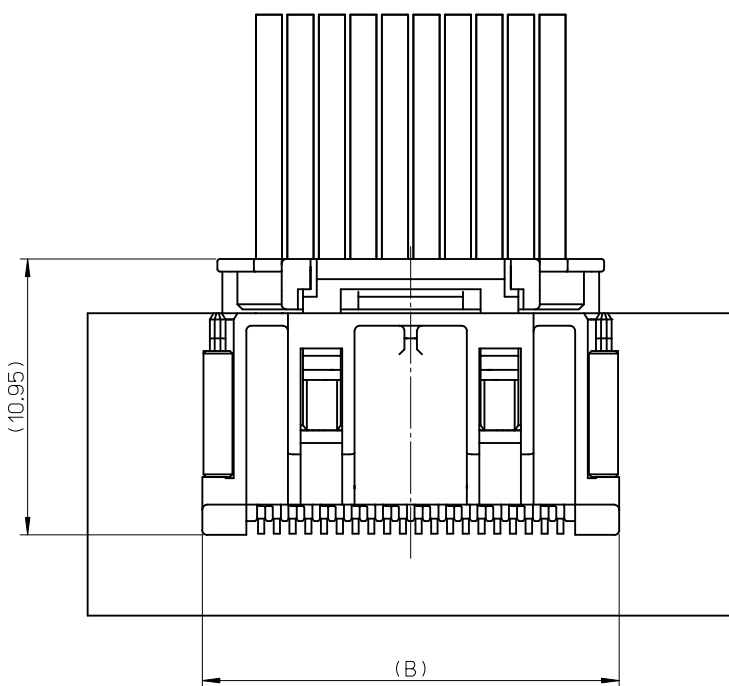
CHECKED BY DATE
K. ASAKAWA 2006/03/13

APPROVED BY DATE
S. ICHIKAWA 2006/03/13

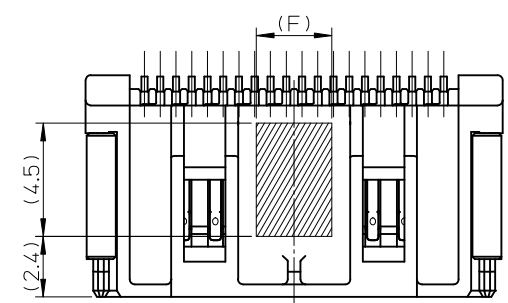
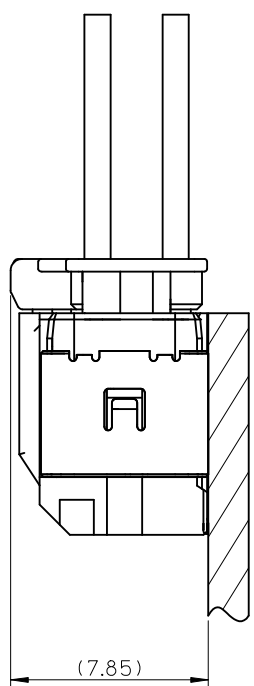
MATERIAL NO.

SCALE 5:1
DESIGN UNITS METRIC
THIRD ANGLE PROJECTION

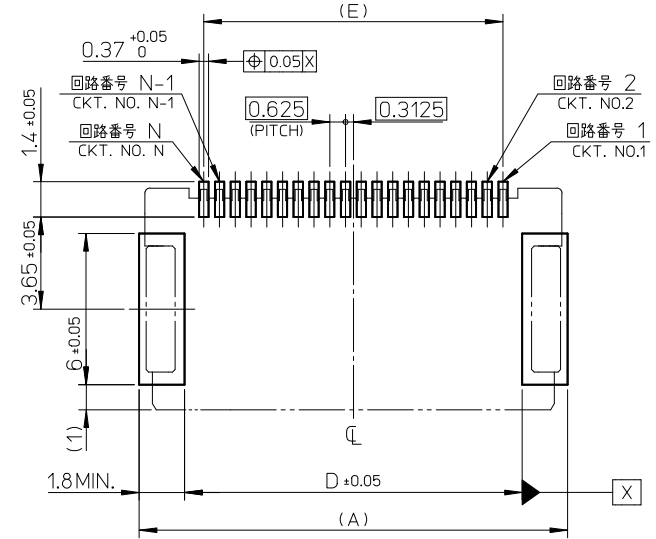
10 9 8 7 6 5 4 3 2 1



嵌合図
MATED CONNECTORS

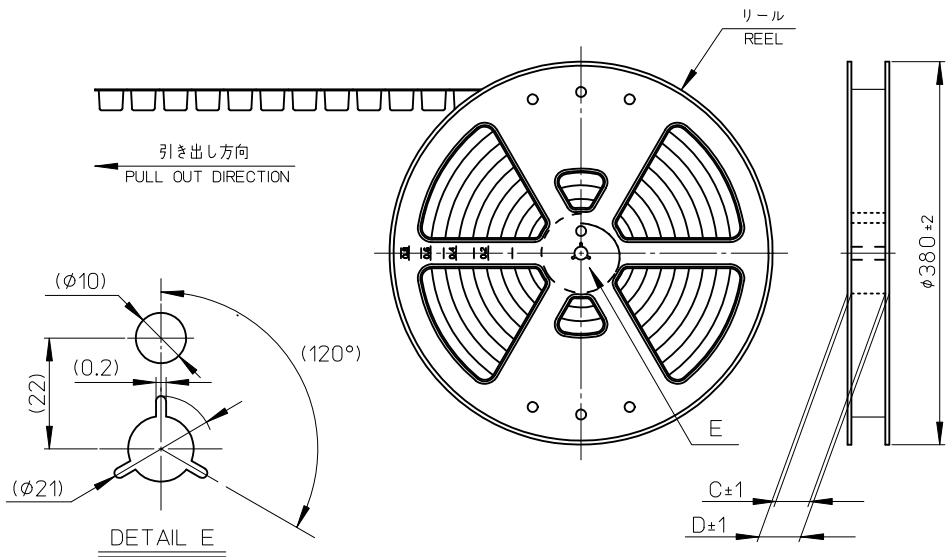


吸着範囲
VACUUM AREA



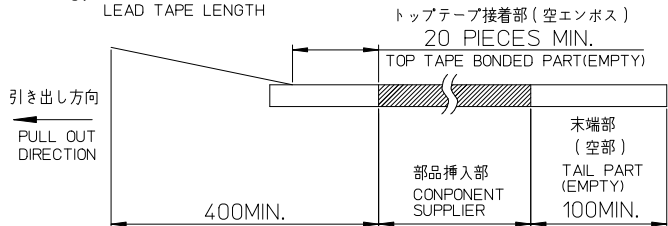
基板パターンレイアウト (参考)
RECOMMENDED P.C.B. PATTERN LAYOUT (REF.)

REVISED EC NO: J2011-0621 DRW:RHORI 2010/10/27 CHKD: APPR:NUKITA 2010/11/01 REV: C	GENERAL TOLERANCES (UNLESS SPECIFIED)		DIMENSION STYLE MM ONLY		SCALE 5:1	DESIGN UNITS METRIC	THIRD ANGLE PROJECTION	
	10 UNDER	± 0.2	DRAWN BY DATE T. MIYAZAKI 2006/03/13		TITLE 1.25 W/B CONN. DUAL R/A REC. ASS'Y			
	10 OVER 30 UNDER	± 0.25	CHECKED BY DATE K. ASAKAWA 2006/03/13		MOLEX INCORPORATED			
	30 OVER	± 0.3	APPROVED BY DATE S. ICHIKAWA 2006/03/13		DOCUMENT NO. SD-502046-001		SHEET NO. 2 OF 2	
	ANGULAR ±3 ° DRAFT WHERE APPLICABLE MUST REMAIN WITHIN DIMENSIONS		MATERIAL NO. SEE SHEET 1		THIS DRAWING CONTAINS INFORMATION THAT IS PROPRIETARY TO MOLEX INCORPORATED AND SHOULD NOT BE USED WITHOUT WRITTEN PERMISSION			

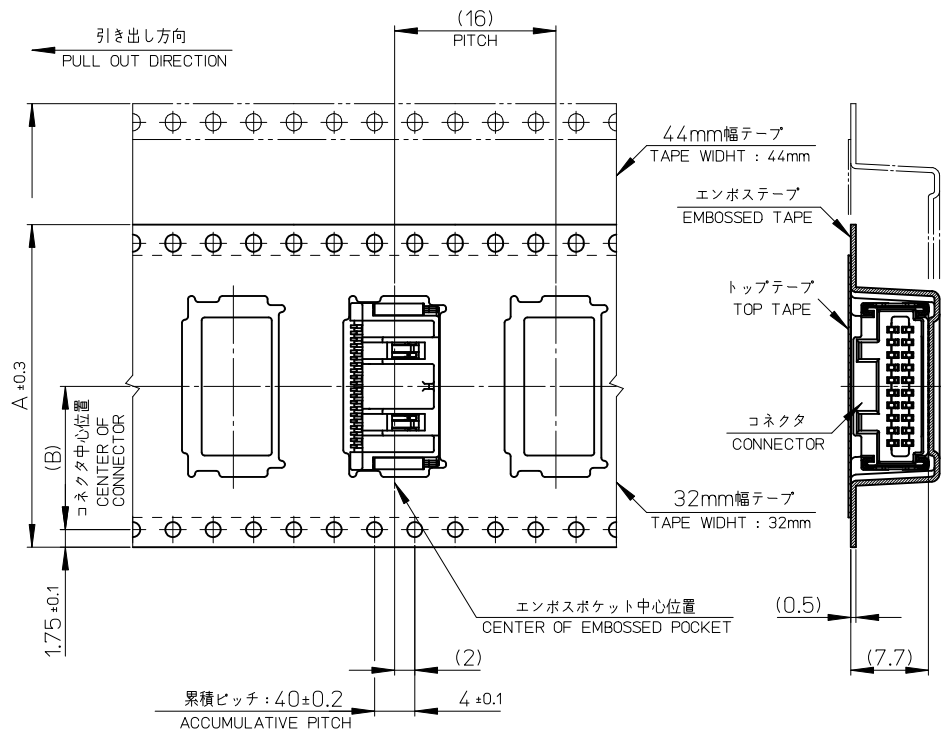


NOTES

- 製品詳細寸法については、SD-502046-001 を参照下さい。
PLEASE REFER TO SD-502046-001 FOR THE DETAILED DIMENSION OF THE CONNECTOR.
- 梱包数量 : 650個
NUMBER OF CONNECTORS : 650 PIECES/REEL.
- リードテープ長さ
LEAD TAPE LENGTH



- 材料 MATERIAL
キャリアテープ: ポリスチレン (PS)
CARRIER TAPE: POLYSTYRENE (PS)
トップテープ: ポリエステル (PET)、その他
TOP TAPE: POLYESTER (PET), OTHER
リール: ポリスチレン (PS) <リサイクル材を含む>
REEL: POLYSTYRENE (PS) <RECYCLE MATERIAL CONTAINED>
- ELV及びRoHS適合品
ELV AND RoHS COMPLIANT



49.4	45.4	20.2	44	44	502046-4070	40
49.4	45.4	20.2	44	44	502046-3070	30
37.4	33.4	14.2	32	32	502046-2070	20
D	C	B	A	エンボステープ幅 A WIDTH OF TAPE	EMBOSSSED PACKAGE オーダー番号 ORDER No.	極数 CIRCUITS

REVISED EC NO: J2010-1115 DRWN: NYOSHIKAWA 2009/12/03 CHKD: K. ASAKAWA 2009/12/07 APPR: NUKITA 2009/12/07	DESCRIPTION	GENERAL TOLERANCES (UNLESS SPECIFIED)		DIMENSION STYLE MM ONLY		SCALE ---	DESIGN UNITS METRIC	THIRD ANGLE PROJECTION	
		10 UNDER	± 0.2	DRAWN BY T. MIYAZAKI	DATE 2006/03/13	TITLE 1.25 W/B CONN. DUAL R/A REC. EMBTP PKG			
		10 OVER 30 UNDER	± 0.25	CHECKED BY K. ASAKAWA	DATE 2006/03/13	MOLEX INCORPORATED DOCUMENT NO. SD-502046-002 SHEET NO. 1 OF 1			
		30 OVER	± 0.3	APPROVED BY S. ICHIKAWA	DATE 2006/03/13				
REV	DESCRIPTION	ANGULAR $\pm 3^\circ$		MATERIAL NO. SEE TABLE		THIS DRAWING CONTAINS INFORMATION THAT IS PROPRIETARY TO MOLEX INCORPORATED AND SHOULD NOT BE USED WITHOUT WRITTEN PERMISSION			
DRAFT WHERE APPLICABLE MUST REMAIN WITHIN DIMENSIONS		SIZE A3							