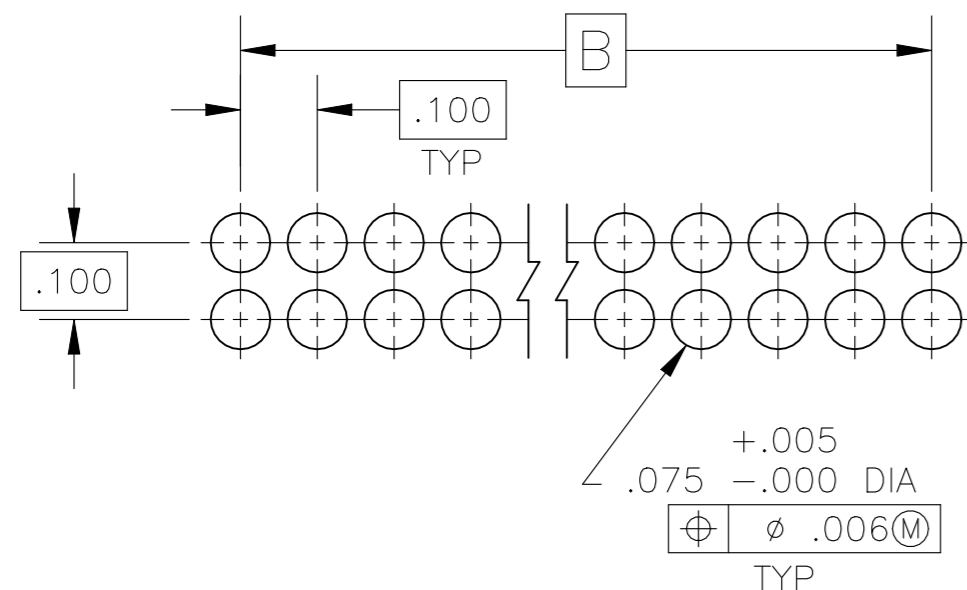
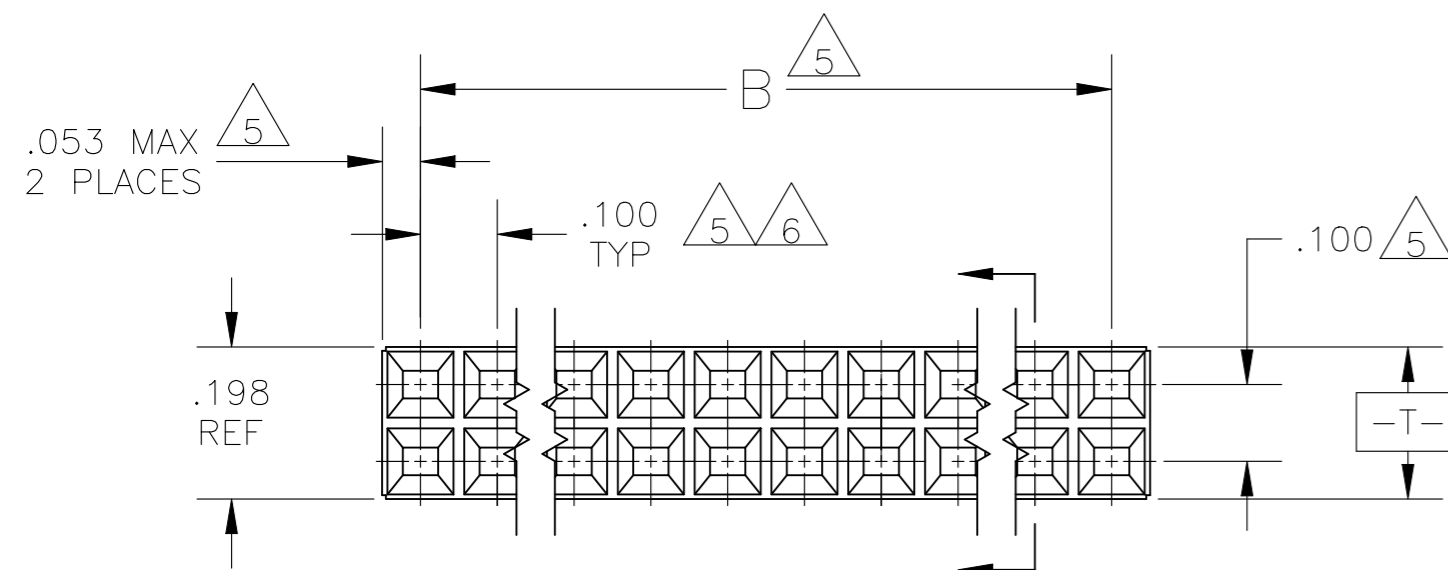
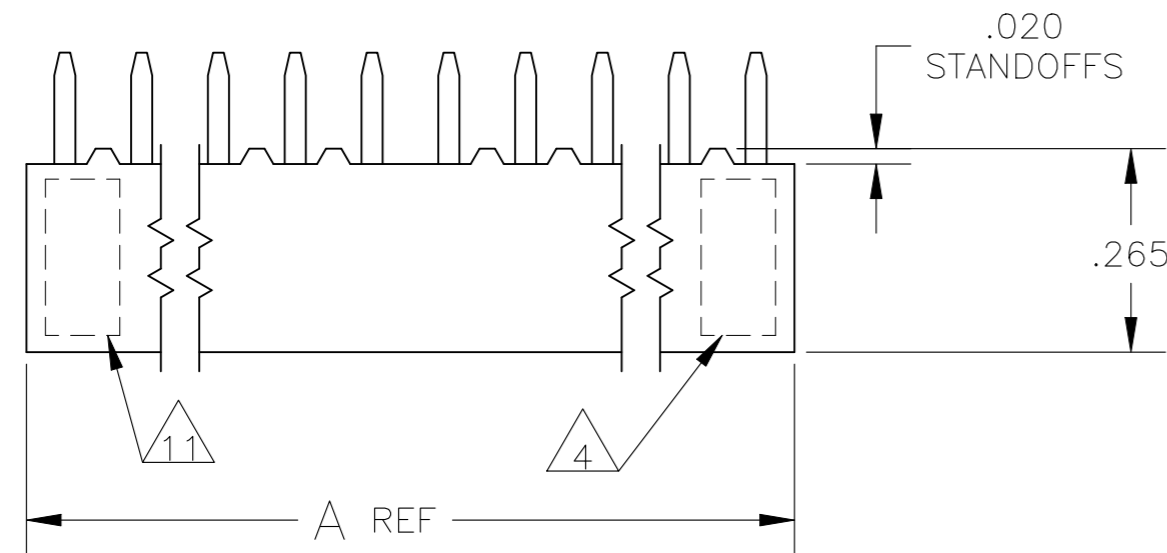
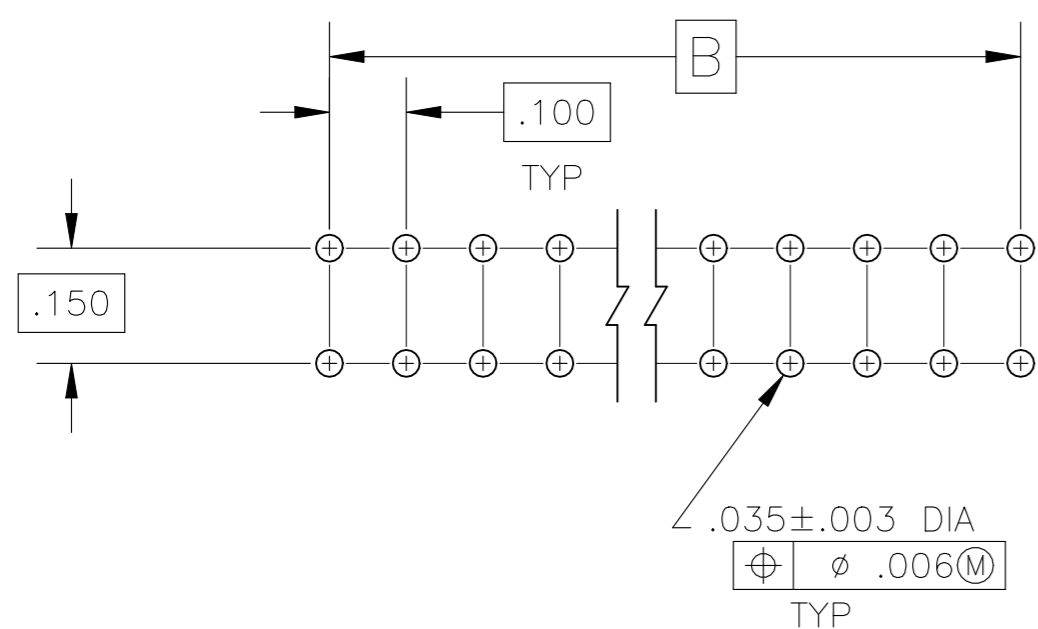


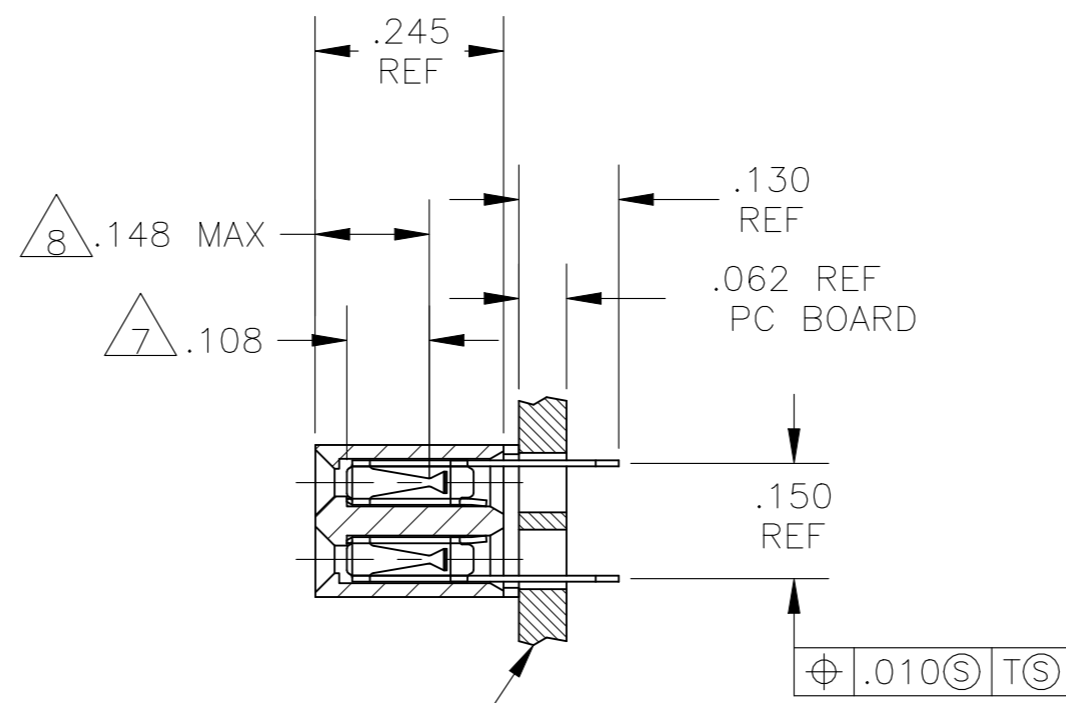
REVISIONS				
P	LTR	DESCRIPTION	DATE	DWN APVD
	M	RESIN SUPPLIER CHANGE FOR THE HOUSING	02DEC2021	SCB KJK



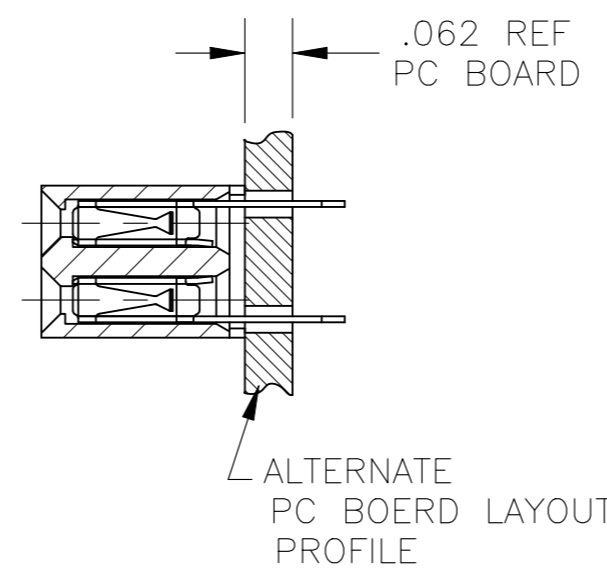
RECOMMENDED PC BOARD LAYOUT FOR POST TIP CLEARANCE THROUGH BOARD



ALTERNATE PC BOARD LAYOUT FOR POST TIP CLEARANCE THROUGH BOARD



RECOMMENDED PC BOARD LAYOUT PROFILE



ALTERNATE PC BOARD LAYOUT PROFILE

- 1 HOUSING: HIGH-TEMPERATURE, FLAME-RETARDANT THERMOPLASTIC; COLOR-BLACK.
- 2 CONTACTS: PHOSPHOR BRONZE
- 3 DUPLEX PLATED: .000030 GOLD IN CONTACT AREA ONLY, .000150-.000300 BRIGHT TIN-LEAD ON SOLDER LEADS, ALL OVER .000050 MIN NICKEL.
- 4 TYCO LOGO AND CSA LOGO ARE MOLDED INTO HOUSING
- 5 THESE DIMENSIONS PERTAIN TO CAVITY CENTERLINES ONLY--NOT TO CONTACT LOCATIONS.
- 6 TOLERANCE IS NON-CUMULATIVE.
- 7 POINT-OF-MEASUREMENT DIMENSION FOR PLATING THICKNESS (INSIDE CONTACT BEAMS).
- 8 POINT-OF-CONTACT DIMENSION.
- 9 DUPLEX PLATED: .000030 GOLD IN CONTACT AREA ONLY, .000150-.000300 MATTE TIN ON SOLDER LEADS, ALL OVER .000050 MIN NICKEL.
- 10 ROHS 2002/ 95/EC COMPLIANT
- 11 PART NUMBER AND DATE CODE ARE MARKED IN APPROXIMATE LOCATION SHOWN
- 12 FOR 2 POS, DATE CODE IS MARKED OPPOSITE SIDE OF TYCO LOGO
- 13 NO PART NUMBER MARKING IS REQUIRED ON THIS PART
- 14 OBSOLETE PARTS: OBSOLETE CIS STREAMLINING PER D.RENAUD/D.SINISI

THIS DRAWING IS A CONTROLLED DOCUMENT.		DWN D BIECHLER 01/11/88	TE Connectivity Ltd.	
DIMENSIONS: INCHES		CHK DIRK DIXON 03/11/88		
TOLERANCES UNLESS OTHERWISE SPECIFIED:		APVD DIRK DIXON 03/11/88	NAME RECEPTACLE ASSEMBLY, MOD IV, DOUBLE-ROW, .100x.100 C/L, CLOSED-ENTRY, VERTICAL-MOUNTED, HIGH-TEMPERATURE	
0 PLC ± -		PRODUCT SPEC 108-25022	SIZE A2	CAGE CODE 00779
1 PLC ± -		APPLICATION SPEC 114-25018	DRAWING NO C=535576	RESTRICTED TO -
2 PLC ± -		MATERIAL 1 2	WEIGHT -	SCALE 4:1
3 PLC ± -		FINISH 3 9	SHEET 1 OF 2	REV M
4 PLC ± -		CUSTOMER DRAWING		
ANGLES ± -				

REVISIONS

P	LTR	DESCRIPTION	DATE	DWN	APVD
-	-	SEE SHEET 1	-	-	-

	3.900	4.000	80		9-535576-0
	3.800	3.900	78		8-535576-9
	3.700	3.800	76		8-535576-8
	3.600	3.700	74		8-535576-7
	3.400	3.500	70		8-535576-6
	3.300	3.400	68		8-535576-5
	3.200	3.300	66		8-535576-4
	3.100	3.200	64		8-535576-3
	2.800	2.900	58		8-535576-2
	2.700	2.800	56		8-535576-1
	2.600	2.700	54		8-535576-0
	2.500	2.600	52		7-535576-9
	2.400	2.500	50		7-535576-8
	2.300	2.400	48		7-535576-7
	2.200	2.300	46		7-535576-6
	2.100	2.200	44		7-535576-5
	2.000	2.100	42		7-535576-4
	1.800	1.900	38		7-535576-3
	1.700	1.800	36		7-535576-2
	1.600	1.700	34		7-535576-1
	1.300	1.400	28		7-535576-0
	1.100	1.200	24		6-535576-9
	1.000	1.100	22		6-535576-8
	.900	1.000	20		6-535576-7
	.800	.900	18		6-535576-6
	.700	.800	16		6-535576-5
	.600	.700	14		6-535576-4
	.300	.600	12		6-535576-3
	.300	.400	8		6-535576-2
	.200	.300	6		6-535576-1
	.100	.200	4		6-535576-0
	-	.100	2		5-535576-9
	1.200	1.300	26		5-535576-8
	2.900	3.000	60		5-535576-7
	1.900	2.000	40		5-535576-6
	3.500	3.600	72		5-535576-5
	1.500	1.600	32		5-535576-4
	1.400	1.500	30		5-535576-3
	3.000	3.100	62		5-535576-2
	.400	.500	10		5-535576-1
FINISH	B	A	NO. OF POSN	ASSEMBLY PART NUMBER	

	3.900	4.000	80		4-535576-0
	3.800	3.900	78		3-535576-9
	3.700	3.800	76		3-535576-8
	3.600	3.700	74		3-535576-7
	3.400	3.500	70		3-535576-6
	3.300	3.400	68		3-535576-5
	3.200	3.300	66		3-535576-4
	3.100	3.200	64		3-535576-3
	2.800	2.900	58		3-535576-2
	2.700	2.800	56		3-535576-1
	2.600	2.700	54		3-535576-0
	2.500	2.600	52		2-535576-9
	2.400	2.500	50		2-535576-8
	2.300	2.400	48		2-535576-7
	2.200	2.300	46		2-535576-6
	2.100	2.200	44		2-535576-5
	2.000	2.100	42		2-535576-4
	1.800	1.900	38		2-535576-3
	1.700	1.800	36		2-535576-2
	1.600	1.700	34		2-535576-1
	1.300	1.400	28		2-535576-0
	1.100	1.200	24		1-535576-9
	1.000	1.100	22		1-535576-8
	.900	1.000	20		1-535576-7
	.800	.900	18		1-535576-6
	.700	.800	16		1-535576-5
	.600	.700	14		1-535576-4
	.300	.600	12		1-535576-3
	.300	.400	8		1-535576-2
	.200	.300	6		1-535576-1
	.100	.200	4		1-535576-0
	-	.100	2		535576-9
	1.200	1.300	26		535576-8
	2.900	3.000	60		535576-7
	1.900	2.000	40		535576-6
	3.500	3.600	72		535576-5
	1.500	1.600	32		535576-4
	1.400	1.500	30		535576-3
	3.000	3.100	62		535576-2
	.400	.500	10		535576-1
FINISH	B	A	NO. OF POSN	ASSEMBLY PART NUMBER	

14

OBSOLETE

14

OBSOLETE

14

OBSOLETE

535576

THIS DRAWING IS A CONTROLLED DOCUMENT.

DWN	D BIECHLER	01/11/88
CHK	DIRK DIXON	03/11/88
APVD	DIRK DIXON	03/11/88
PRODUCT SPEC	108-25022	
APPLICATION SPEC	114-25018	
WEIGHT	-	

TE Connectivity Ltd.

RECEPTACLE ASSEMBLY, MOD IV, DOUBLE-ROW, .100x.100 C/L, CLOSED-ENTRY, VERTICAL-MOUNTED, HIGH-TEMPERATURE

DIMENSIONS:	TOLERANCES UNLESS OTHERWISE SPECIFIED:
INCHES	0 PLC ± -
	1 PLC ± -
	2 PLC ± -
	3 PLC ± -
	4 PLC ± -
	ANGLES ± -
MATERIAL	FINISH

SIZE	CAGE CODE	DRAWING NO	RESTRICTED TO
A2	00779	C=535576	-
SCALE	1:1	SHEET	2 OF 2
CUSTOMER DRAWING		REV	M