

Style

M8 Socket, shielded
3 pin
A-coding

Ratings

Voltage: 60V
Current: 3A

Operating Temperature Range

-40~105 °C

Materials

- ① Insulator: PA66, UL 94 HB, black
- ② Pin: C3604 brass, gold flashing
- ③ Nut: C3604 brass, nickel plated
- ④ Shell: C3604 brass, nickel plated
- ⑤ O-ring: Nitrile rubber, black & green

Electrical Requirements

Dielectric strength: 1 min @ 500 Vac
Insulation resistance: 100 MΩ @ 500 Vdc
Contact resistance: 10 mΩ or less

Mechanical Requirements

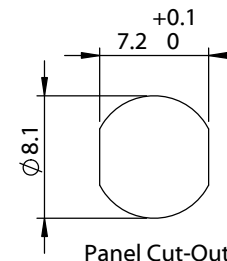
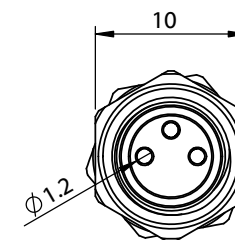
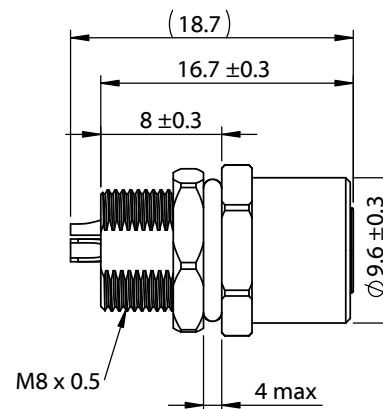
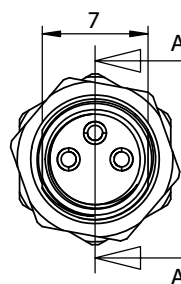
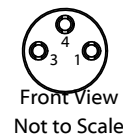
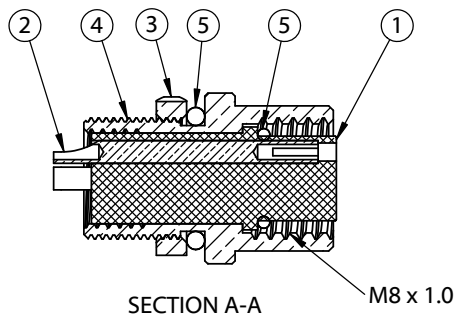
Life cycle: 1000 mating cycles minimum

Environmental Requirements

Salt spray test: 35 °C, relative humidity 90-95%, 5% NaCl mist for 24 hrs. Wash parts after test. Maintain mechanical requirements and a contact resistance of less than 10 mΩ. Waterproof: IP67

Assembly Info

Wire gauge: 24 AWG max



Revision:	Date:	Description:
A	8/26/21	Initial Release

Prepared:
Verified:
Dimensions are in millimeters. Tolerances: X: ± 0.3 mm X.X: ± 0.1 mm X.XX: ± 0.05 mm

Notes:
RoHS compliant
Function test: no open, no short circuit, no intermittent
Description: Connector, 3 pin M8 A-code socket, 8x18.7 mm, gold plated, panel mount, solder cup, IP67

TENSILITY

tel 1.541.323.3228 800 877.670.7118
fax 1.541.323.4202 web tensility.com

Size:	Part number:
A	54-00296
Scale: 2:1	Sheet 1 of 1