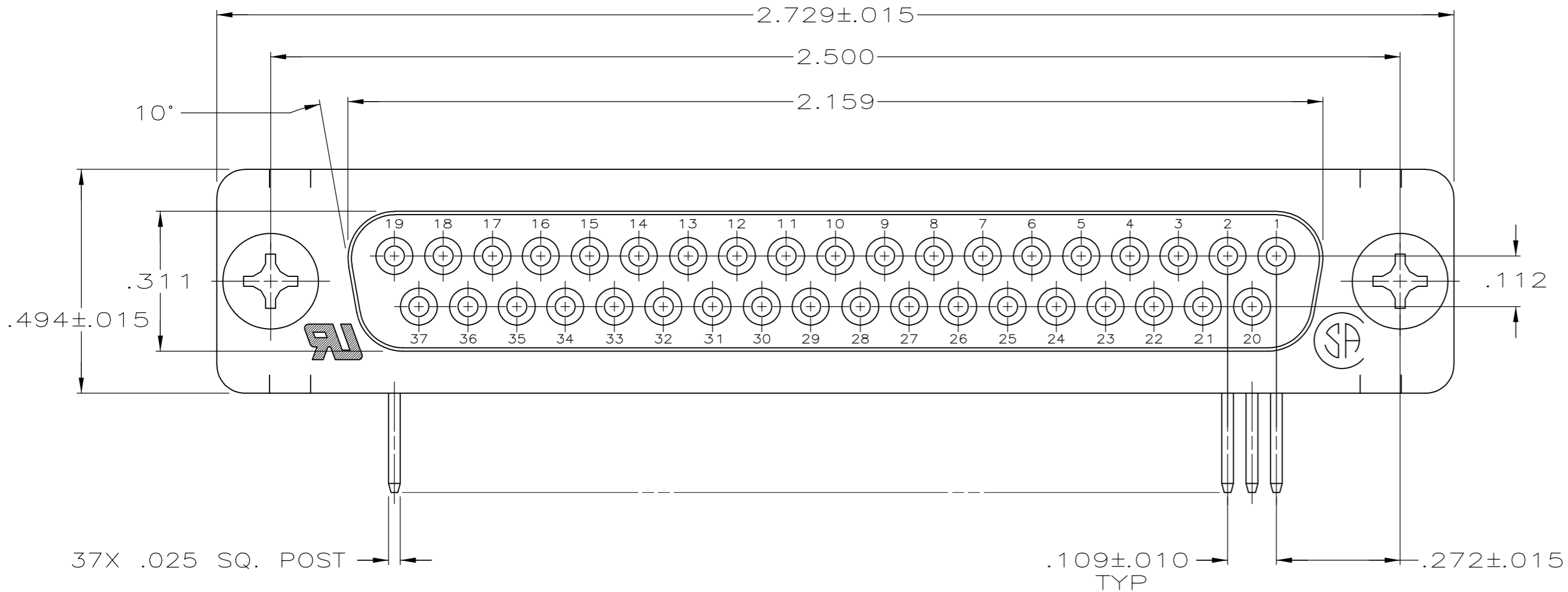
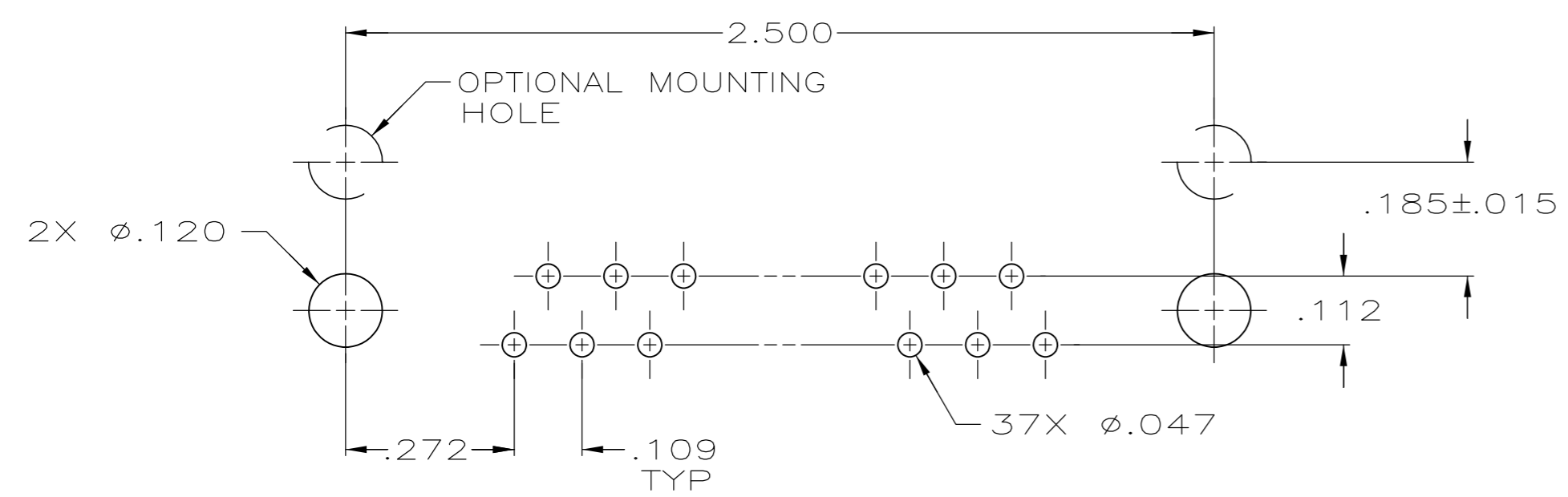
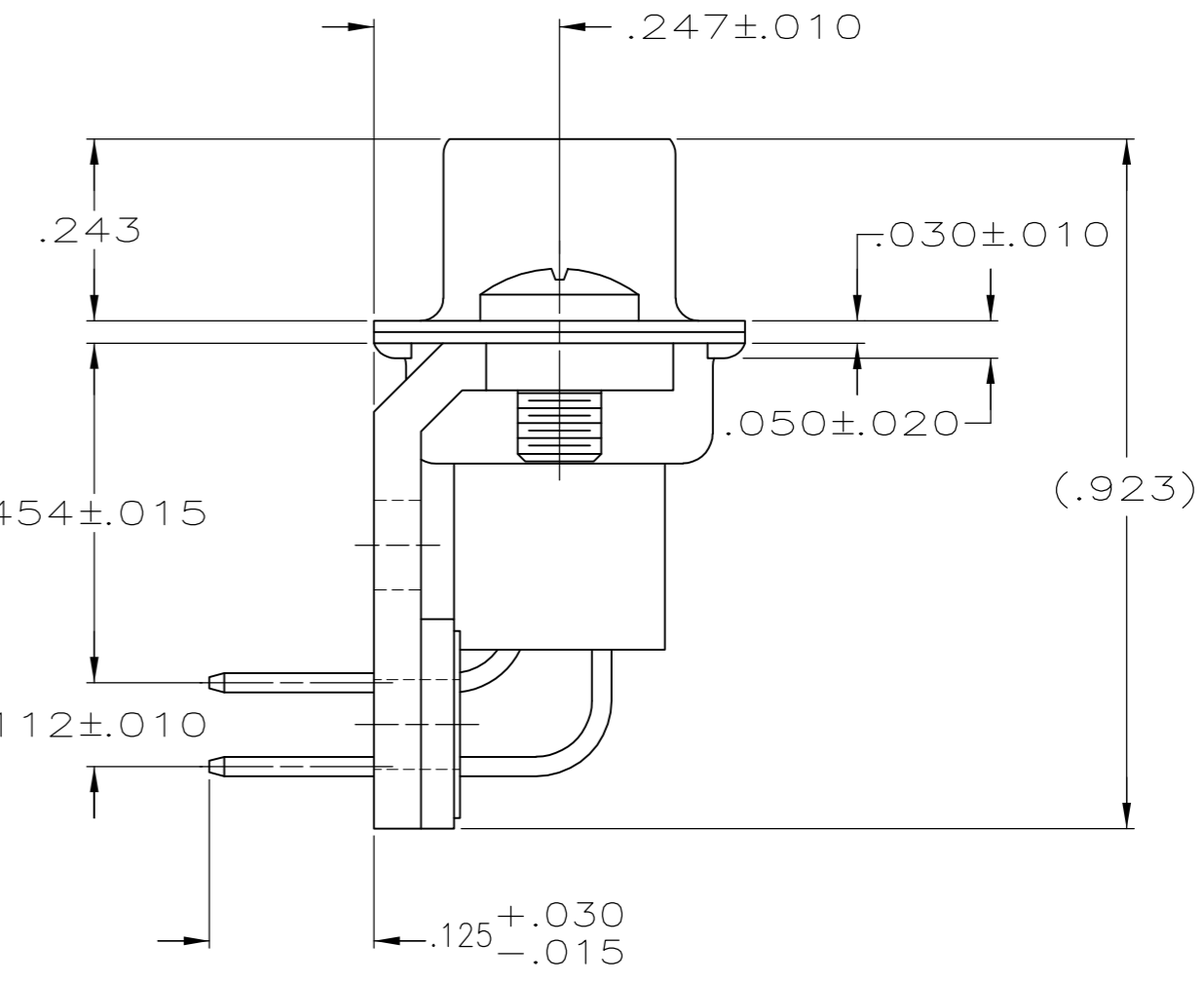
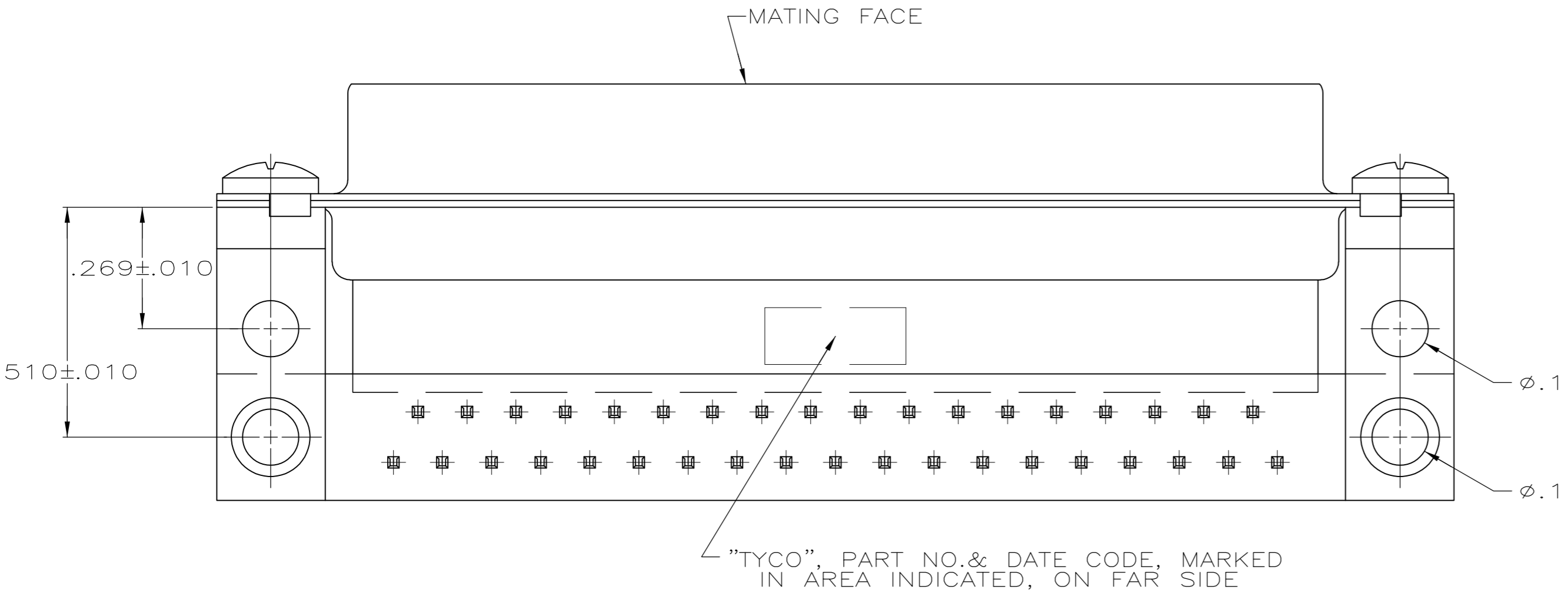


THIS DRAWING IS UNPUBLISHED. RELEASED FOR PUBLICATION  
© COPYRIGHT 2005 By - ALL RIGHTS RESERVED.

LOC		DIST		REVISIONS			
P	LTR	DESCRIPTION		DATE	DWN	APVD	
GP	00	B		REVISED PER ECO-14-011808	11AUG2014	AP	SB



- ⚠ MOLDDED PARTS: GLASS-FILLED PBT OR GLASS-FILLED NYLON, UL94V-0 RATED. COLOR: BLACK.  
SHELLS & BRACKETS: CARBON STEEL.  
CONTACTS: PHOSPHOR BRONZE.
- ⚠ SHELLS: .000200 MIN TIN OVER .000100 MIN COPPER.  
BRACKETS: .000200 MIN TIN OVER .000050 MIN COPPER.  
CONTACTS: .000030 MIN GOLD FOR A LENGTH OF .100 MIN FROM MATING END, .000100 MIN TIN ON OPPOSITE END, BOTH OVER .000050 MIN NICKEL.  
-OR-  
GOLD FLASH OVER .000030 MIN PALLADIUM NICKEL PLATED FOR A LENGTH OF .100 MIN FROM MATING END, .000100 MIN TIN ON OPPOSITE END, BOTH OVER .000050 MIN NICKEL.



P.C. BOARD MOUNTING DIMENSIONS

5745441-4  
PART NUMBER

THIS DRAWING IS A CONTROLLED DOCUMENT.		DWN D. HENNY 8-31-05	TE Connectivity
DIMENSIONS: INCHES		CHK S. BOLASH 8-31-05	
TOLERANCES UNLESS OTHERWISE SPECIFIED:		APVD M. WALMSLEY 8-31-05	NAME RECEPTACLE ASSEMBLY, SIZE 4, 37 POSITION, RIGHT ANGLE, .454 SERIES, .025 SQ. POSTS, AMPLIMITE HDP
0 PLC ± -		PRODUCT SPEC 108-40025	
1 PLC ± -		APPLICATION SPEC 114-40013	SIZE A2
2 PLC ± -		WEIGHT -	CAGE CODE 00779
3 PLC ± .005		CUSTOMER DRAWING	DRAWING NO C=5745441
4 PLC ± -		SCALE 4:1	SHEET 1 of 1
ANGLES ± 2°		RESTRICTED TO -	REV B
MATERIAL ⚠	FINISH ⚠		