

ALS75-24

Description:

The ALS75-24 is a single output power supply. It provides a DC output power in a cost-effective open frame package. Excellent performance specifications are provided, together with compliance to European EMC (EN55022, Class A), and Low Voltage directive (TUV EN60950).

Specifications (@25C)

Input Characteristics:

| | |
|------------------------|------------------------------------|
| Input Voltage (5): | 110/220Vac (90-260Vac, 120-370Vdc) |
| Input Frequency Range: | 47-63Hz |
| Max Input Current: | 1.8A @ 110Vac; 0.9A @ 220Vac |
| Max Inrush Current: | 30A @ 220Vac |
| Hold-Up Time: | 17ms typ @ 110Vac, 100% Load |

Output Characteristics:

| | |
|-------------------------------|--|
| Output Voltage: | 24.0Vdc |
| Output Current (1,6): | 3.1A |
| Output Power (1): | 75W |
| Ripple & Noise (20MHz BW): | 100mV |
| Line Regulation (4): | 1.0% |
| Load Regulation (3): | 2.0% |
| Temperature Drift: | 0.02%/°C |
| Rise-UP Time: | 500ms max, 110Vac, 100% Load |
| Over Current Protection: | Shutdown, O.C.P Point>120%, recycle AC supply to recover |
| Over Voltage Protection: | >105% Zener across output |
| Short Circuit Protection: | Unit shutdown, recycle AC supply to recover |
| Adj. O/P Voltage Range (1,2): | ±10% |

Environmental Specifications:

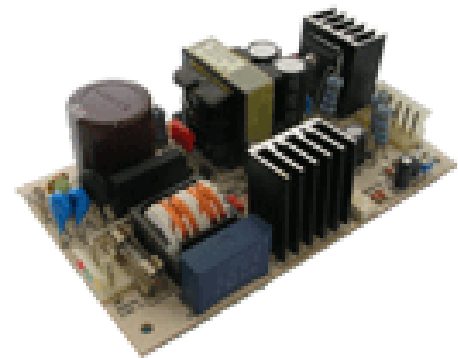
| | |
|------------------------|---|
| EMI (Conducted RFI): | Built to comply with EN55022-B |
| EFT: | Built to comply with IEC61000-4-4 |
| ESD: | Built to comply with IEC61000-4-2 |
| Surge: | Built to comply with IEC61000-4-5 |
| Operating Temperature: | Convection cooling 0 to 50°C:100%; 60°C:70% |
| Operating Humidity: | 30% to 90% RH |
| Storage Temperature: | -25 to 85°C |
| Storage Humidity: | 10% to 95% RH |
| Cooling: | Convection cooling |
| Vibration: | 1min sweep 10-55Hz, 2G Amplitude, X,Y,Z axis 1hr each |
| Shock: | <20G |

General Specifications:

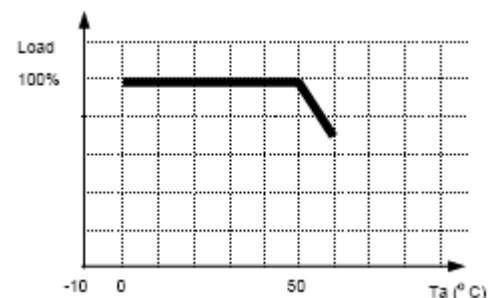
| | |
|---------------------|---------------------------|
| Efficiency: | 70% Typical |
| Dimensions (WxLxH): | 76.20x127x42mm |
| Weight: | 350g |
| Warranty: | 2 years @ 40°C, 100% Load |

Safety Standards:

| | |
|------------------------|--|
| Standard: | UL 60950 (UL File No: E204980) TUV EN60950 (TUV No: 50070245) |
| Dielectric Strength: | I/P-O/P:3kVac, I/P-FG:2.5kVac, <10mA, 1min |
| Insulation Resistance: | O/P-FG: 5000VDC>100Mohms |



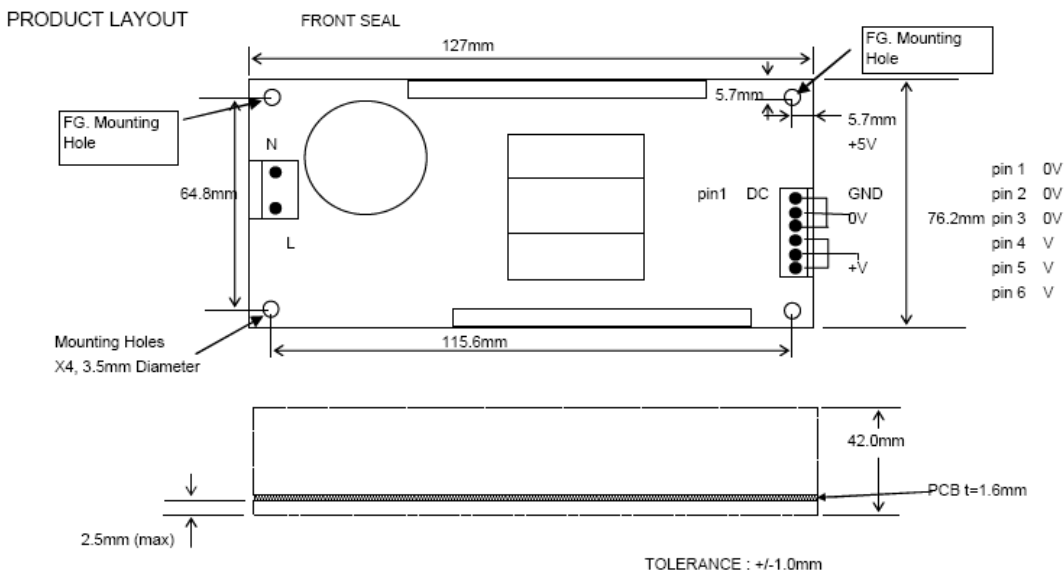
DERATING CURVE



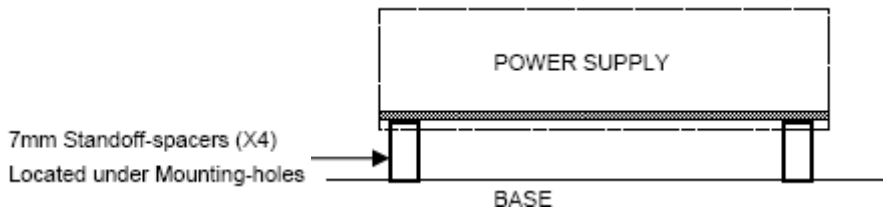
Technical Notes:

1. Throughout V_{in} range. V_{out} must be measured as near as possible to the power supply.
2. Total output power by any combination of channel must not exceed $P_{out(m)}$.
3. V_{out} deviation as I_{out} varies from $I_{o(min)}$ - $I_{o(max)}$.
4. V_{out} deviation as V_{in} varies from 90-0260Vac.
5. Where UL and CSA is concerned, official rated input voltage range is 100-120Vac/200-240 Vac.

Outline Dimensions (mm):



Mounting Method:



Connector Types:

AC Housing: Molex 09-50-3031
DC Housing: Molex 09-50-3061

Crimp Terminals: Molex 08-50-0105
Crimp Terminals: Molex 08-50-0105

RoHS Compliance: As of manufacturing date February 2016, all standard products meet the requirements of 2015/863/EU, known as the RoHS 3 initiative.

* Upon printing, this document is considered "uncontrolled". Please contact Triad Magnetics' website for the most current version.