



MADE
IN THE **USA**

Related Products (each sold separately):

- FS001-0111: Wax Paper Dispenser - PETG Plastic (shown below)



Product Description:

- Wax Paper Dispenser
- Holds one box deli-style wax paper sheets
- Two-way keyholes for vertical or horizontal wall mounting, or can sit on a counter
- Stainless Steel

Primary Area for Product Usage:

- Anywhere food service supplies are needed

Dispenses:

- Box(es) no larger than 10.50"L x 6.00"W x 2.56"D (26.7 cm x 15.2 cm x 6.5 cm)

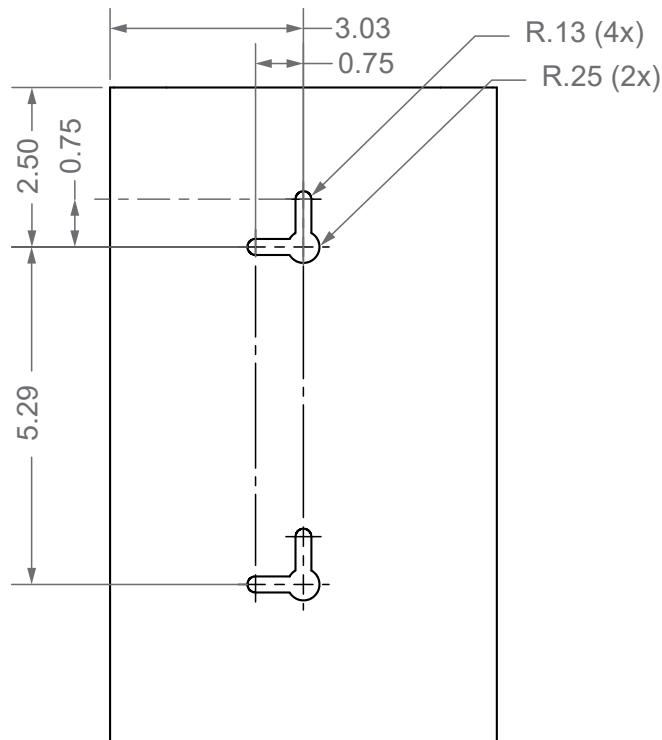
Package Specifications:

- Package Quantity: 12 per case
- 16"L x 12"W x 12"H (40.6 cm x 30.5 cm x 30.5 cm)
- 9.0 lbs (8.6 kg) - approximated

Product Specifications (overall external dimensions):

- 6.06"W x 10.29"H x 2.62"D (15.4 cm x 26.1 cm x 6.7 cm)
- 1.4 lbs (0.6 kg) - approximated

Mounting Specifications:

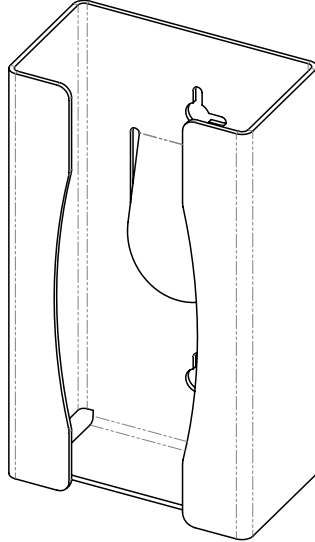




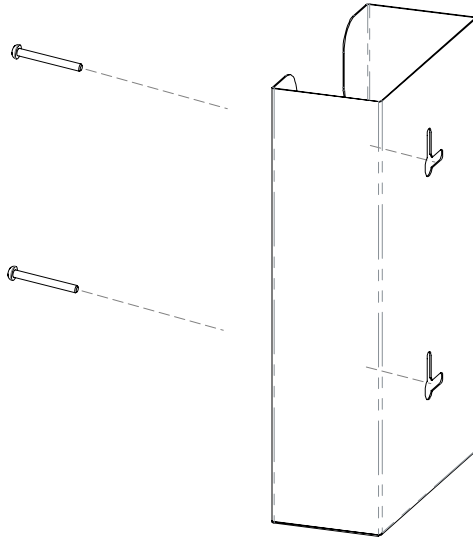
Installation

Always mount dispensers securely *prior* to loading with product.

- Flexible tab in back holds box forward for stability.



- Mount securely to a wall with screws approved and supplied by building maintenance.



Parts included:

- Dispenser

Tools Required:

- No tools required to assemble dispenser

Care and Construction Stainless Steel

Material Characteristics

Designed for Long-Term, Heavy-Duty Applications

By its nature, stainless steel is resistant to corrosion and oxidation, yet the bright, easily maintained surface provides a modern and attractive appearance.

Stainless steel is used overwhelmingly for its corrosion resistance characteristics. Along with being sturdy, stainless steel is also fire and heat resistant.

Stainless steel has work-hardening properties, giving the material a great strength-to-weight advantage over other materials. It also provides impact resistance and high toughness in extreme temperatures

Care and Cleaning

Stainless steel resists a variety of common chemicals and cleaning agents. Clean using warm water, a gentle detergent, and soft cloth. Dry thoroughly to avoid spotting. Do not use steel wool.