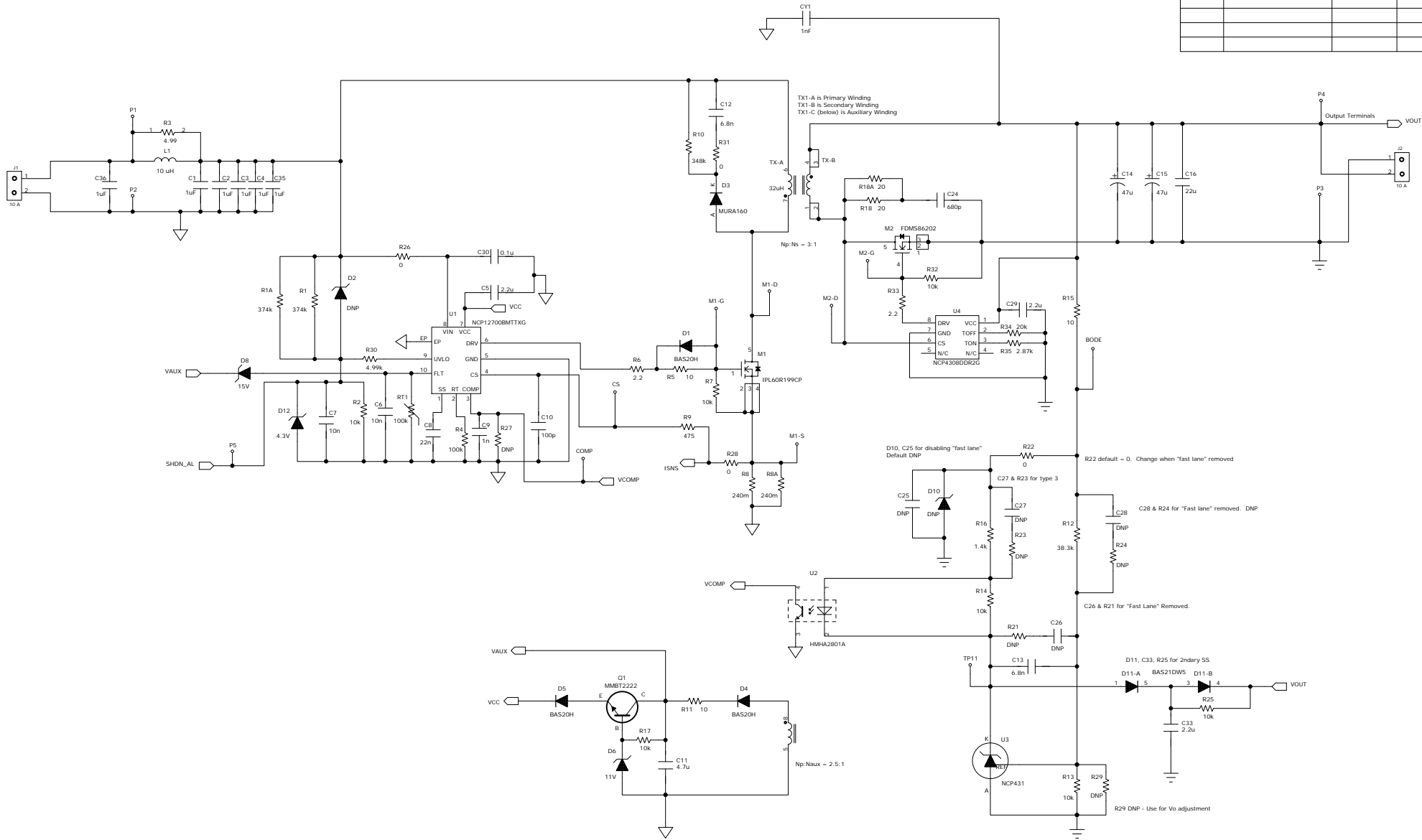


REVISION RECORD			
LTR	ECO NO:	APPROVED:	DATE:



COMPANY:			
TITLE:			
DRAWN:	DATED:	CODE:	SIZE:
CHECKED:	DATED:	DRAWING NO.:	
QUALITY CONTROL:	DATED:	REV:	
RELEASED:	DATED:	SCALE:	

C