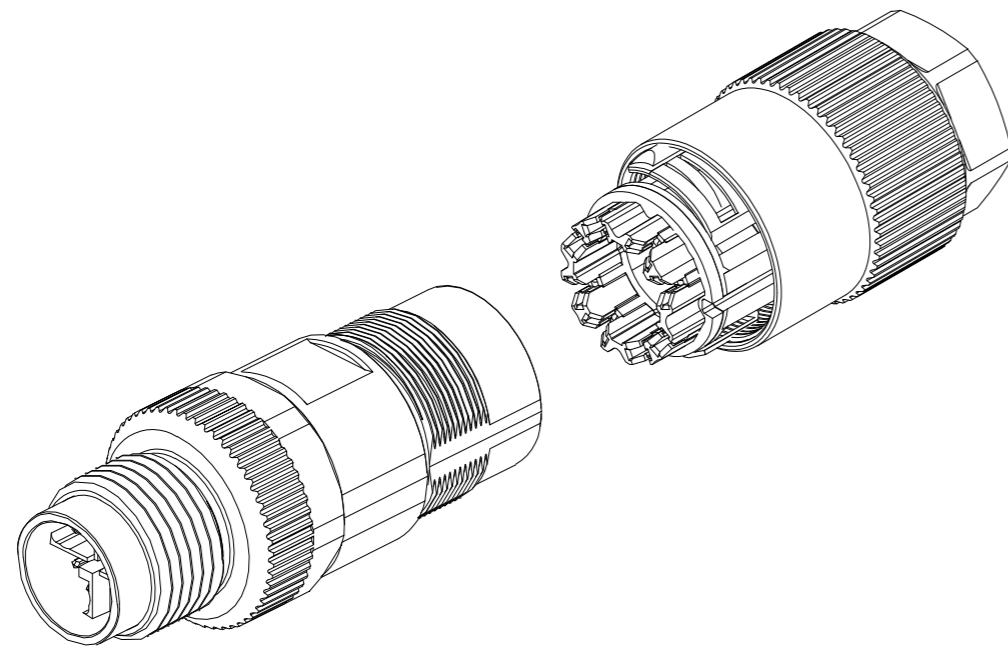
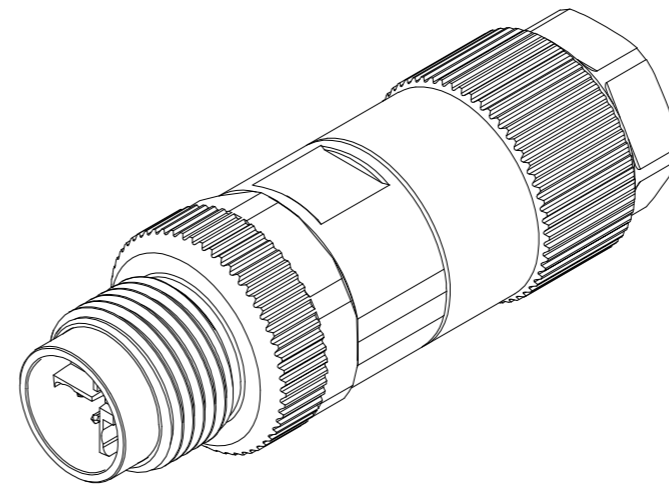


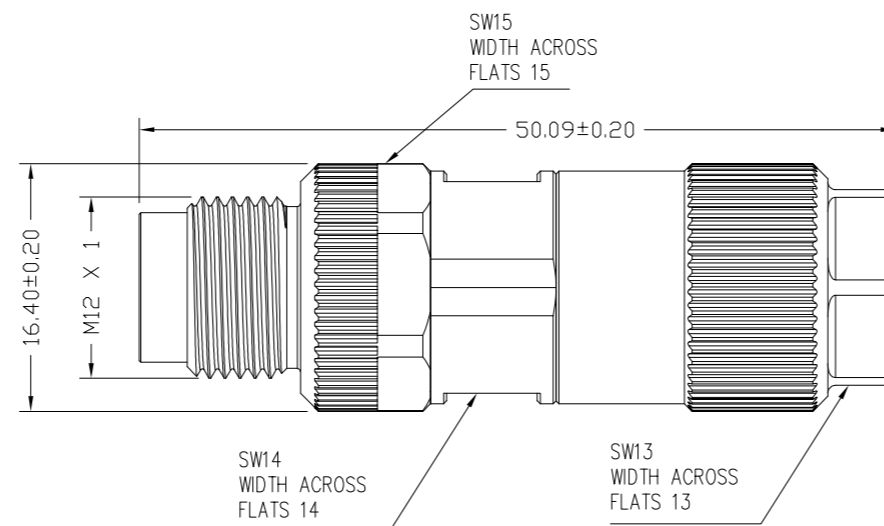
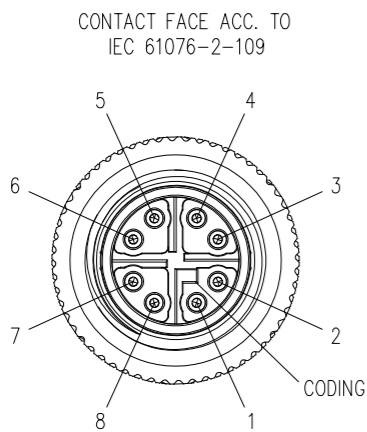
DATE	REV	REVISION CHANGES	ECN	APP'D. BY
09/17/19	A0	AS DRAWN	-	ADB
01/24/20	A1	ADDED ISOMETRIC VIEW OF AS SUPPLIED PLUG COMPONENTS. REVISED EXISTING ISOMETRIC VIEW TO SHOW ASSEMBLED STATE. 50.69±0.20 WAS 50.09 AND 16.40±0.20 WAS 16.40.	11594	ADB
03/23/20	A2	REVISED NOTES 4-6, ADDED NOTE 15, ADDED PIN # WIRE COLOR CROSS REFERENCE TABLE.	11524	ADB



ISOMETRIC VIEW – AS SUPPLIED COMPONENTS



ISOMETRIC VIEW – ASSEMBLED STATE



NOTES:

- CONNECTOR MATERIALS:  
HOUSING: THERMOPLASTIC UL94 V-0  
CONTACTS: COPPER ALLOY  
SHELL: COPPER ALLOYS AND ZINC ALLOY  
SEALING: NBR  
CONTACT PLATING: UNDERPLATE: 50u"~70u" NICKEL  
CONTACT AREA: 10u" GOLD  
IDC AREA: 80-120u" TIN PLATED
- FOR PRODUCT SPECIFICATIONS SEE PRO39-01
- DIMENSIONS AND TOLERANCES COMPLY WITH IEC 61076-2-109 STANDARD
- PLUG ACCOMMODATES CABLE OD Ø6.8 – Ø9.0
- CODING TYPE: X
- IDC ACCOMMODATES 24-26 AWG WIRE, SOLID OR STRANDED, UP TO Ø1.1 PRIMARY INSULATION
- CURRENT RATING: 0.5 AMPS MAX PER CONTACT
- INSULATION RESISTANCE: 100 MOHMS MIN @ 500 VDC
- VOLTAGE RATING: 48V PER CONTACT
- CONTACT RESISTANCE: 5mΩ MAX
- DIELECTRIC WITHSTAND VOLTAGE: 500 VDC
- DEGREE OF PROTECTION: IP67
- TEMPERATURE RANGE: -40°C TO +90°C
- MATING CYCLES: 100 INSERTIONS
- FOR TERMINATION INSTRUCTIONS, SEE METHOD MN120003.

PIN NUMBER / WIRE COLOR CROSS REFERENCE		
IEC 61076-2-109	TIA/EIA 568B	WIRE COLOR
1	1	WHITE-ORANGE
2	2	ORANGE
3	3	WHITE-GREEN
4	6	GREEN
5	7	WHITE-BROWN
6	8	BROWN
7	5	WHITE-BLUE
8	4	BLUE

SS-12400-001  
PART NUMBER

THIRD ANGLE PROJECTION

DO NOT SCALE DRAWING  
DRAWING IS SUBJECT TO CHANGE WITHOUT NOTICE

UNLESS OTHERWISE SPECIFIED TOLERANCES ARE ± 0.13 ANGLES ARE ± 1°

SHEET NO. 1 OF 1

1118 Susquehanna Trail South  
Gen Rock, PA 17327-9199  
(717) 235-7512  
<http://www.stewartconnector.com>

**stewart**  
CONNECTOR  
a bel group

THIS DRAWING AND THE SUBJECT MATTER SHOWN THEREON ARE CONFIDENTIAL AND THE PROPRIETARY PROPERTY OF STEWART CONNECTOR AND SHALL NOT BE REPRODUCED, COPIED, OR USED IN ANY MANNER WITHOUT PRIOR WRITTEN CONSENT OF STEWART CONNECTOR. ONE OR MORE U.S. PATENTS MAY APPLY TO THIS PRODUCT. FOR DETAILS, PLEASE VISIT: [HTTP://BELFUSE.COM/STEWART/STEWART\\_PATENTS/](http://BELFUSE.COM/STEWART/STEWART_PATENTS/)

TITLE: Field Terminated Plug with IDCs, M12 X-Code, Male

DRN BY: JMM DATE: 09/16/19  
APP'D BY: ADB DATE: 09/17/19  
DWG NO: CT120013 REV: A2



AutoCAD AT Metric