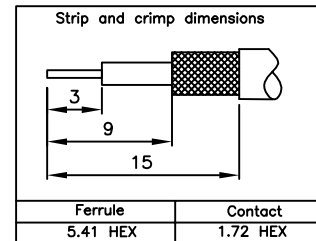
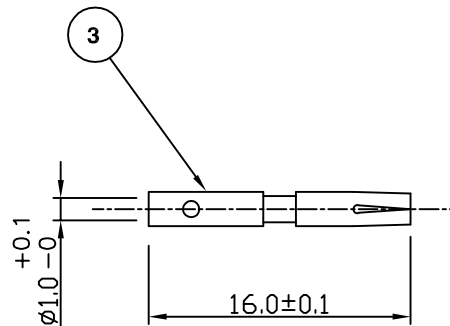
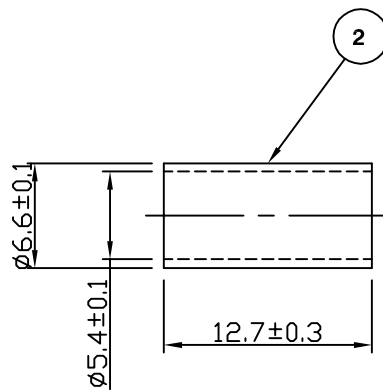
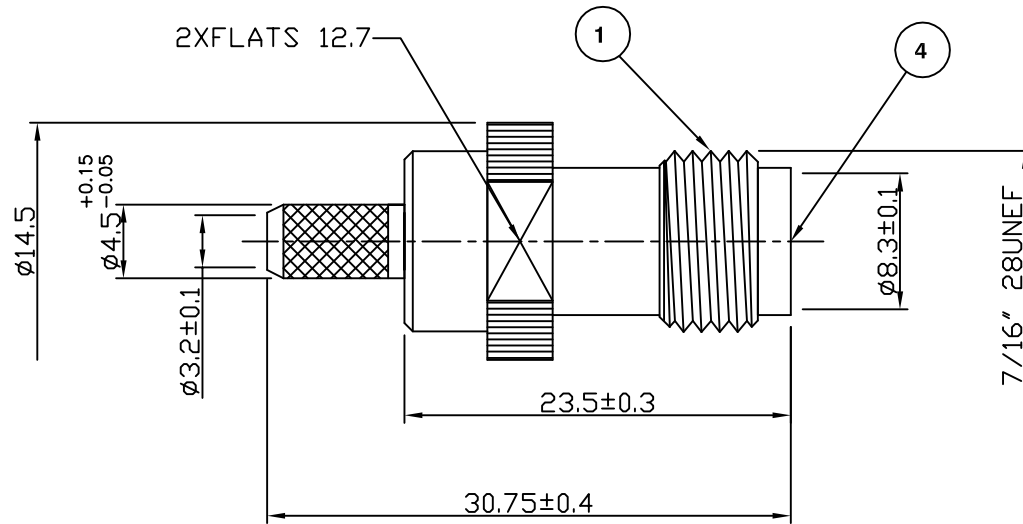


RoHS COMPLIANT



For stripping and assembly instructions see Drawing Number: VAIT3101

Electrical Characteristics

| | |
|-------------------------------------|-----------------------------|
| Nominal Impedance: | 50 ohms |
| Frequency Range: | DC to 11 GHz |
| VSWR: | 1.35:1 maximum |
| Insertion Loss: | 0.2 dB at 3 GHz |
| Operating Voltage (rms): | 500 V maximum at sea level |
| Dielectric Withstand Voltage (rms): | 1500 V maximum at sea level |
| Contact Resistance: | 1.5 milliohms maximum |
| Insulation Resistance: | 5000 megohms minimum |

Mechanical Characteristics

| | |
|-----------------------|------------------------|
| Mating Cycles: | 500 cycles minimum |
| Interface Dimensions: | Conform to MIL-C-39012 |

Environmental Characteristics

| | |
|--------------------|------------------|
| Temperature Range: | -55 °C to +85 °C |
|--------------------|------------------|

| PART | DESCRIPTION |
|------|---------------------------------|
| 1 | Body Brass, nickel plated |
| 2 | Ferrule Brass, nickel plated |
| 3 | Contact Brass, gold plated |
| 4 | Dielectric POM |

| | | | |
|-------------------------|-------|-----|-----------|
| CAD Issue | SN | 2 | 29 Jan 02 |
| First Issue | DW | 1 | 10 Mar 00 |
| DESCRIPTION OF REVISION | APPVD | ISS | DATE |



Cinch Connectivity Solutions
7-13 Russel Way,
Widford Industrial Estate,
Chelmsford,
Essex, CM1 3AA, UK
Tel: +44 (0) 1245 359515
Fax: +44 (0) 1245 358938

SCALE: Not To Scale

DIMENSIONS: mm

TOLERANCES:
± 0.2mm unless
otherwise stated

DRAWN BY:

S Nash

CHECKED BY:

P Couzens

APPROVED BY:

P Couzens

DATE:

29 Jan 02

TITLE:

TNC Crimp Jack for RG58

PART NUMBER:

VT30-2051

PAGE: 1 of 1