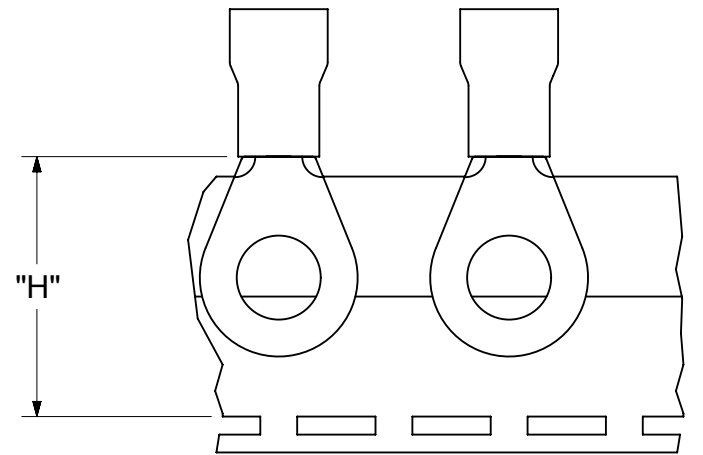
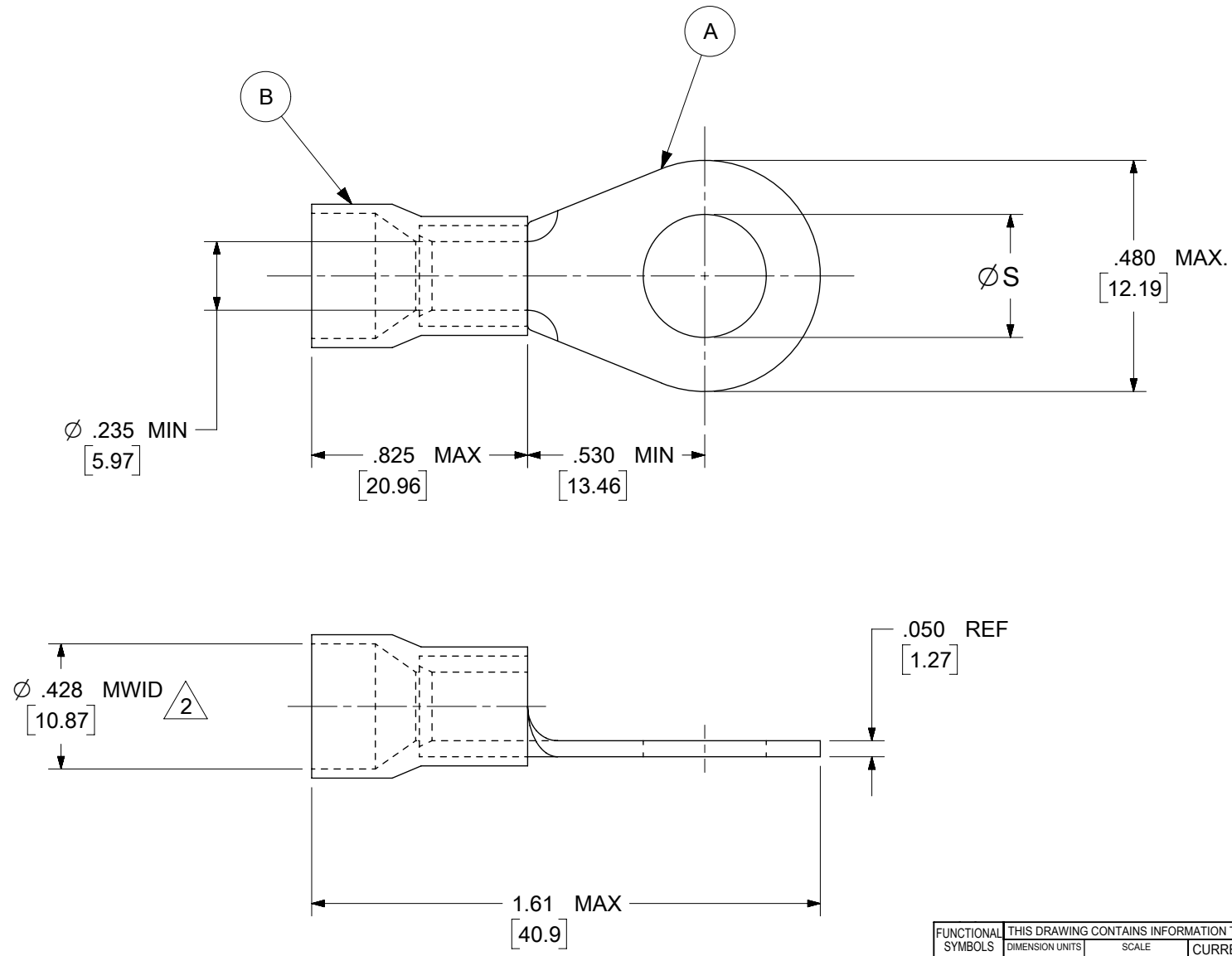


LOOSE PIECE		TAPE MOUNTED		SPECIFICATIONS		
MATERIAL NUMBER	ENGINEERING NUMBER	MATERIAL NUMBER	ENGINEERING NUMBER	STUD SIZE	"S" ±.005 [0.13]	"H" REF
190670067	E-960-08	---	---	8	.173 [4.39]	1.172 [29.77]
190670069	E-960-10	190670070	E-960-10T	10	.198 [5.03]	
190670071	E-960-14	190670072	E-960-14T	1/4	.265 [6.73]	
190670073	E-960-56	---	---	5/16	.328 [8.33]	

(B1)



PARTS ON TAPE

- NOTES:
- MATERIAL:
 - (A). TERMINAL: COPPER ALLOY
 - PLATING: ELECTRO-TIN (.0003 MIN.)
 - (B). INSULATION: NYLON, COLOR CODED BLUE
 - MWID: MAXIMUM WIRE INSULATION DIAMETER
 - WIRE SIZE: 6 AWG
16 MM²
 - ALL COMPONENTS ARE RoHS COMPLIANT.
 - DIMS. SHOWN ARE FOR REFERENCE ONLY.

THIS DRAWING CONTAINS INFORMATION THAT IS PROPRIETARY TO MOLEX ELECTRONIC TECHNOLOGIES, LLC AND SHOULD NOT BE USED WITHOUT WRITTEN PERMISSION										
FUNCTIONAL SYMBOLS	DIMENSION UNITS	SCALE	CURRENT REV DESC: MIGRATED TO ECTR/NX AND ADDED TAPED P/NS TO TABLE							
$\nabla_A = 0$	INCH/MM	NTS	EC NO: 639324 DRWN: ABENJAMINLW 2020/06/05 CHK'D: DMYRICK 2020/06/10 APPR: JMACNEIL 2020/06/11 INITIAL REVISION: DRWN: EHILE 2006/10/20 APPR: JMACNEIL 2006/10/20							
$\nabla_E = 0$	GENERAL TOLERANCES (UNLESS SPECIFIED)									
$\nabla_P = 0$	MM	INCH								
DIVISIONAL SYMBOLS	4 PLACES	±	---	±	---	PRODUCT CUSTOMER DRAWING				
	3 PLACES	±	---	±	---	DOCUMENT NUMBER		DOC TYPE	DOC PART	REVISION
	2 PLACES	±	---	±	---	SD-19067-016		PSD	001	B1
	1 PLACE	±	---	±	---	MATERIAL NUMBER		CUSTOMER		SHEET NUMBER
	0 PLACES	±	---	±	---	SEE CHART		GENERAL MARKET		1 OF 1
	ANGULAR TOL	±	---	THIRD ANGLE PROJECTION						
	DRAFT WHERE APPLICABLE MUST REMAIN WITHIN DIMENSIONS		DRAWING		SERIES	MATERIAL NUMBER		CUSTOMER		SHEET NUMBER
			B-SIZE		19067	SEE CHART		GENERAL MARKET		1 OF 1