

NOTES:

1) MATERIAL:

HOUSING: NYLON(PA), GLASS FILLED, UL94V-0, COLOR: SEE SHEETS 5 AND 6
 INSULATOR: NYLON(PA), GLASS FILLED, UL94V-0, COLOR: SEE SHEETS 5 AND 6
 TERMINALS: PHOSPHOR BRONZE, 0.30 mm THICK
 SHIELD: BRASS, 0.18 mm THICK

2) FINISH:

TERMINALS:

A = SELECT GOLD IN CONTACT AREA: 1.27 MICROMETERS MIN.,
 *SELECT TIN IN PC TAIL AREA: 2.54 MICROMETERS MIN.,
 WITH OVERALL NICKEL UNDERPLATE: 1.27 MICROMETERS MIN.
 B = SELECT GOLD IN CONTACT AREA: 0.76 MICROMETERS MIN.,
 *SELECT TIN IN PC TAIL AREA: 2.54 MICROMETERS MIN.,
 WITH OVERALL NICKEL UNDERPLATE: 1.27 MICROMETERS MIN.
 *THE PRIMARY SHIPPING CARTON WILL BE LABELED "COMPLIANT TO RoHS
 DIRECTIVE 2002/95/EC AND ELV ANNEX II OF DIRECTIVE 2000/53/EC".
 CARTONS WITHOUT THIS LABEL MAY CONTAIN PRODUCT WITH TIN-LEAD
 IN THE PC TAILS AND/OR SHIELD.

SHIELD:

2.54 MICROMETERS NICKEL OVER 1.27 MICROMETERS COPPER
 UNDERPLATE PCB GROUND TABS DIPPED IN TIN

3) PRODUCT SPECIFICATION AND PROCESSING PARAMETERS: PS-43202.

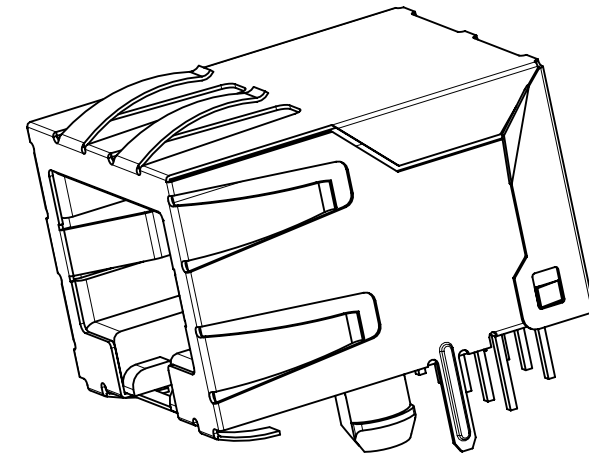
4) PACKAGING SPECIFICATION:

UNSHIELDED CONNECTOR ASSEMBLIES PACKAGED IN THERMOFORMED TRAYS
 PER MOLEX PACKAGING SPECIFICATION PK-43202-003.
 UNSHIELDED CONNECTOR ASSEMBLIES PACKAGED IN TUBES
 PER MOLEX PACKAGING SPECIFICATION PK-43202-005.
 SHIELDED CONNECTOR ASSEMBLIES PACKAGED IN THERMOFORMED TRAYS
 PER MOLEX PACKAGING SPECIFICATION PK-43202-004.

5) SEE SHEETS 7 - 9 FOR P.C. BOARD LAYOUTS.

6) CONFORMS TO FCC REGULATION PART 68.5 FOR MODULAR JACKS.

7) THIS PART CONFORMS TO CLASS B REQUIREMENTS OF COSMETIC
 SPECIFICATION PS-45499-002.



SHIELDED MODULAR JACK
 SHOWN WITH PANEL GROUND
 OPTION "D" AND FRONT
 PCB GROUND TABS

DRAWING LEGEND

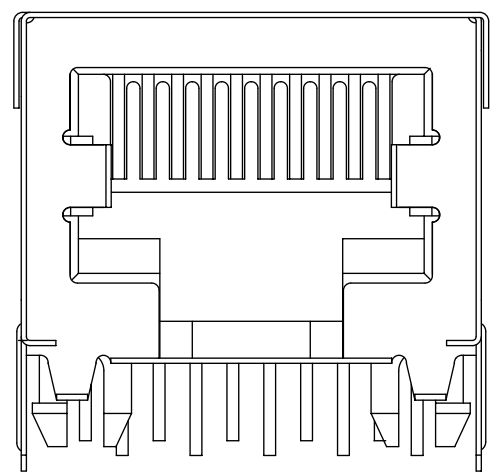
SHEET 1- NOTES, DRAWING LEGEND
 SHEET 2- SHIELDED MODULAR JACK W/ BOTTOM GROUND TABS
 SHEET 3- SHIELDED MODULAR JACK W/O BOTTOM GROUND TABS
 SHEET 4- UNSHIELDED MODULAR JACK
 SHEET 5- PART NUMBER CHARTS
 SHEET 6- PART NUMBER CHARTS
 SHEET 7- FOOTPRINT LAYOUT 4 POSITION HOUSING
 SHEET 8- FOOTPRINT LAYOUT 6 POSITION HOUSING
 SHEET 9- FOOTPRINT LAYOUT 8 POSITION HOUSING

THIS DRAWING CONTAINS INFORMATION THAT IS PROPRIETARY TO MOLEX ELECTRONIC TECHNOLOGIES, LLC AND SHOULD NOT BE USED WITHOUT WRITTEN PERMISSION										
FUNCTIONAL SYMBOLS	DIMENSION UNITS	SCALE	CURRENT REV DESC: MIGRATION TO NX							
$\nabla = 0$	mm	3:1	EC NO: 704381 DRWN: FAYEW 2022/04/18 CHKD: KLANG 2022/05/16 APPR: KLANG 2022/05/16 INITIAL REVISION: DRWN: RFC_PLMIMP 2018/11/02 APPR: REDGLEY 2000/10/17							
$\nabla = 0$	GENERAL TOLERANCES (UNLESS SPECIFIED)									
$\nabla = 0$	ANGULAR TOL $\pm 0.5^\circ$									
DIVISIONAL SYMBOLS	4 PLACES \pm	3 PLACES \pm	PRODUCT CUSTOMER DRAWING				DOCUMENT NUMBER	DOC TYPE	DOC PART	REVISION
	2 PLACES ± 0.25	1 PLACE ± 0.36	SDA-43202				PSD	001	L9	
	0 PLACES \pm		MATERIAL NUMBER		CUSTOMER		SHEET NUMBER			
	DRAFT WHERE APPLICABLE MUST REMAIN WITHIN DIMENSIONS		THIRD ANGLE PROJECTION	DRAWING	SERIES	GENERAL MARKET		1 OF 9		

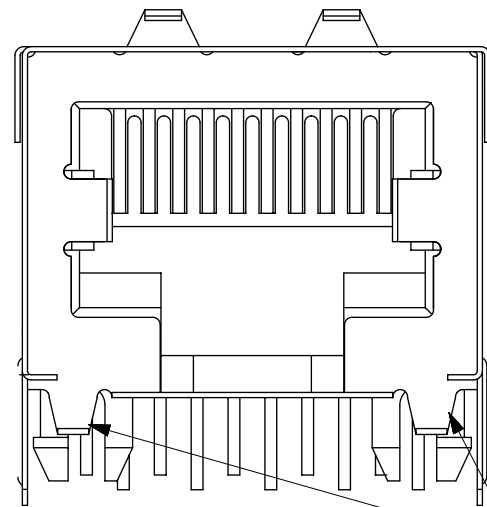
SHIELD MODULAR JACK W/BOTTOM GROUND TABS

SIZE 8 LOADED 10 VERSION SHOWN

SIDE/TOP GROUND TAB OPTIONS FOR SHIELDS



OPTION "A"
NO TOP OR SIDE TABS

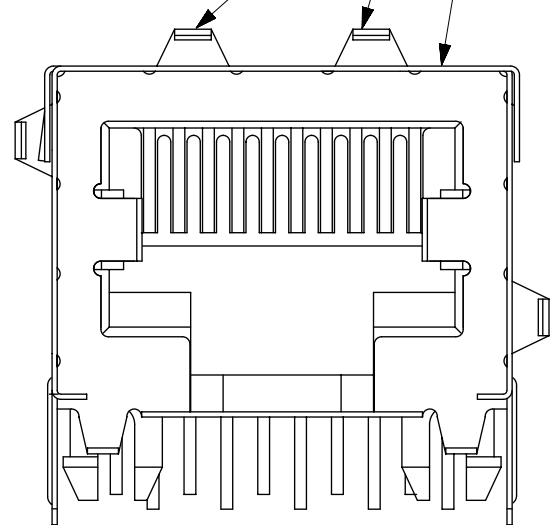


OPTION "B"
TOP TABS
BOTTOM GROUND TABS

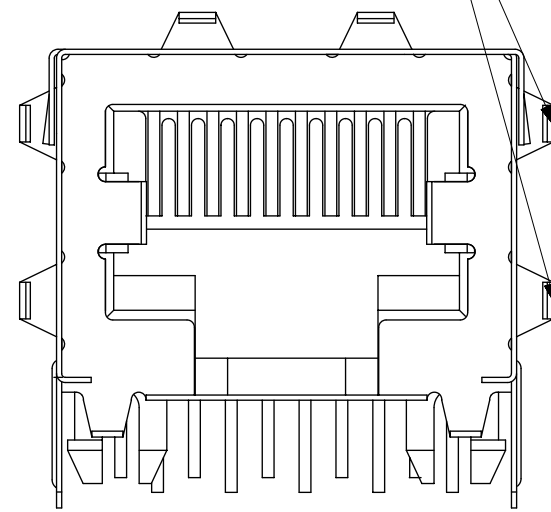
OPTIONAL TOP GROUND TABS

SHIELDED MODULAR JACK ASSEMBLY SEE SHEET 5 FOR MATERIAL NO.

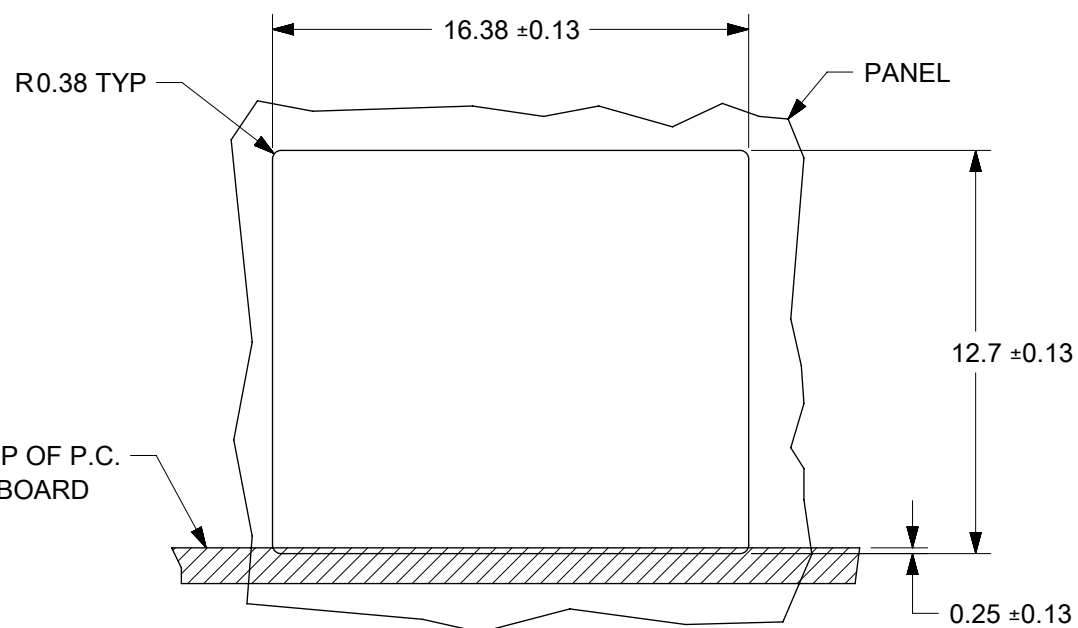
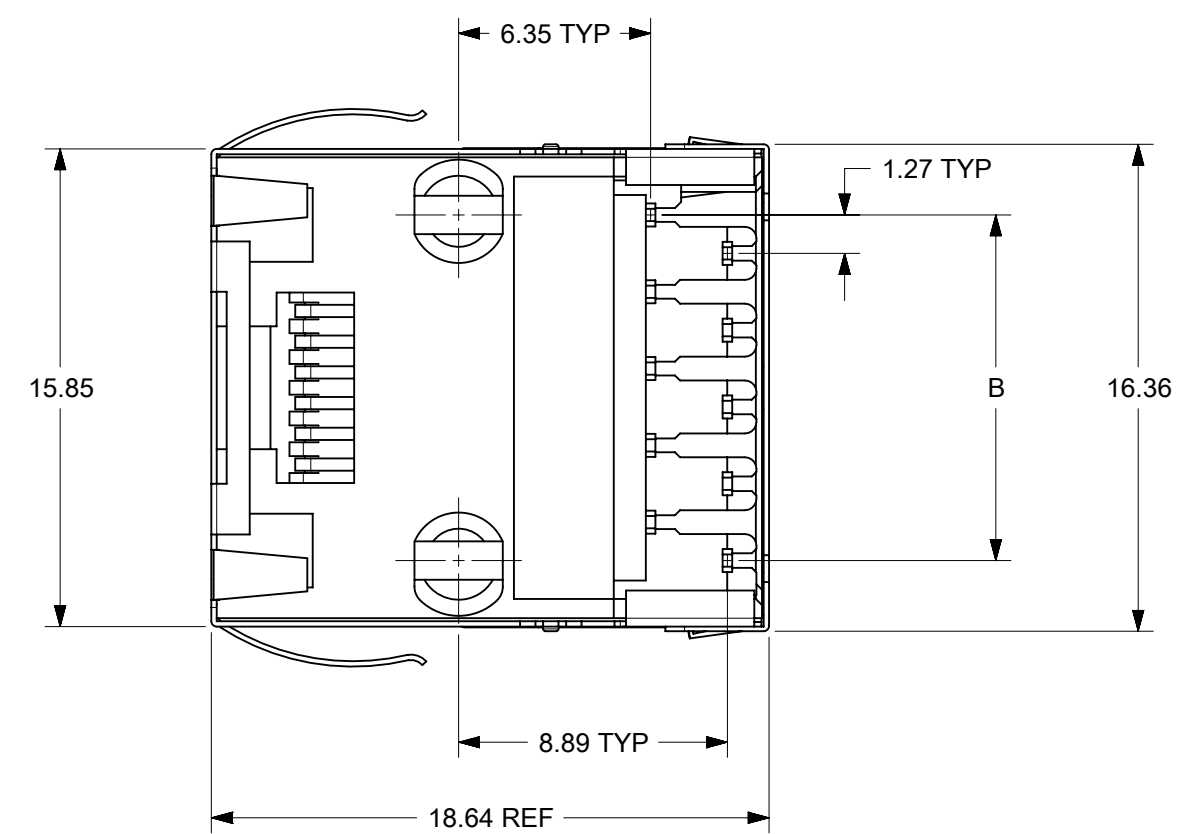
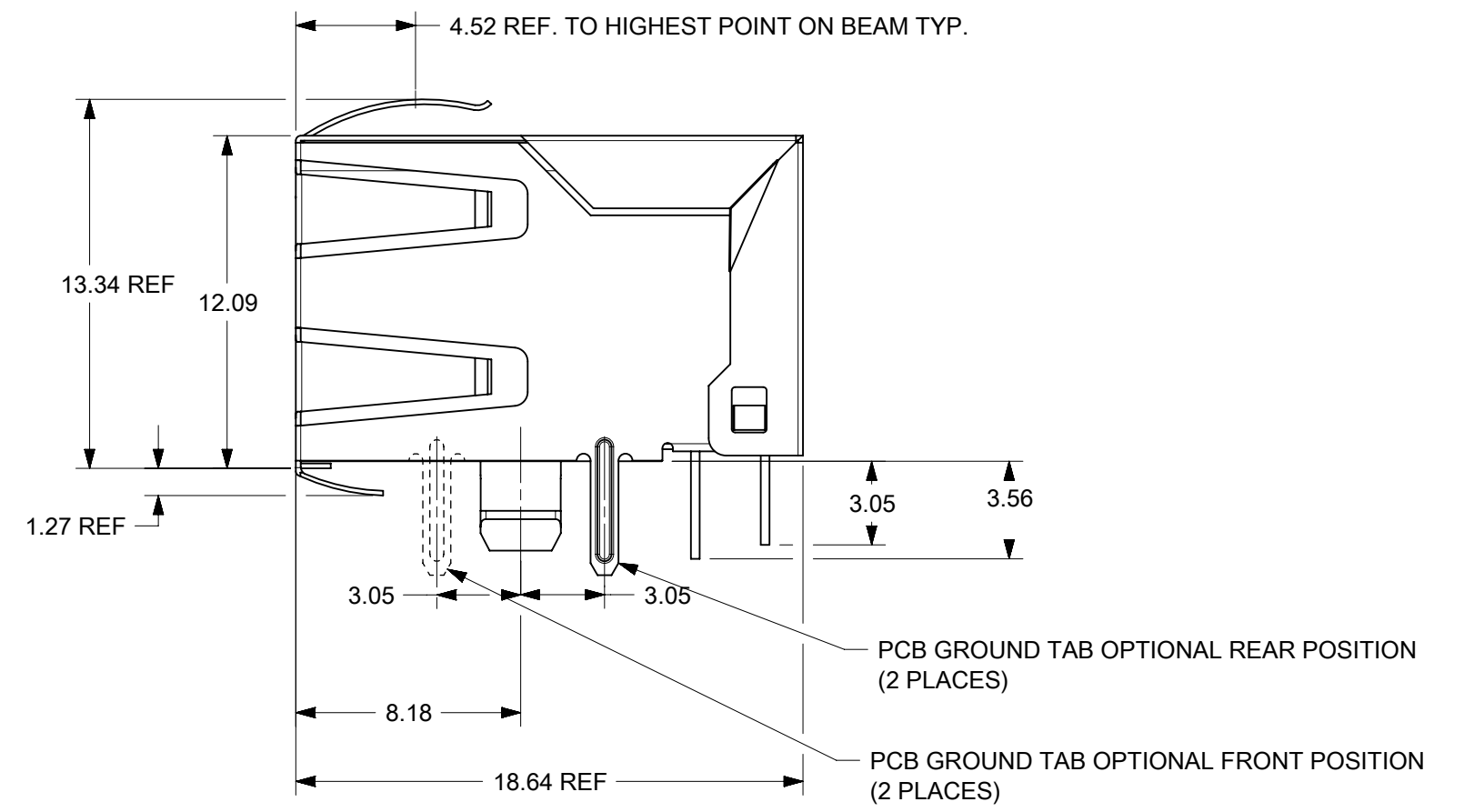
OPTIONAL SIDE GROUND TABS (2 PLACES)



OPTION "C"
TOP AND STAGGERED SIDE TABS



OPTION "D"
TOP AND SIDE TABS



PANEL CUT-OUT
(SHIELDED W/BOTTOM GROUND TABS)

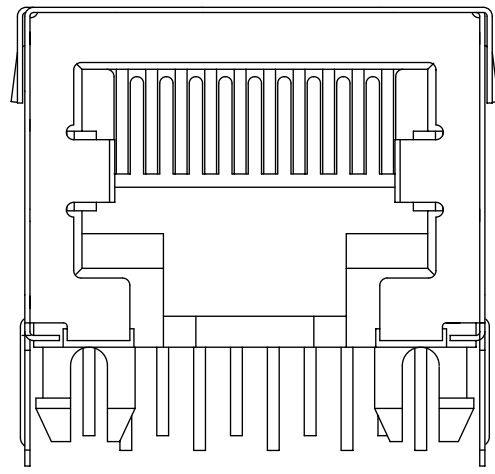
HOUSING SIZE	CIRCUIT SIZE	B
8	10	11.43±0.13
8	8	8.89±0.13

FUNCTIONAL SYMBOLS $\nabla_A = 0$ $\nabla_C = 0$ $\nabla_P = 0$	THIS DRAWING CONTAINS INFORMATION THAT IS PROPRIETARY TO MOLEX ELECTRONIC TECHNOLOGIES, LLC AND SHOULD NOT BE USED WITHOUT WRITTEN PERMISSION		CURRENT REV DESC: MIGRATION TO NX	
	DIMENSION UNITS	SCALE		
	mm	4:1		
GENERAL TOLERANCES (UNLESS SPECIFIED)		EC NO: 704381		2022/04/18
ANGULAR TOL ± 0.5°		DRWN: FAYEW		2022/05/16
4 PLACES ±		CHK'D: KLANG		2022/05/16
3 PLACES ±		APPR: KLANG		
2 PLACES ± 0.25		INITIAL REVISION:		
1 PLACE ± 0.36		DRWN: RFC_PLMIMP		2018/11/02
0 PLACES ±		APPR: REDGLEY		2000/10/17
DRAFT WHERE APPLICABLE MUST REMAIN WITHIN DIMENSIONS		THIRD ANGLE PROJECTION	DRAWING	SERIES
			C-SIZE	43202
DOCUMENT STATUS		DOCUMENT NUMBER		DOC TYPE
P1	RELEASE DATE	SDA-43202		PSD
2022/05/16	17:27:51	CUSTOMER		DOC PART
		GENERAL MARKET		001
		SHEET NUMBER		REVISION
		2 OF 9		L9

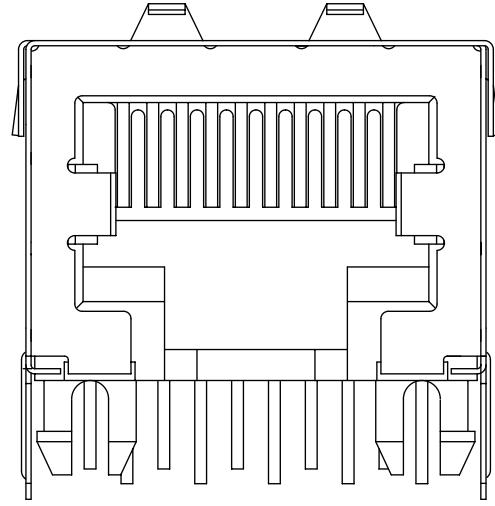
SHIELDED MODULAR JACK W/O BOTTOM GROUND TABS

SIZE 8, LOADED 10 VERSION SHOWN

SIDE/TOP GROUND TAB OPTIONS FOR SHIELDS



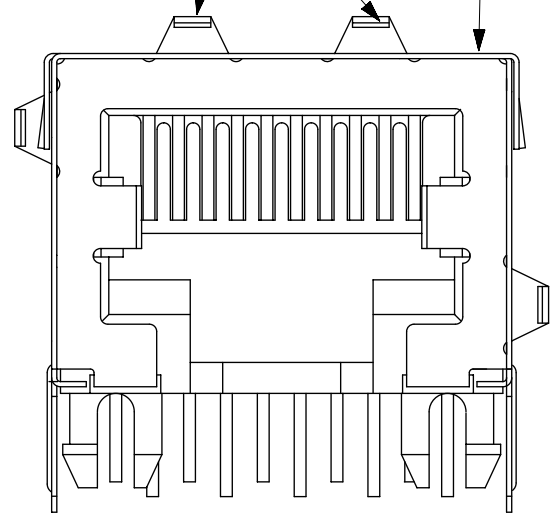
OPTION "E"
NO TOP OR SIDE TABS



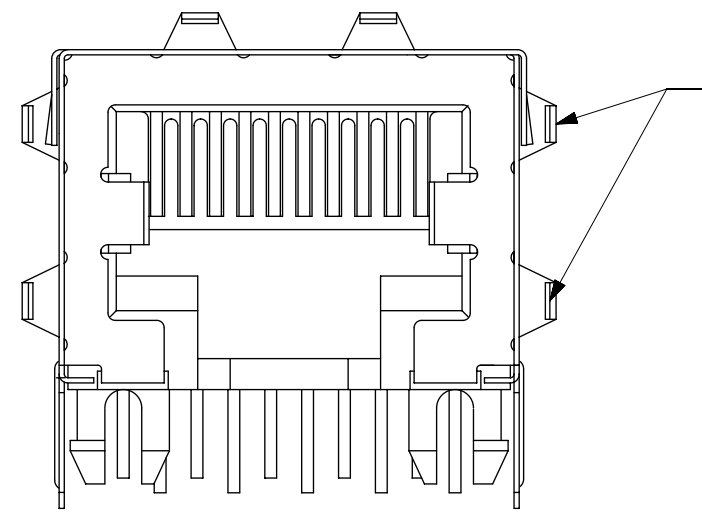
OPTION "F"
TOP TABS

OPTIONAL GROUND TABS

SHIELDED MODULAR JACK ASSEMBLY
SEE SHEET 6 FOR MATERIAL NO.

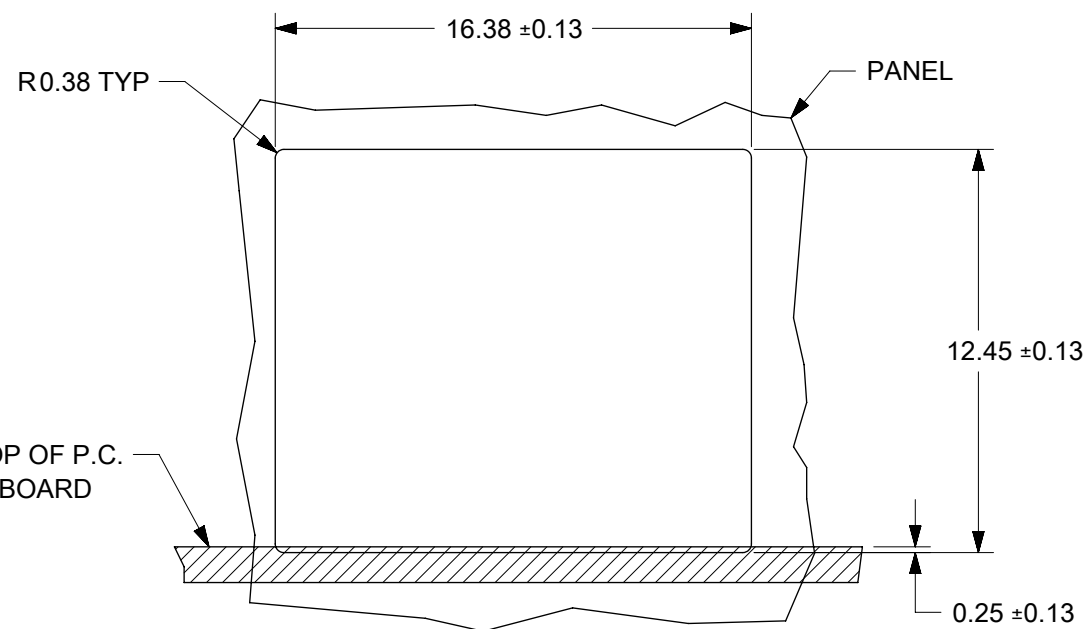


OPTION "G"
TOP AND STAGGERED SIDE TABS



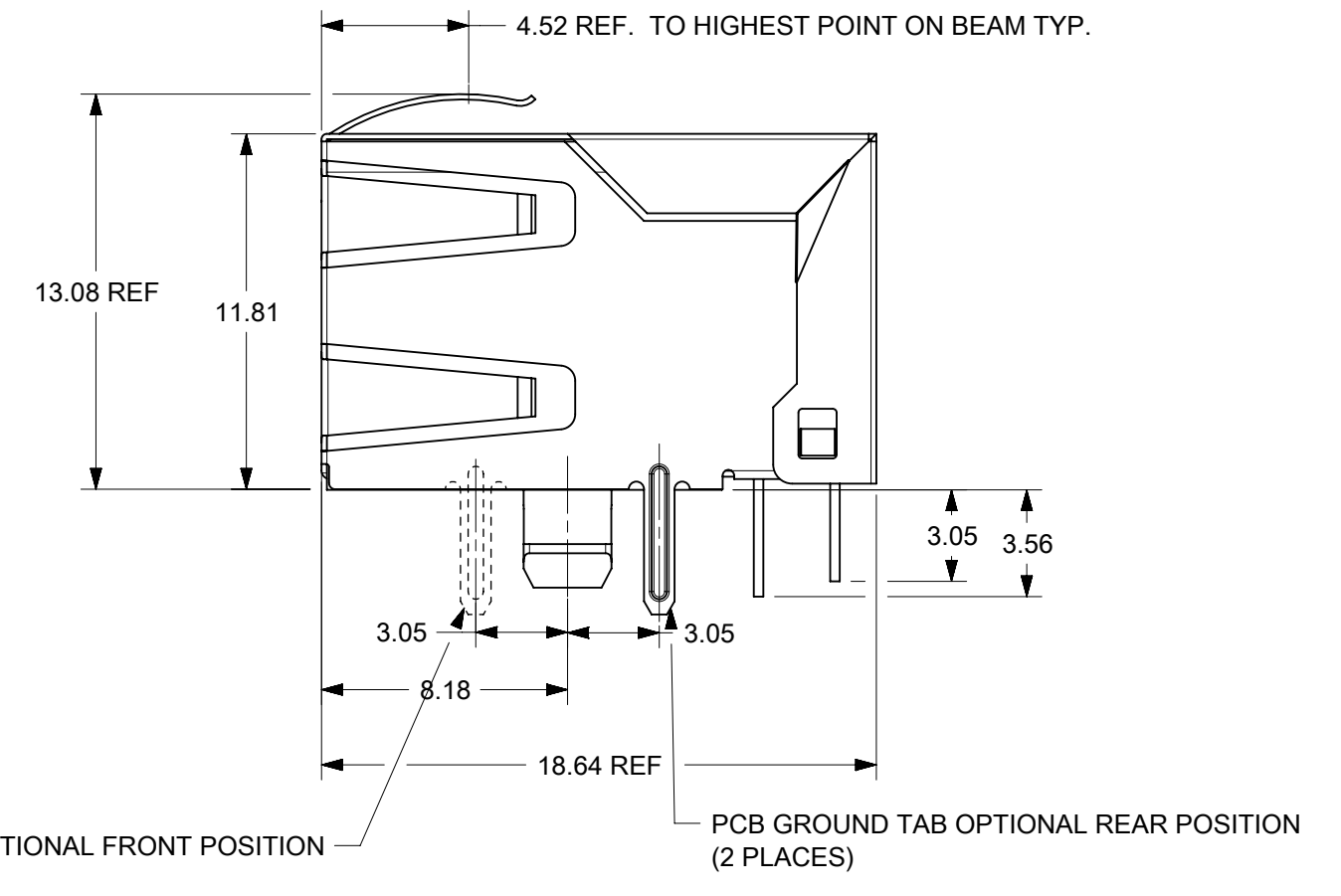
OPTION "H"
TOP AND SIDE TABS

OPTIONAL SIDE
GROUND TABS
(2 PLACES)



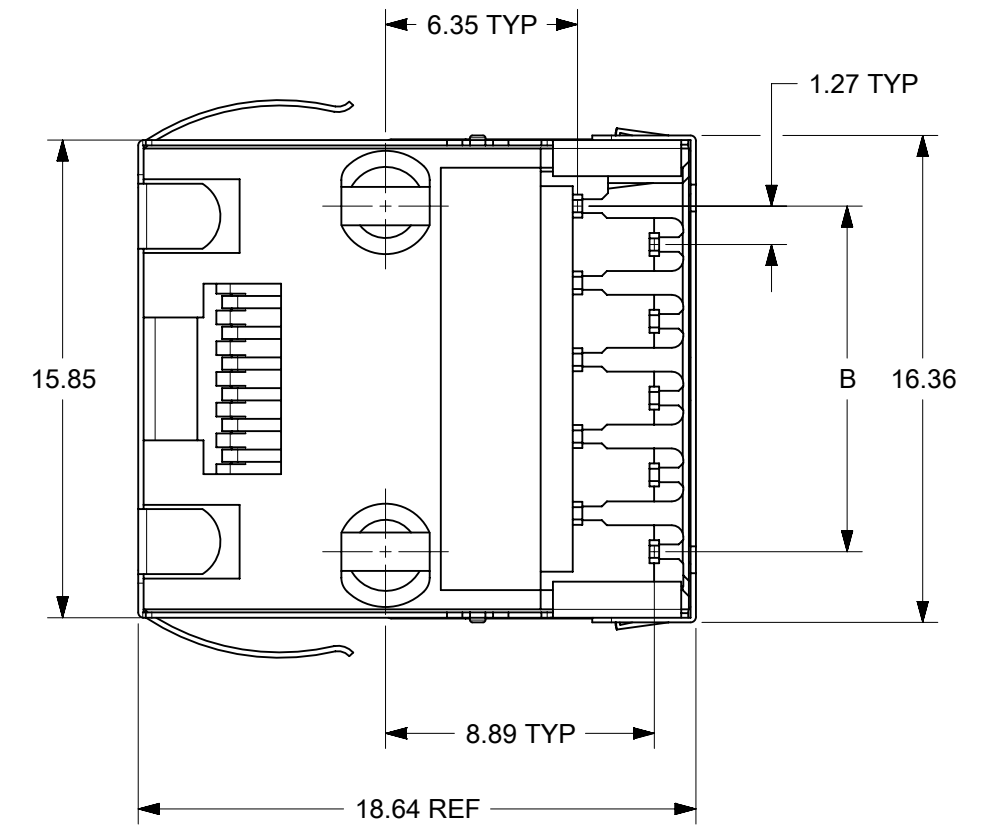
PANEL CUT-OUT
(SHIELDED W/O BOTTOM GROUND TABS)

HOUSING SIZE	CIRCUIT SIZE	DIM. B
8	10	11.43±0.13
8	8	8.89±0.13



PCB GROUND TAB OPTIONAL FRONT POSITION
(2 PLACES)

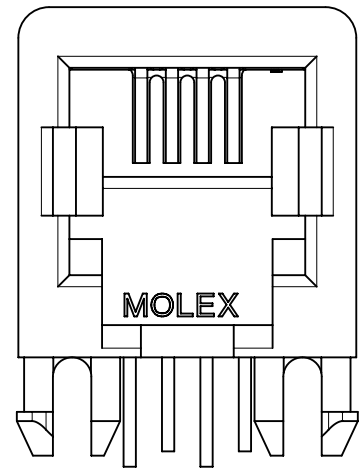
PCB GROUND TAB OPTIONAL REAR POSITION
(2 PLACES)



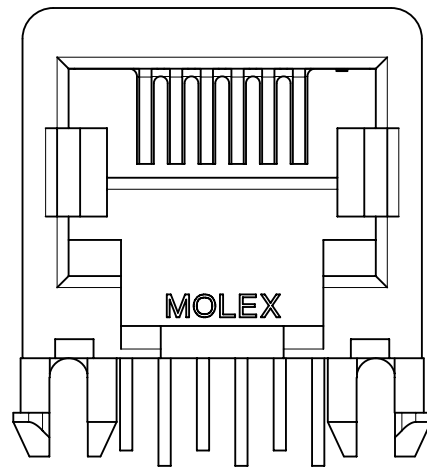
FUNCTIONAL SYMBOLS		THIS DRAWING CONTAINS INFORMATION THAT IS PROPRIETARY TO MOLEX ELECTRONIC TECHNOLOGIES, LLC AND SHOULD NOT BE USED WITHOUT WRITTEN PERMISSION		CURRENT REV DESC: MIGRATION TO NX			
DIMENSION UNITS		SCALE		EC NO: 704381			
mm		4:1		DRWN: FAYEW		2022/04/18	
GENERAL TOLERANCES (UNLESS SPECIFIED)		ANGULAR TOL ± 0.5°		CHK'D: KLANG		2022/05/16	
4 PLACES ±		3 PLACES ±		APPR: KLANG		2022/05/16	
2 PLACES ± 0.25		1 PLACE ± 0.36		INITIAL REVISION:		DOCUMENT NUMBER	
0 PLACES ±		DRAFT WHERE APPLICABLE MUST REMAIN WITHIN DIMENSIONS		THIRD ANGLE PROJECTION		SERIES	
DRAWING		C-SIZE		SERIES		MATERIAL NUMBER	
43202		43202		CUSTOMER		SHEET NUMBER	
GENERAL MARKET		3 OF 9		SDA-43202		PSD 001 L9	

UNSHIELDED MODULAR JACKS

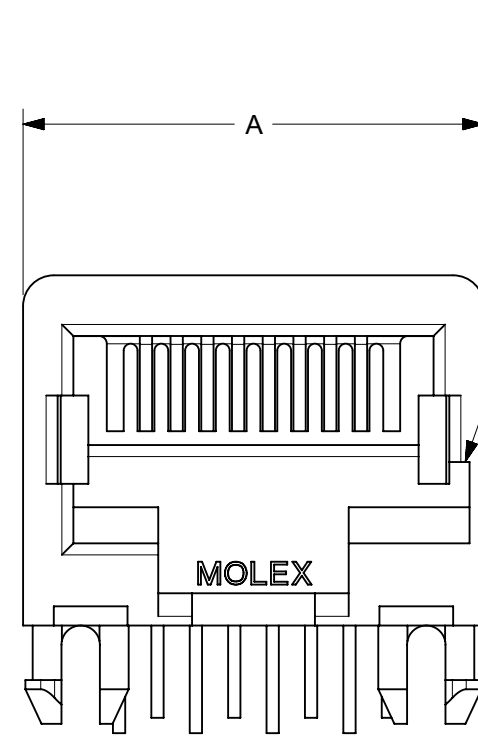
SIZE 8, LOADED 10 SHOWN



SIZE 4
LOADED 4 SHOWN

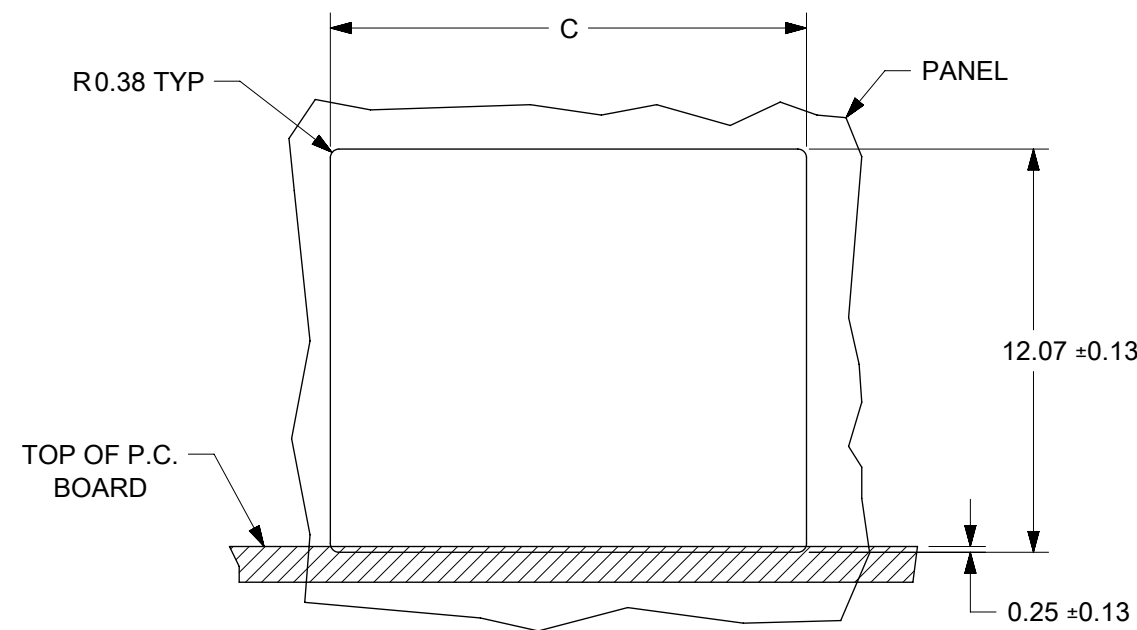
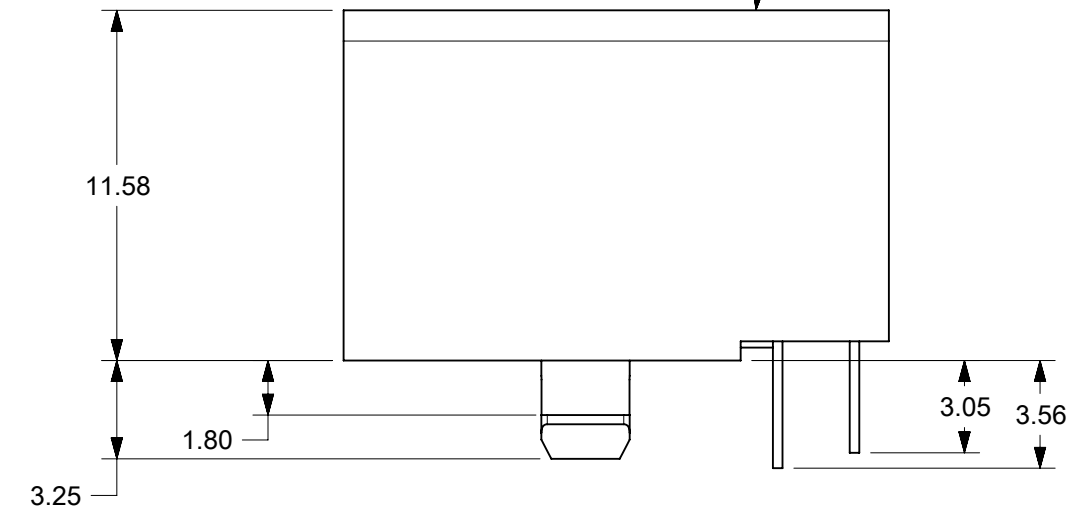


SIZE 6
LOADED 6 SHOWN

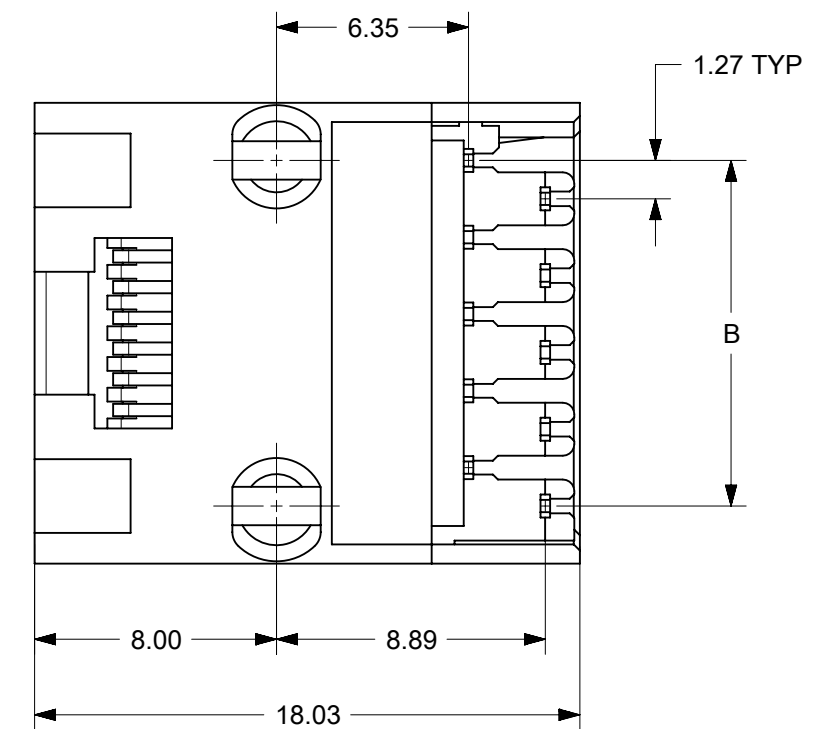


OPTIONAL KEYING SLOT
(8 POSITION, UNSHIELDED HOUSING ONLY)

MODULAR JACK ASSEMBLY
SEE SHEET 6 FOR MATERIAL NO.



PANEL CUT-OUT (UNSHIELDED)



HOUSING SIZE	LOADED CIRCUIT	A	B	C
4	4	11.18	3.81±0.13	11.68±0.13
4	2	11.18	1.27±0.13	11.68±0.13
6	6	13.21	6.35±0.13	13.72±0.13
6	4	13.21	3.81±0.13	13.72±0.13
6	2	13.21	1.27±0.13	13.72±0.13
8	10	15.24	11.43±0.13	15.75±0.13
8	8	15.24	8.89±0.13	15.75±0.13
8	6	15.24	6.35±0.13	15.75±0.13
8	4	15.24	3.81±0.13	15.75±0.13
8	2	15.24	1.27±0.13	15.75±0.13

FUNCTIONAL SYMBOLS	THIS DRAWING CONTAINS INFORMATION THAT IS PROPRIETARY TO MOLEX ELECTRONIC TECHNOLOGIES, LLC AND SHOULD NOT BE USED WITHOUT WRITTEN PERMISSION		
	DIMENSION UNITS	SCALE	CURRENT REV DESC: MIGRATION TO NX
$\frac{F}{A} = 0$	mm	4:1	<p>molex</p> <p>ULTRA LOW PROFILE RIGHT ANGLE MODULAR JACK ASSEMBLY</p> <p>PRODUCT CUSTOMER DRAWING</p>
$\frac{F}{C} = 0$	GENERAL TOLERANCES (UNLESS SPECIFIED)		
$\frac{F}{P} = 0$	ANGULAR TOL ± 0.5°		
DIVISIONAL SYMBOLS	4 PLACES ±	2022/04/18	
	3 PLACES ±	2022/05/16	EC NO: 704381
	2 PLACES ± 0.25	2022/05/16	DRWN: FAYEW
	1 PLACE ± 0.36		CHK'D: KLANG
	0 PLACES ±		APPR: KLANG
	DRAFT WHERE APPLICABLE MUST REMAIN WITHIN DIMENSIONS	THIRD ANGLE PROJECTION	INITIAL REVISION:
		DRAWING	DRWN: RFC_PLMIMP
		SERIES	2018/11/02
			2000/10/17
			APPR: REDGLE
			DOCUMENT NUMBER
			SDA-43202
			DOC TYPE
			PSD
			DOC PART
			001
			REVISION
			L9
			MATERIAL NUMBER
			CUSTOMER
			GENERAL MARKET
			SHEET NUMBER
			4 OF 9

H
G
F
E
D
C
B
A

SHIELDED MODULAR JACKS W/BOTTOM GROUND TABS (SHEET 2)								
NOT TOOLED "X"	ASSEMBLY MATERIAL NUMBER.	CONNECTOR SIZE	NOMBER OF CIRCUITS	SIDE/TOP PANEL GROUND TAB OPTION	PCB GROUND TAB POSITION	TERMINAL PLATING OPTION	PACKAGING OPTION	HOUSING COLOR
X	43202-8900	8	10	A	FRONT POSITION	A	TRAY	BLACK
X	43202-8901	8	10	B	FRONT POSITION	A	TRAY	
X	43202-8902	8	10	C	FRONT POSITION	A	TRAY	
X	43202-8903	8	10	D	FRONT POSITION	A	TRAY	
X	43202-8908	8	10	A	REAR POSITION	A	TRAY	
X	43202-8909	8	10	B	REAR POSITION	A	TRAY	
X	43202-8910	8	10	C	REAR POSITION	A	TRAY	
	43202-8911	8	10	D	REAR POSITION	A	TRAY	
	43202-8916	8	8	A	FRONT POSITION	A	TRAY	
	43202-8917	8	8	B	FRONT POSITION	A	TRAY	
X	43202-8918	8	8	C	FRONT POSITION	A	TRAY	
	43202-8919	8	8	D	FRONT POSITION	A	TRAY	
	43202-8924	8	8	A	REAR POSITION	A	TRAY	
X	43202-8925	8	8	B	REAR POSITION	A	TRAY	
X	43202-8926	8	8	C	REAR POSITION	A	TRAY	
	43202-8927	8	8	D	REAR POSITION	A	TRAY	

FUNCTIONAL SYMBOLS = 0 = 0 = 0 DIVISIONAL SYMBOLS 4 PLACES ± 3 PLACES ± 2 PLACES ± 0.25 1 PLACE ± 0.36 0 PLACES ± DRAFT WHERE APPLICABLE MUST REMAIN WITHIN DIMENSIONS	THIS DRAWING CONTAINS INFORMATION THAT IS PROPRIETARY TO MOLEX ELECTRONIC TECHNOLOGIES, LLC AND SHOULD NOT BE USED WITHOUT WRITTEN PERMISSION		CURRENT REV DESC: MIGRATION TO NX				
	DIMENSION UNITS: mm SCALE: 1:1	GENERAL TOLERANCES (UNLESS SPECIFIED) ANGULAR TOL ± 0.5°		EC NO: 704381 DRWN: FAYEW CHK'D: KLANG APPR: KLANG			
	PRODUCT CUSTOMER DRAWING		INITIAL REVISION: DRWN: RFC_PLMIMP APPR: REDGLE		2018/11/02 2000/10/17	DOCUMENT NUMBER: SDA-43202 DOC TYPE: PSD DOC PART: 001 REVISION: L9	
	THIRD ANGLE PROJECTION 		DRAWING: C-SIZE	SERIES: 43202	MATERIAL NUMBER:	CUSTOMER: GENERAL MARKET	SHEET NUMBER: 5 OF 9

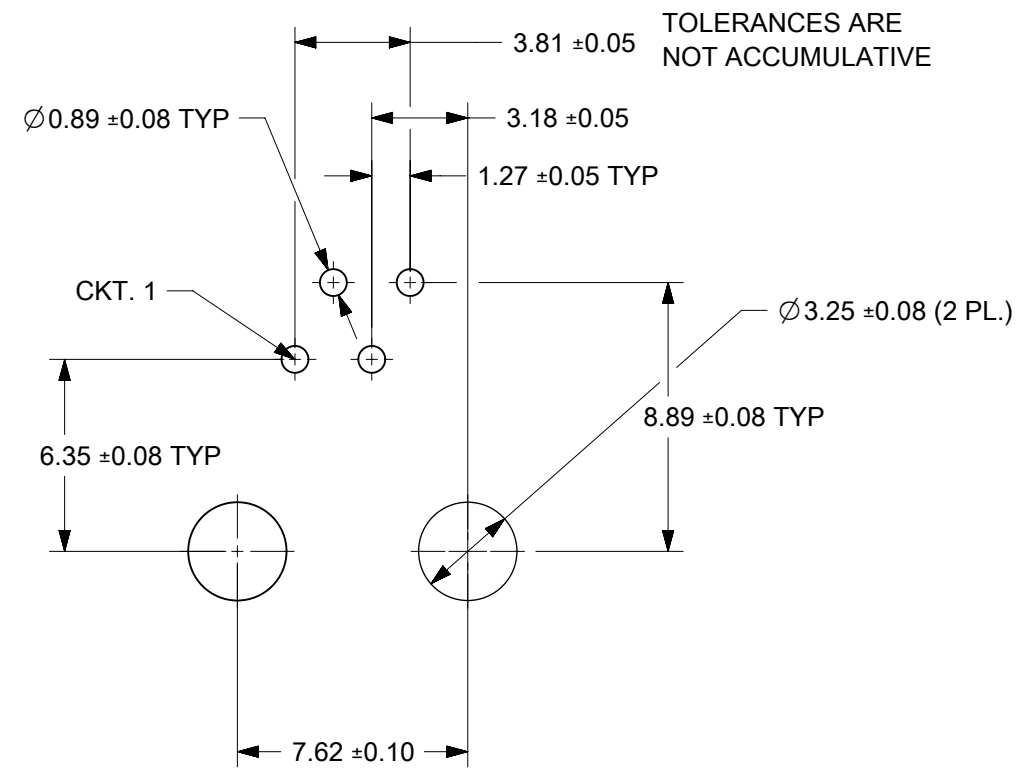
SHIELDED MODULAR JACKS W/O BOTTOM GROUND TABS (SHEET 3)

NOT TOOLED "X"	ASSEMBLY MATERIAL NUMBER	CONNECTOR SIZE	NUMBER OF CIRCUITS	SIDE/TOP PANEL GROUND TAB OPTION	PCB GROUND TAB OPTION	TERMINAL PLATING OPTION	PACKAGING OPTION	HOUSING COLOR
X	43202-8800	8	10	E	FRONT POSITION	A	TRAY	BLACK
X	43202-8801	8	10	F	FRONT POSITION	A	TRAY	
X	43202-8802	8	10	G	FRONT POSITION	A	TRAY	
X	43202-8803	8	10	H	FRONT POSITION	A	TRAY	
X	43202-8808	8	10	E	REAR POSITION	A	TRAY	
X	43202-8809	8	10	F	REAR POSITION	A	TRAY	
X	43202-8810	8	10	G	REAR POSITION	A	TRAY	
	43202-8811	8	10	H	REAR POSITION	A	TRAY	
	43202-8816	8	8	E	FRONT POSITION	A	TRAY	
	43202-8817	8	8	F	FRONT POSITION	A	TRAY	
	43202-8818	8	8	G	FRONT POSITION	A	TRAY	
	43202-8819	8	8	H	FRONT POSITION	A	TRAY	
	43202-8824	8	8	E	REAR POSITION	A	TRAY	
	43202-8825	8	8	F	REAR POSITION	A	TRAY	
X	43202-8826	8	8	G	REAR POSITION	A	TRAY	
	43202-8827	8	8	H	REAR POSITION	A	TRAY	

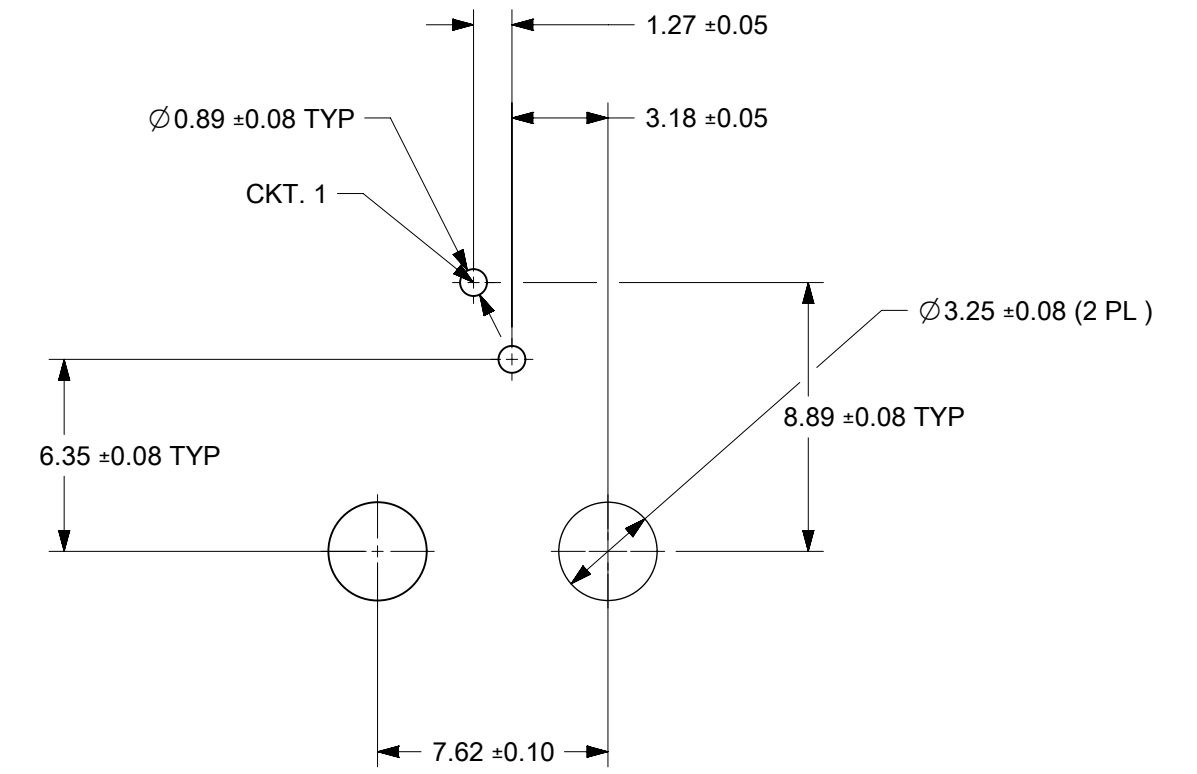
UNSHIELDED MODULAR JACKS- (SHEET 4)

NOT TOOLED "X"	ASSEMBLY MATERIAL NUMBER	CONNECTOR SIZE	NUMBER OF CIRCUITS	TERMINAL PLATING OPTION	KEYING OPTION	PACKAGING OPTION	HOUSING COLOR
	43202-4101	4	4	A	NO	TRAY	BLACK
X	43202-4104	4	2	A	NO	TRAY	
	43202-6101	6	6	A	NO	TRAY	
X	43202-6102	6	6	B	NO	TRAY	
X	43202-6104	6	4	A	NO	TRAY	
	43202-6105	6	4	B	NO	TRAY	
	43202-6107	6	2	A	NO	TRAY	
X	43202-6110	6	6	B	NO	TUBE	
X	43202-6113	6	2	A	NO	TRAY	ORANGE
X	43202-6116	6	2	A	NO	TRAY	GREEN
	43202-8101	8	10	A	NO	TRAY	BLACK
	43202-8104	8	8	A	NO	TRAY	
X	43202-8105	8	8	B	NO	TRAY	
	43202-8113	8	8	A	YES	TRAY	
X	43202-8116	8	6	A	NO	TRAY	
	43202-8119	8	4	A	NO	TRAY	
X	43202-8122	8	2	A	NO	TRAY	
X	43202-8125	8	8	A	NO	TRAY	BLUE
X	43202-8504	8	8	A	NO	TUBE	BLACK
X	43202-8513	8	8	A	YES	TUBE	

FUNCTIONAL SYMBOLS	THIS DRAWING CONTAINS INFORMATION THAT IS PROPRIETARY TO MOLEX ELECTRONIC TECHNOLOGIES, LLC AND SHOULD NOT BE USED WITHOUT WRITTEN PERMISSION		
	DIMENSION UNITS	SCALE	CURRENT REV DESC: MIGRATION TO NX
$\frac{F}{A} = 0$	mm	1:1	EC NO: 704381 DRWN: FAYEW 2022/04/18 CHK'D: KLANG 2022/05/16 APPR: KLANG 2022/05/16
$\frac{F}{C} = 0$	GENERAL TOLERANCES (UNLESS SPECIFIED)		
$\frac{F}{P} = 0$	ANGULAR TOL $\pm 0.5^\circ$		
DIVISIONAL SYMBOLS	4 PLACES	\pm	INITIAL REVISION: DRWN: RFC_PLMIMP 2018/11/02 APPR: REDGLE 2000/10/17
	3 PLACES	\pm	
	2 PLACES	± 0.25	
	1 PLACE	± 0.36	
	0 PLACES	\pm	
DRAFT WHERE APPLICABLE MUST REMAIN WITHIN DIMENSIONS		THIRD ANGLE PROJECTION	DRAWING
			C-SIZE
		SERIES	43202
DOCUMENT STATUS		DOCUMENT NUMBER	DOC TYPE DOC PART REVISION
P1	RELEASE DATE	SDA-43202	PSD 001 L9
2022/05/16 17:27:51		MATERIAL NUMBER	CUSTOMER
		GENERAL MARKET	SHEET NUMBER
			6 OF 9



PC BOARD LAYOUT FOR 4 POSITION HOUSING
 (4 CIRCUIT FOOT PRINT SHOWN)
 (COMPONENT SIDE OF BOARD)



PC BOARD LAYOUT FOR 4 POSITION HOUSING
 (2 CIRCUIT FOOT PRINT SHOWN)
 (COMPONENT SIDE OF BOARD)

NOTES:

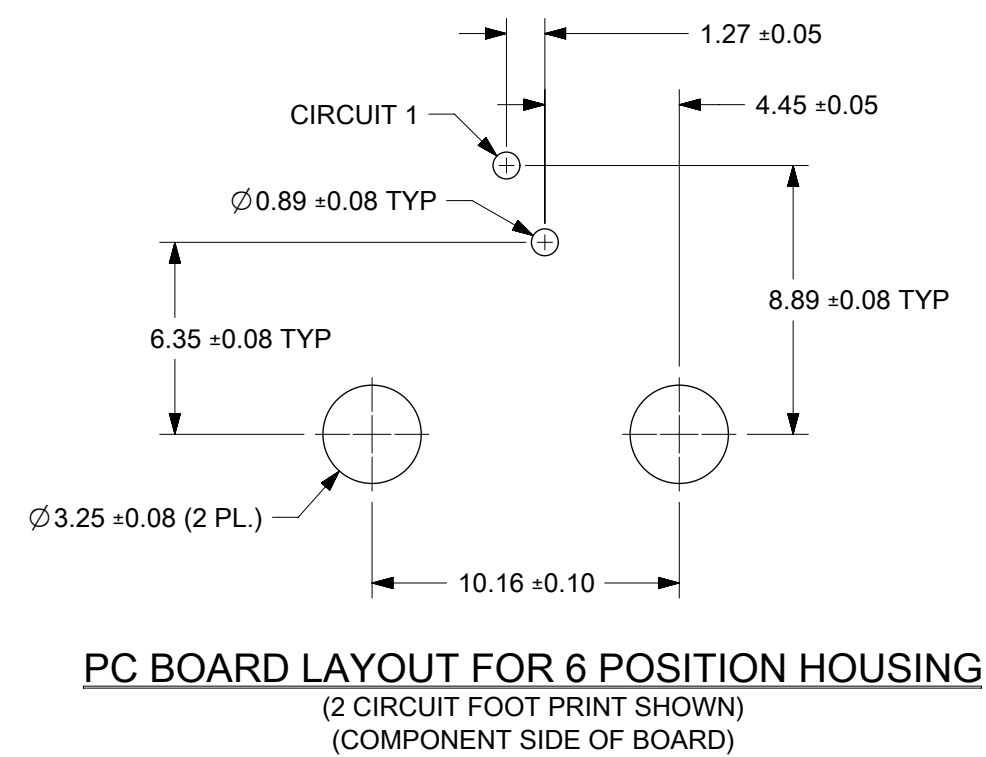
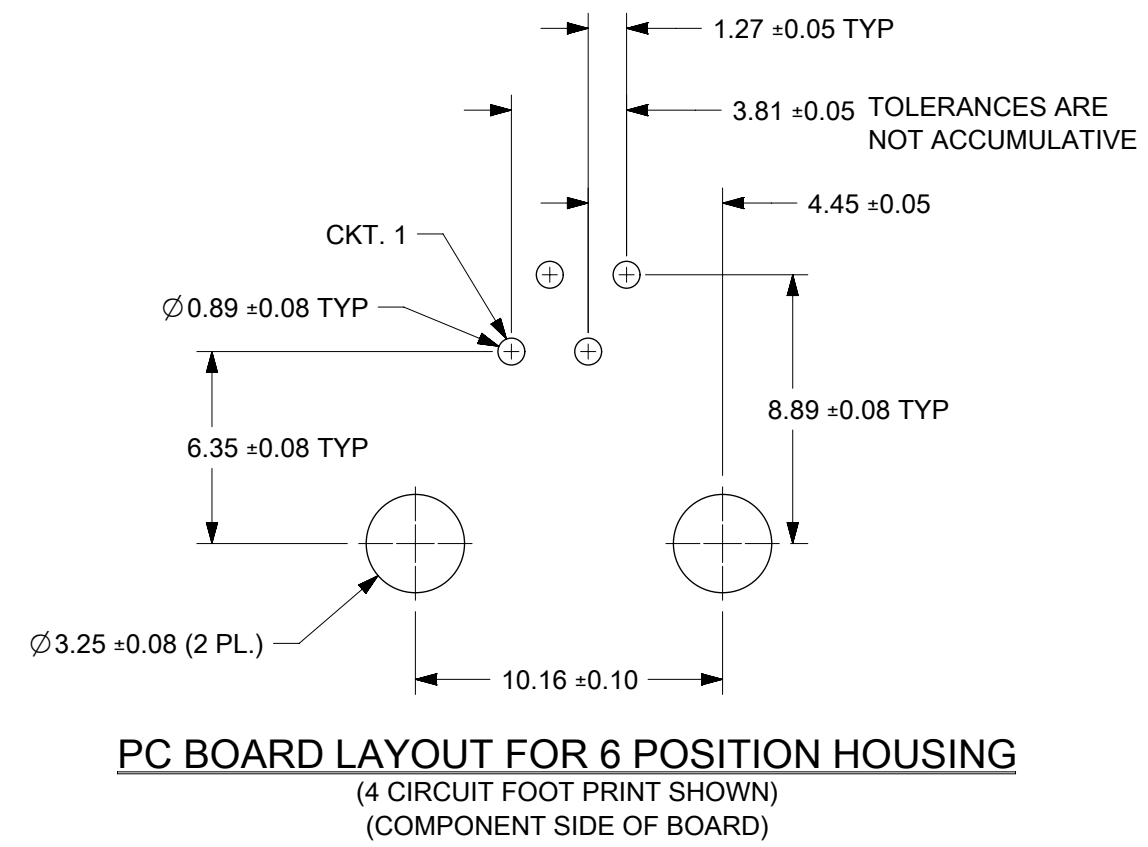
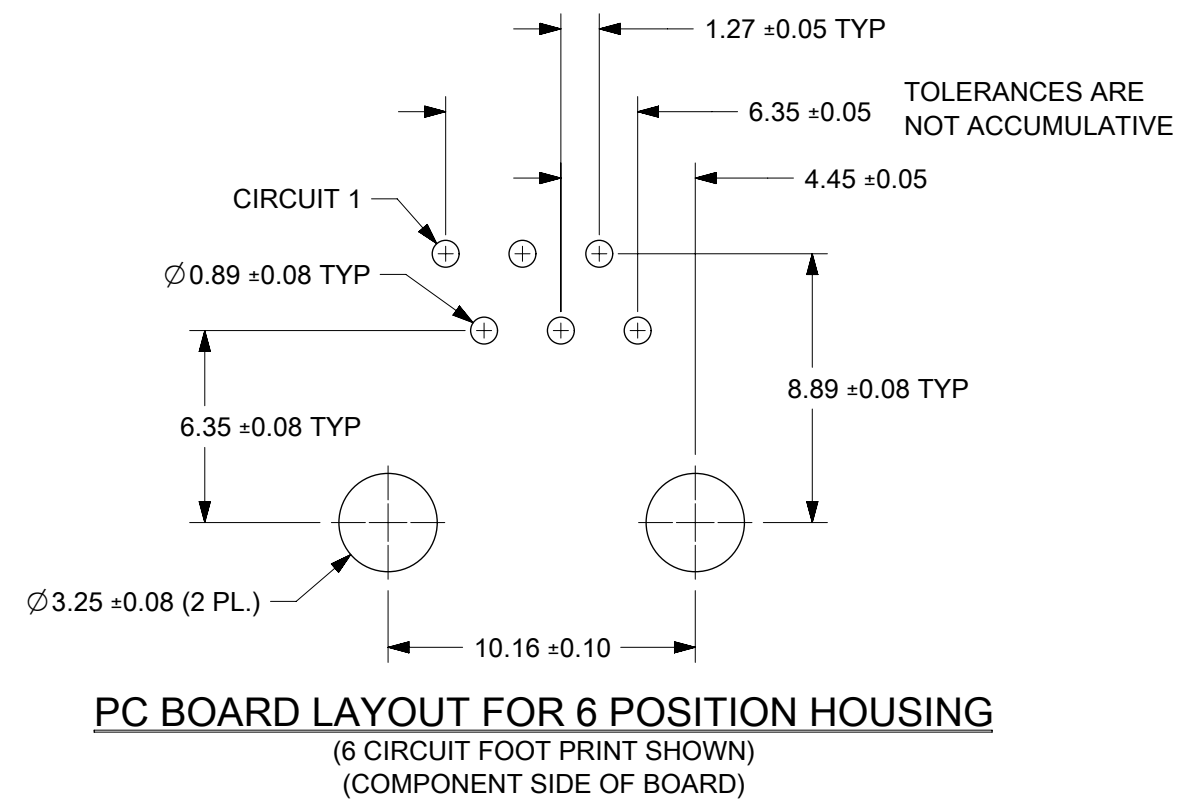
1. RECOMMENDED PCB THICKNESS: 1.57±0.13 mm.

FUNCTIONAL SYMBOLS	THIS DRAWING CONTAINS INFORMATION THAT IS PROPRIETARY TO MOLEX ELECTRONIC TECHNOLOGIES, LLC AND SHOULD NOT BE USED WITHOUT WRITTEN PERMISSION							
	DIMENSION UNITS	SCALE	CURRENT REV DESC: MIGRATION TO NX					
$\nabla_A = 0$	mm	1:1	EC NO: 704381 DRWN: FAYEW 2022/04/18 CHK'D: KLANG 2022/05/16 APPR: KLANG 2022/05/16					
$\nabla_C = 0$	GENERAL TOLERANCES (UNLESS SPECIFIED)							
$\nabla_P = 0$	ANGULAR TOL ± 0.5°							
DIVISIONAL SYMBOLS	4 PLACES	±	INITIAL REVISION:					
	3 PLACES	±	DRWN: RFC_PLMIMP 2018/11/02					
	2 PLACES	± 0.25	APPR: REDGLE 2000/10/17					
	1 PLACE	± 0.36						
	0 PLACES	±						
DRAFT WHERE APPLICABLE MUST REMAIN WITHIN DIMENSIONS		THIRD ANGLE PROJECTION	DRAWING	SERIES	DOCUMENT NUMBER	DOC TYPE	DOC PART	REVISION
			C-SIZE	43202	SDA-43202	PSD	001	L9
					MATERIAL NUMBER	CUSTOMER		SHEET NUMBER
						GENERAL MARKET		7 OF 9

molex

ULTRA LOW PROFILE
 RIGHT ANGLE MODULAR JACK ASSEMBLY

PRODUCT CUSTOMER DRAWING



NOTES:
1. RECOMMENDED PCB THICKNESS: 1.57±0.13 mm.

FUNCTIONAL SYMBOLS	THIS DRAWING CONTAINS INFORMATION THAT IS PROPRIETARY TO MOLEX ELECTRONIC TECHNOLOGIES, LLC AND SHOULD NOT BE USED WITHOUT WRITTEN PERMISSION		
	DIMENSION UNITS	SCALE	CURRENT REV DESC: MIGRATION TO NX
$\frac{F}{A} = 0$	mm	1:1	EC NO: 704381 DRWN: FAYEW 2022/04/18 CHK'D: KLANG 2022/05/16 APPR: KLANG 2022/05/16
$\frac{F}{C} = 0$	GENERAL TOLERANCES (UNLESS SPECIFIED)		
$\frac{F}{P} = 0$	ANGULAR TOL ± 0.5°		INITIAL REVISION: DRWN: RFC_PLMIMP 2018/11/02 APPR: REDGLE 2000/10/17
DIVISIONAL SYMBOLS	4 PLACES ±		
	3 PLACES ±		DOCUMENT NUMBER: SDA-43202 DOC TYPE: PSD DOC PART: 001 REVISION: L9
	2 PLACES ± 0.25		
	1 PLACE ± 0.36		MATERIAL NUMBER: GENERAL MARKET CUSTOMER: GENERAL MARKET SHEET NUMBER: 8 OF 9
	0 PLACES ±		
DRAFT WHERE APPLICABLE MUST REMAIN WITHIN DIMENSIONS		THIRD ANGLE PROJECTION	DRAWING: C-SIZE SERIES: 43202

molex

ULTRA LOW PROFILE
RIGHT ANGLE MODULAR JACK ASSEMBLY

PRODUCT CUSTOMER DRAWING

