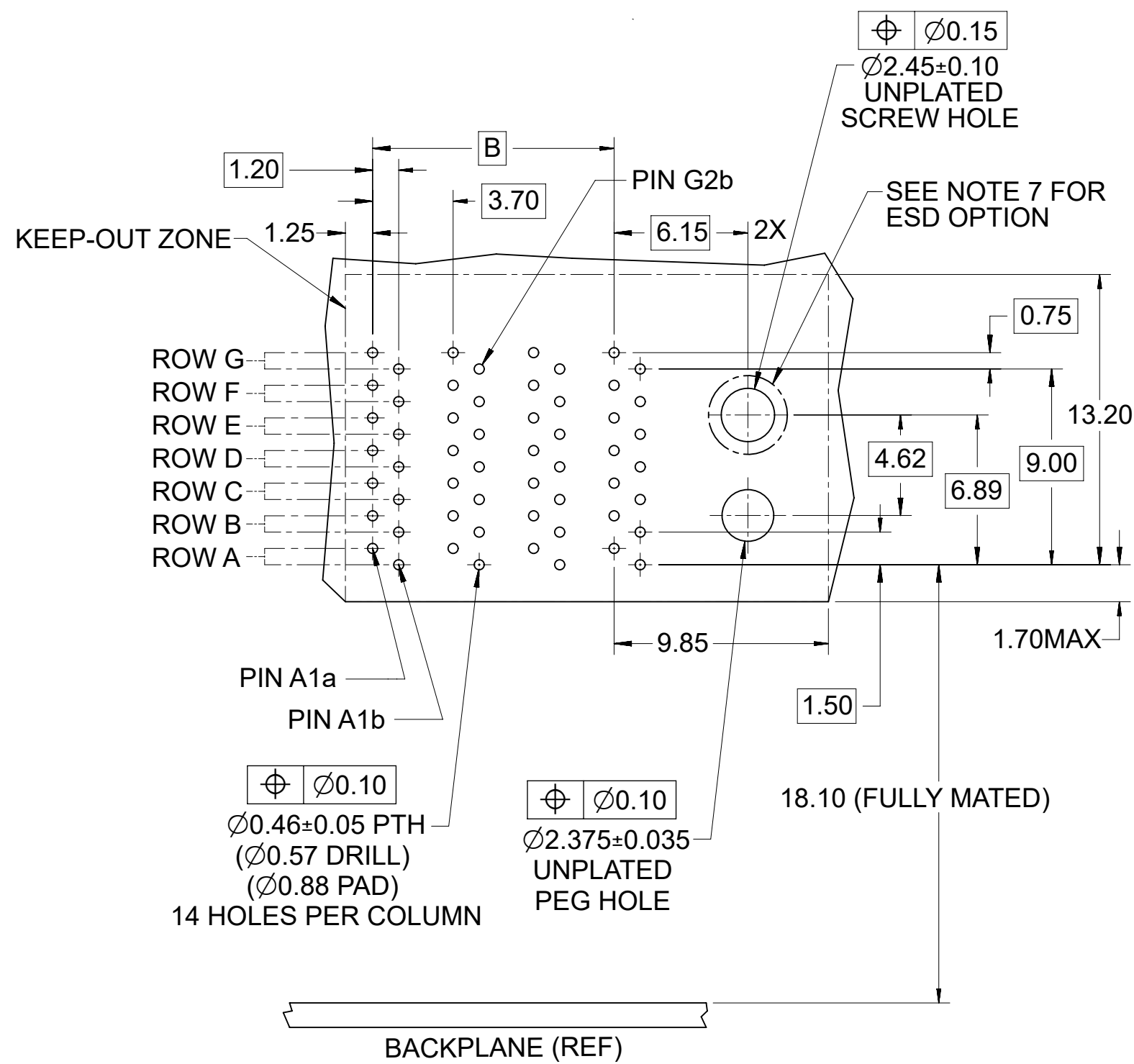
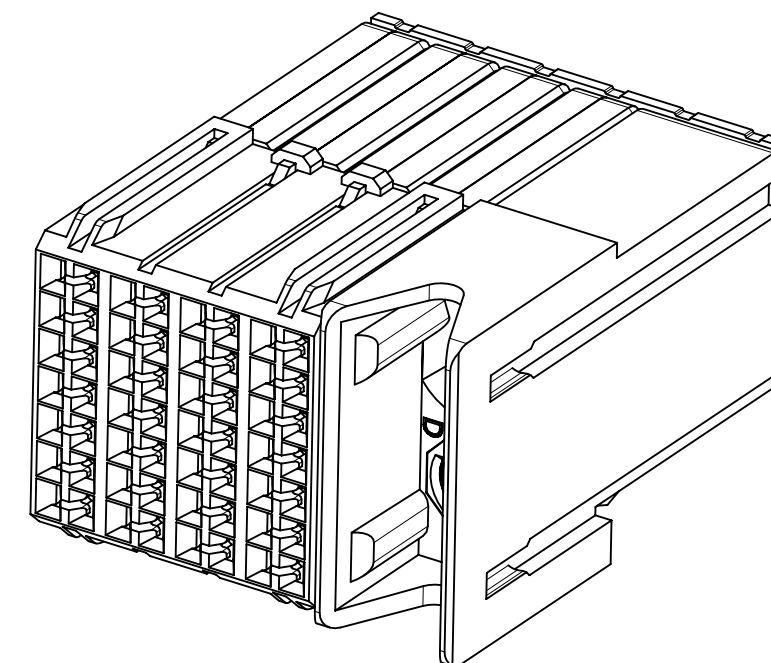
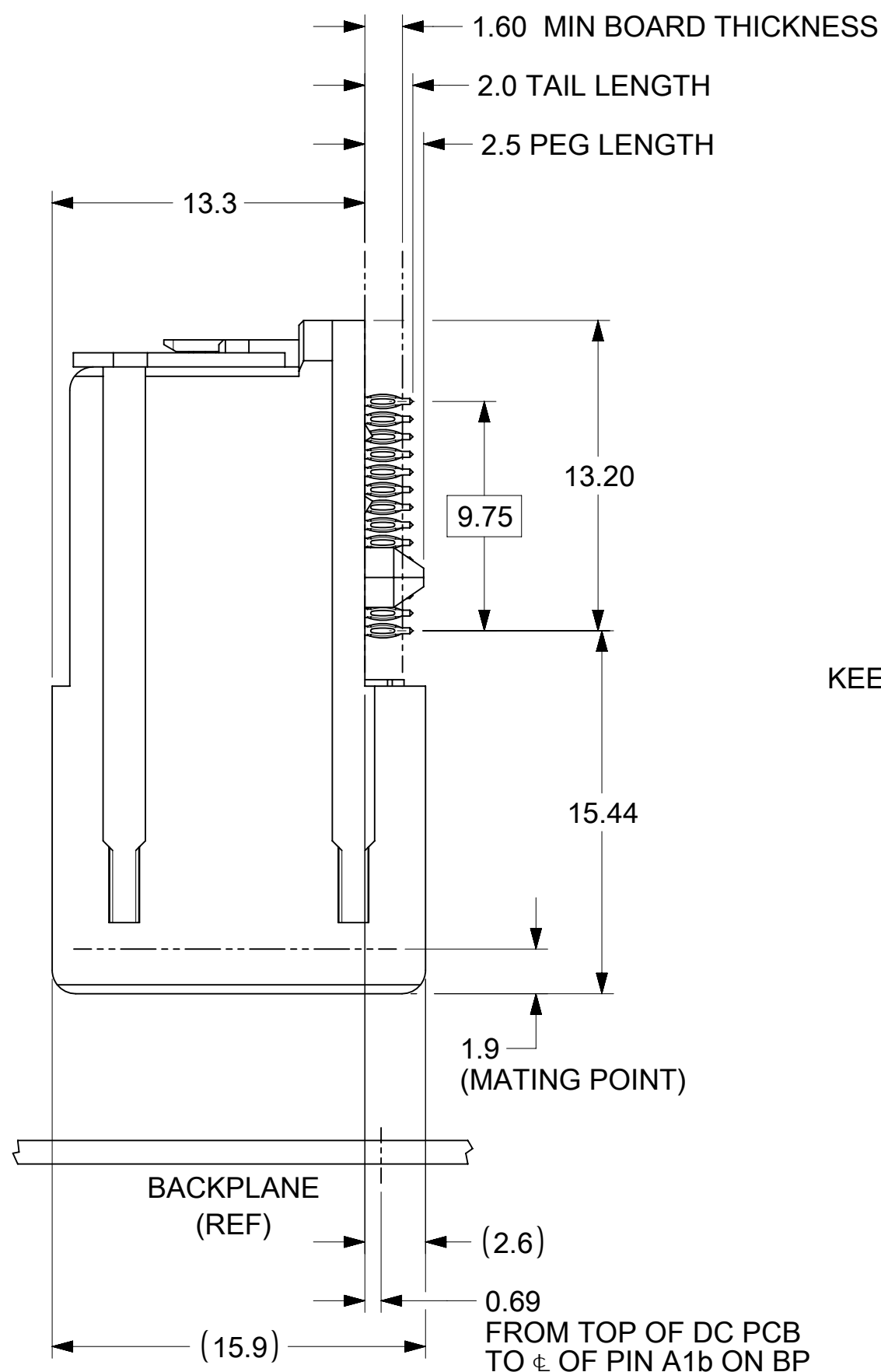


KEY SHOWN IN POSITION "E"



DAUGHTERCARD HOLE PATTERN (CONNECTOR SIDE)

NOTES:

1. MATERIALS: HOUSING - LIQUID CRYSTAL POLYMER (LCP)GLASS-FILLED, UL 94V-0
TERMINALS - HIGH PERFORMANCE COPPER ALLOY
2. FINISH: SELECTIVE GOLD (Au) IN CONTACT AREA,
SELECTIVE MATTE TIN (Sn) IN TAIL AREA;
NICKEL (Ni) UNDERPLATE OVERALL.
3. REFER TO MOLEX PRODUCT SPECIFICATION PS-75710-999 FOR PERFORMANCE SPECS.
4. PRODUCT IS PACKAGED PER PK-70873-607.
5. THIS PART CONFORMS TO CLASS B REQUIREMENTS OF COSMETIC SPEC PS-45499-002.
6. GUIDED PARTS TO BE SHIPPED WITH 2-32 TYPE AB
SELF-TAPPING SCREW P/N 73726-0005.
7. FOR GROUNDED GUIDE MODULES USE DIA 2.45+/-0.10 (PTH), DIA 2.58 (DRILL),
AND DIA 4.50 (PAD).
8. MAPS (MOLEX ADVANCED PLATING SYSTEM).

THIS DRAWING CONTAINS INFORMATION THAT IS PROPRIETARY TO MOLEX ELECTRONIC TECHNOLOGIES, LLC AND SHOULD NOT BE USED WITHOUT WRITTEN PERMISSION

DIMENSION UNITS	SCALE	CURRENT REV DESC: REMASTERED TO NX								
mm	NTS									
GENERAL TOLERANCES (UNLESS SPECIFIED)		EC NO: 671119		I-TRAC DAUGHTERCARD 7 ROW GUIDE RIGHT SIGNAL MODULE						
ANGULAR TOL	± 0.5°	DRWN: YOGEEB		2021/06/17						
4 PLACES	±	CHK'D: VINODM3		2022/01/31						
3 PLACES	±	APPR: CWANG25		2022/02/18						
2 PLACES	± 0.13	INITIAL REVISION:		PRODUCT CUSTOMER DRAWING						
1 PLACE	± 0.25	DRWN: BPISZCZOR		DOCUMENT NUMBER		DOC TYPE	DOC PART	REVISION		
0 PLACES	±	APPR: JLAURX		SD-76020-004		PSD	001	C1		
DRAFT WHERE APPLICABLE MUST REMAIN WITHIN DIMENSIONS		THIRD ANGLE PROJECTION		DRAWING		SERIES		MATERIAL NUMBER	CUSTOMER	SHEET NUMBER
				C-SIZE		76020		SEE TABLE	GENERAL MARKET	1 OF 2

MATERIAL NUMBER	# OF COLUMNS	DIM. "A" MAX.	DIM. "B"
76020-***4	4	22.20	11.10
76020-***6	6	29.60	18.50
76020-***0	10	44.40	33.30

76020-***

MODULE STYLE AND TAIL PLATING TYPE
 4 = GUIDE RIGHT, MATTE TIN (FORMERLY TIN/LEAD)
 5 = GUIDE RIGHT, MATTE TIN

POLARIZATION KEY ORIENTATION
 0 = NO KEY
 1 = A
 2 = B
 3 = C
 4 = D
 5 = E
 6 = F
 7 = G
 8 = H

OF COLUMNS/PLATING
 04 = 4 COL 30 GOLD
 06 = 6 COL 30 GOLD
 10 = 10 COL 30 GOLD
 44 = 4 COL 10 GOLD (MAPS)
 46 = 6 COL 10 GOLD (MAPS)
 40 = 10 COL 10 GOLD (MAPS)
 54 = 4 COL W/ESD CLIP 30 GOLD
 56 = 6 COL W/ESD CLIP 30 GOLD
 50 = 10 COL W/ESD CLIP 30 GOLD
 74 = 4 COL W/ESD CLIP 10 GOLD (MAPS)
 76 = 6 COL W/ESD CLIP 10 GOLD (MAPS)
 70 = 10 COL W/ESD CLIP 10 GOLD (MAPS)

THIS DRAWING CONTAINS INFORMATION THAT IS PROPRIETARY TO MOLEX ELECTRONIC TECHNOLOGIES, LLC AND SHOULD NOT BE USED WITHOUT WRITTEN PERMISSION											
DIMENSION UNITS		SCALE		CURRENT REV DESC: REMASTERED TO NX				molex		I-TRAC DAUGHTERCARD 7 ROW GUIDE RIGHT SIGNAL MODULE	
mm		NTS									
GENERAL TOLERANCES (UNLESS SPECIFIED)				EC NO: 671119				PRODUCT CUSTOMER DRAWING			
ANGULAR TOL ± 0.5°				DRWN: YOGEEB 2021/06/17							
4 PLACES ±				CHK'D: VINODM3 2022/01/31				DOCUMENT NUMBER: SD-76020-004 DOC TYPE: PSD DOC PART: 001 REVISION: C1			
3 PLACES ±				APPR: CWANG25 2022/02/18							
2 PLACES ± 0.13				INITIAL REVISION:				MATERIAL NUMBER: SEE TABLE CUSTOMER: GENERAL MARKET SHEET NUMBER: 2 OF 2			
1 PLACE ± 0.25				DRWN: BPISZCZOR 2007/03/19							
0 PLACES ±				APPR: JLAURX 2007/03/19							
DRAFT WHERE APPLICABLE MUST REMAIN WITHIN DIMENSIONS				THIRD ANGLE PROJECTION		DRAWING: C-SIZE		SERIES: 76020			

DOCUMENT STATUS	P1	RELEASE DATE	2022/02/18 05:04:24
-----------------	----	--------------	---------------------