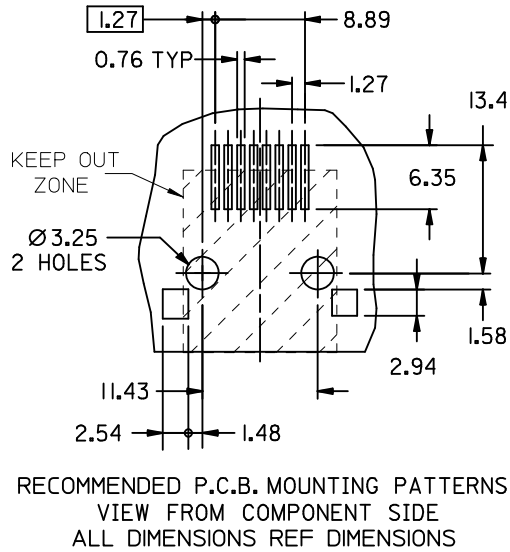


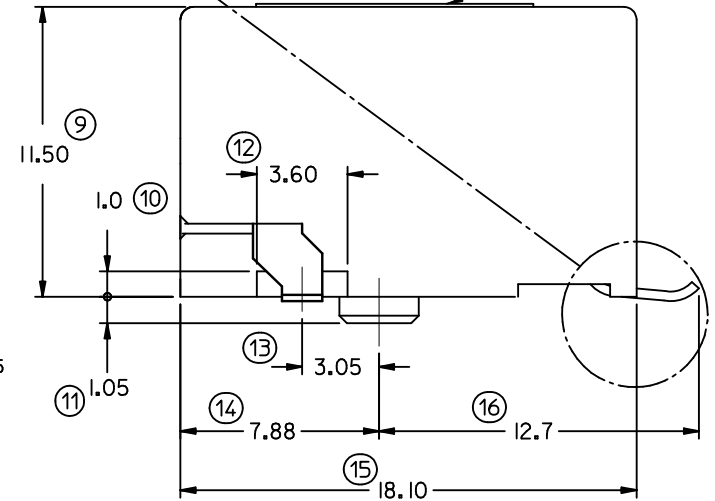
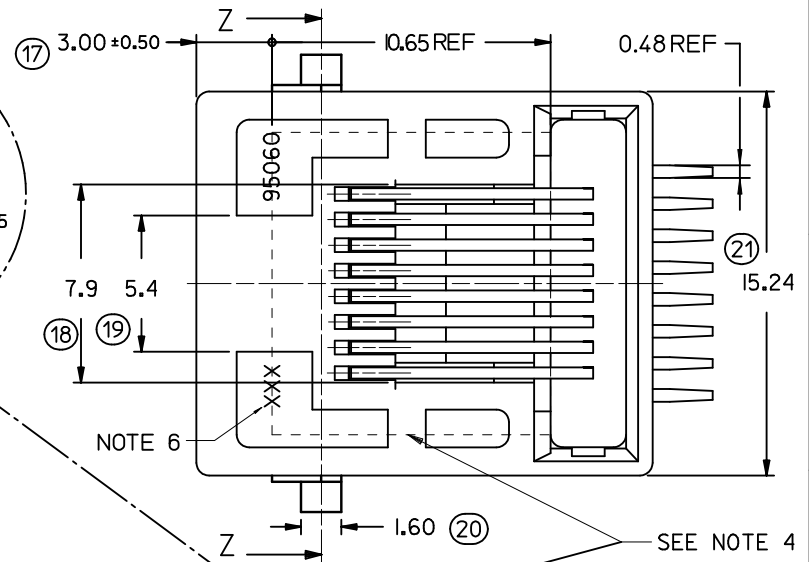
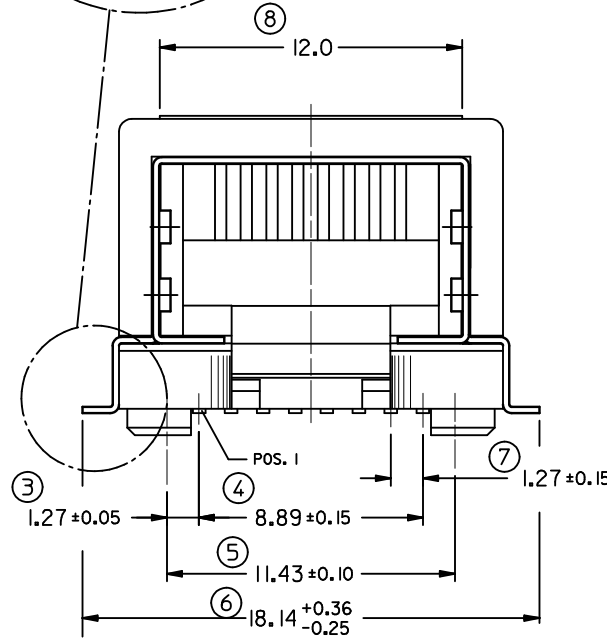
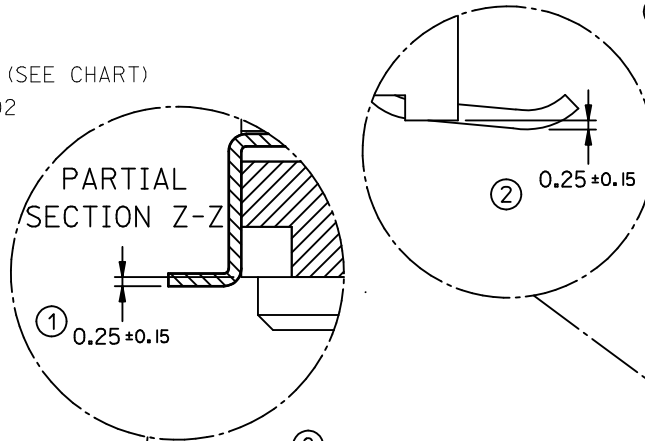
NOTES:

- 1- COPLANARITY OF LEADS : 0.10 MAX.
COPLANARITY OF SHIELD TABS: 0.10 MAX.
 - 2- PACKAGING SPECIFICATION : BLISTER ON REEL (SEE CHART)
 - 3- PRODUCT SPECIFICATION : MOLEX PS-95540-002
 - 4- KAPTON ADHESIVE FOIL: 0.125 THICK.
 - 5- JACK FOR MATING WITH F.C.C. 68 PLUGS 95043 MOLEX SERIES.
 - 6- MANUFACTURING I.D. CAN BE EITHER MXF, MG OR MXI.
- LAST INSPECTION NUMBER: 21



PACKAGING			
PART NUMBER	REEL SIZE	SPECIFICATION	PLATING
95540-6886	330	PK-85502 SHT 1	2
95540-7884			7
95540-6888	559	PK-85502 SHT 3	2
95540-7888			7

MATERIAL:
 HOUSING: LCP GLASS FILLED UL 94V0, COLOR: BLACK
 TERMINAL: COPPER ALLOY PLATED WITH:
 PLATING 2: 0.00127 MIN GOLD IN CONTACT AREA, 0.00190 MIN TIN IN TAIL AREA, BOTH OVER 0.00127 MIN NICKEL OVERALL
 PLATING 7: POST PLATE 0.00005 MIN GOLD FLASH OVER 0.00060 MIN PALLADIUM NICKEL IN CONTACT AREA; 0.00190 MIN TIN IN TAIL AREA, BOTH OVER 0.00127 MIN NICKEL OVERALL.
 SHIELD: COPPER ALLOY PLATED WITH 0.0020 MIN. TIN



ADDED DIMENSION	EC NO: E2012-0079	2011/03/11	QUALITY SYMBOLS
	DRWN: JOCONNOR	2011/09/28	▽=0
	CHKD:		∇=0
	APPR: EFOLAN		

GENERAL TOLERANCES (UNLESS SPECIFIED)	mm	INCH
	4 PLACES ± ---	± ---
	3 PLACES ± ---	± ---
	2 PLACES ± 0.1	± ---
	1 PLACE ± 0.15	± ---
	ANGULAR ± 1/2°	
DRAFT WHERE APPLICABLE MUST REMAIN WITHIN DIMENSIONS		

DIMENSION STYLE		SCALE	DESIGN UNITS	THIRD ANGLE PROJECTION
MM ONLY		5:1	METRIC	☉
DRAWN BY	DATE	TITLE		
KNOLLER	04/06/18	RIGHT ANGLE LOW PROFILE SHIELDED PC JACK (SURFACE MOUNT VERSION)		
CHECKED BY	DATE	MOLEX INCORPORATED		
FCARABET	04/06/28	DOCUMENT NO. SD-95540-001		
APPROVED BY	DATE	SHEET NO. 2 OF 3		
KNOLLER	04/06/29	THIS DRAWING CONTAINS INFORMATION THAT IS PROPRIETARY TO MOLEX INCORPORATED AND SHOULD NOT BE USED WITHOUT WRITTEN PERMISSION		
MATERIAL NO.	SIZE A3			
SEE CHART				

MATERIAL NO.		DOCUMENT NO.	SHEET NO.
SEE CHART		SD-95540-001	2 OF 3
THIS DRAWING CONTAINS INFORMATION THAT IS PROPRIETARY TO MOLEX INCORPORATED AND SHOULD NOT BE USED WITHOUT WRITTEN PERMISSION			