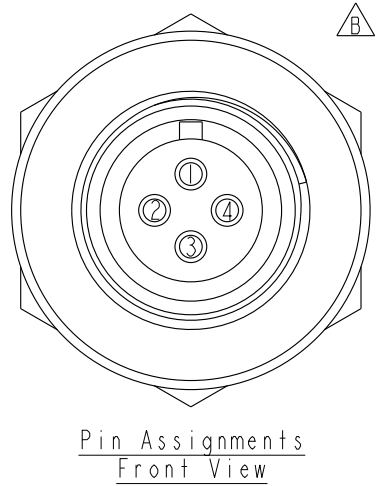
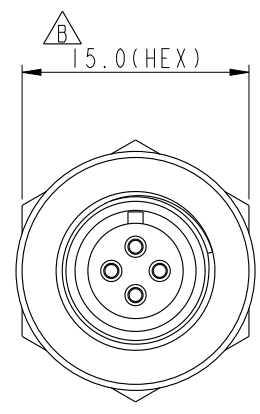
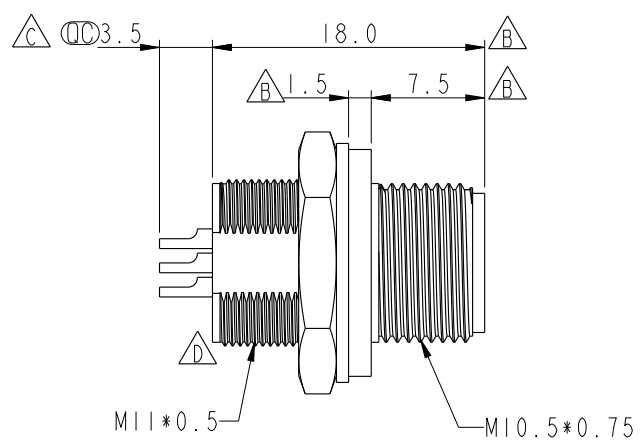
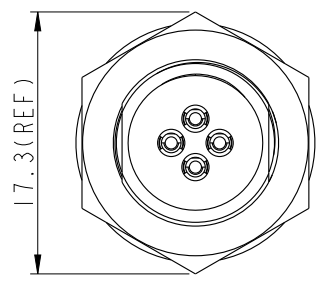
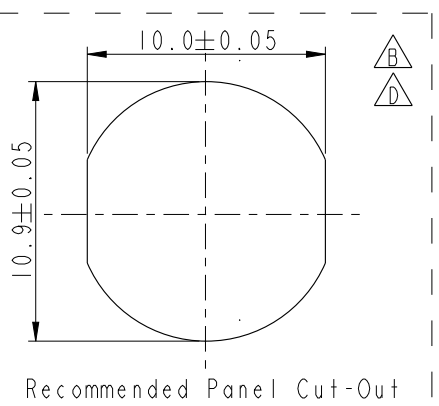
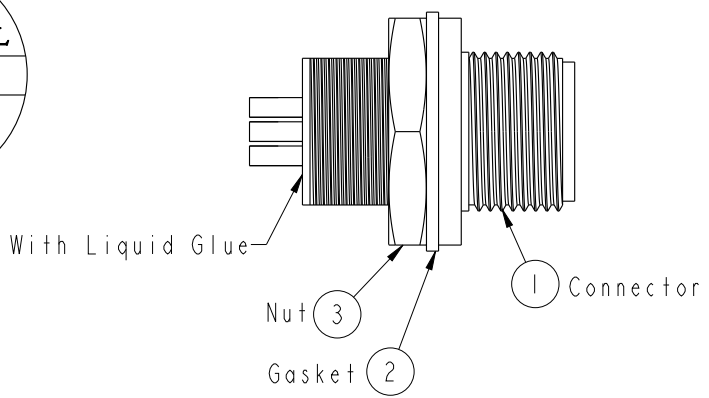


REV.	ECN NO.	DATE	SIGN	DESCRIPTION
B	LE3-910083	2009/01/16	Vicky	Update the drawing.
C	LEN13C0087	2013/12/06	Tony_leng	Change 3.3 To 3.5mm
D	LEN1630390	2016/03/18	Yulong_wang	Change Shell No. From BAB0036N100 to BAB0010053.



ALTW  
CONFIDENTIAL  
2016-03-18  
R&D DEPT.

ALTW  
DCC. DEPT.  
CONFIDENTIAL  
2016.03.21  
ISSUED



- Notes:
- \* (C) Important Dimension.
  - \* Waterproof Rate: IP67.
  - \* Connector: Black, Nylon+GF.
  - \* Female Pin: Copper Alloy, Gold Plated.
  - \* Gasket: Black, EPDM.
  - \* Nut: Copper Alloy, Nickel Plated.
  - \* Shield: Copper Alloy, Nickel Plated.
  - \* For Panel Thickness Max: 6.0mm.
  - \* Nut Torque: 4~6 Kgf.cm

UNIT: mm		
TOLERANCE	.X ±0.25	
	.XX ±0.1	
	.XXX ±0.05	
ANGLES	±1°	

TITLE	M10.5 Conn Panel Screw 4P M Conn F Pin		
SCALE	2:1	SIZE	A4
REV.	D	WC-REV.	B.2
		(C)	Inspection item

**Amphenol LTW**  
安費諾亮泰企業股份有限公司

ITEM NO.	105-04PMFS-SC7001	DRAWN BY	Yulong_wang	DATE	2016-03-18
DWG NO.	105-04PMFS-SC7001	CHECKED BY	Cary	DATE	2016-03-18
CUSTOMER	ALTW	APPROVED BY	Jerry	DATE	2016-03-18

THIS DOCUMENT IS SUBJECT TO CHANGE WITHOUT NOTICE. IT IS CONFIDENTIAL AND A PROPERTY OF AMPHENOL LTW. DISCLOSURE TO THIRD PARTY HAS TO BE AUTHORIZED BY AMPHENOL LTW.