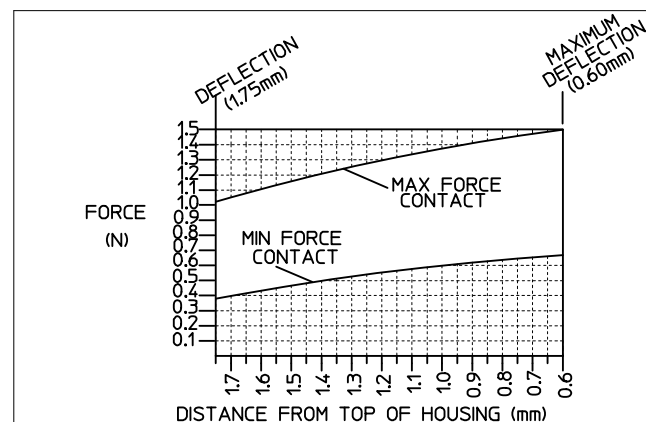
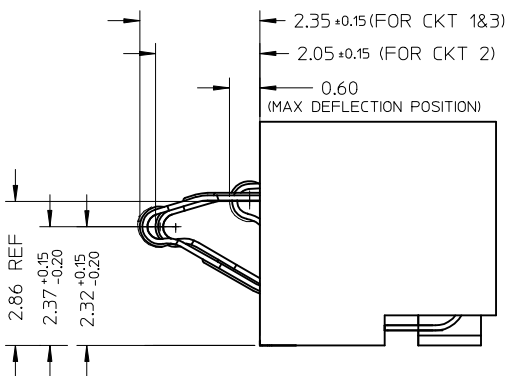
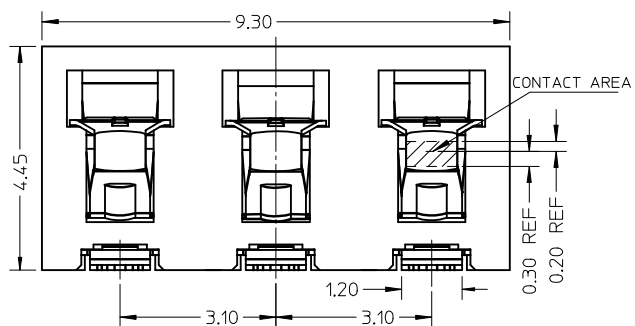


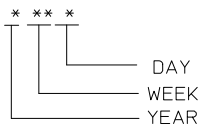
RECOMMENDED PCB LAYOUT
TOLERANCE: +/-0.05mm



1. MATERIALS.

- HOUSING: PA4T, UL94 V-0. BLACK.
- TERMINAL: COPPER ALLOY 0.10 REF THICKNESS.
- NAIL: COPPER ALLOY 0.20 REF THICKNESS.
- TERMINAL PLATING: GOLD FLASH IN SOLDER AREA.
- 0.76um GOLD OVER 2.5um Min NICKEL IN CONTACT AREA ON DOME.
- NAIL PLATING: 3um MIN TIN.

2. DATE CODE CONSISTING OF * * * *

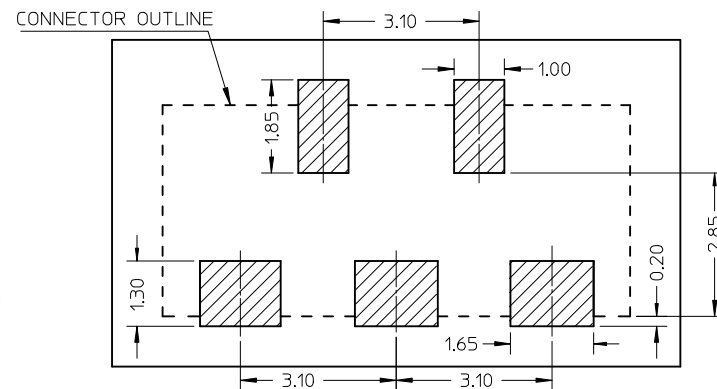
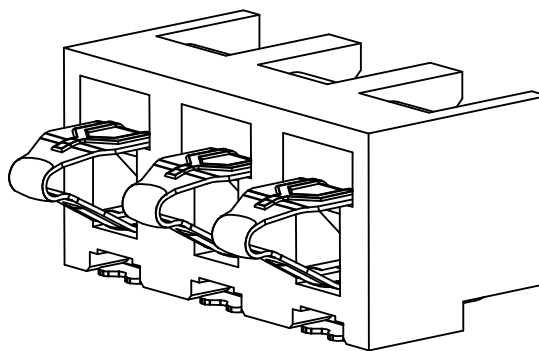
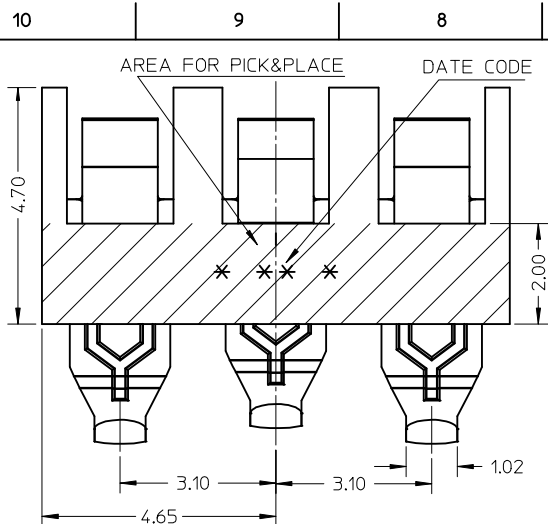


3. 0.10MM COPLANARITY AMONG TERMINAL SOLDER TAILS AND FITTING NAILS.

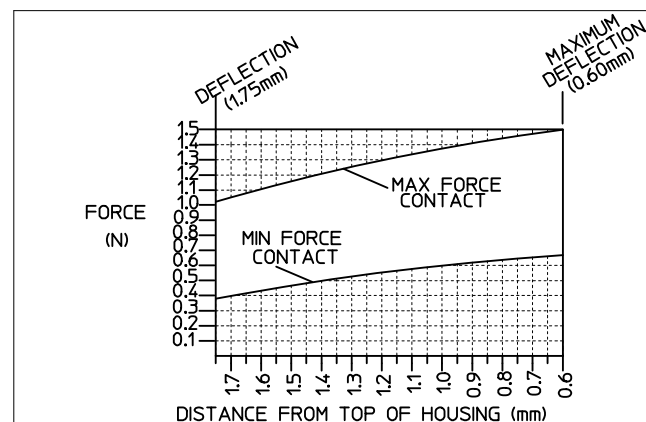
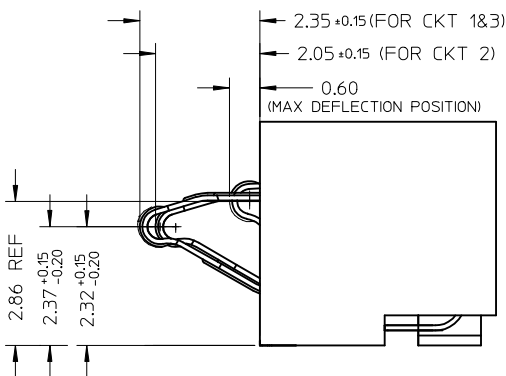
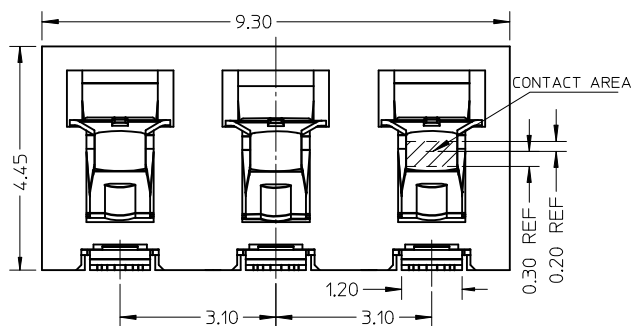
4. PRODUCT SPECIFICATION PS-105051-001

5. PACKAGING SPECIFICATION PK-105051-001.

NEW DRAWING IEC NO: S2015-1012 DRWN: JZENG 2015/06/19 CH'KD: JTAN02 2015/06/29 APPR: KHL IM 2015/07/14	QUALITY SYMBOLS $F_{\Delta} = 0$ $F_{\square} = 0$ $F_{\nabla} = 0$	GENERAL TOLERANCES (UNLESS SPECIFIED)		DIMENSION STYLE MM ONLY	SCALE TITLE	DESIGN UNITS METRIC	THIRD ANGLE PROJECTION		
		4 PLACES ± --- ± --- 3 PLACES ± --- ± --- 2 PLACES ± 0.15 ± --- 1 PLACE ± 0.20 ± --- 0 PLACE ± --- ± ---	mm INCH	DRAWN BY JZENG	DATE 2015/06/19	3CKT BATT CONN R/A 4.45MM HEIGH			
		ANGULAR ± 3 °		CHECKED BY JTAN02	DATE 2015/06/19				
		DRAFT WHERE APPLICABLE MUST REMAIN WITHIN DIMENSIONS		APPROVED BY KHL IM	DATE 2015/07/14				



RECOMMENDED PCB LAYOUT
TOLERANCE: +/-0.05mm



- MATERIALS.
HOUSING: PA4T, UL94 V-0. BLACK.
TERMINAL: COPPER ALLOY 0.10 REF THICKNESS.
NAIL: COPPER ALLOY 0.20 REF THICKNESS.
TERMINAL PLATING: GOLD FLASH IN SOLDER AREA.
0.76um GOLD OVER 2.5um Min NICKEL IN CONTACT AREA ON DOME.
NAIL PLATING: 3um MIN TIN.
- DATE CODE CONSISTING OF * * * *
DAY
WEEK
YEAR
- 0.10MM COPLANARITY AMONG TERMINAL SOLDER TAILS AND FITTING NAILS.
- PRODUCT SPECIFICATION PS-105051-001
- PACKAGING SPECIFICATION PK-105051-001.

NEW DRAWING IEC NO: S2015-1012 DRWN: JZENG 2015/06/19 CHKD: JTAN02 2015/06/29 APPR: KHL IM 2015/07/14	QUALITY SYMBOLS F ₀ =0 F ₀ =0 F ₀ =0	GENERAL TOLERANCES (UNLESS SPECIFIED)		DIMENSION STYLE	SCALE	DESIGN UNITS	THIRD ANGLE PROJECTION
				MM ONLY		METRIC	
				DRAWN BY	DATE	TITLE	
				CHECKED BY	DATE		
				JZENG	2015/06/19	3CKT BATT CONN R/A 4.45MM HEIGH	
				JTAN02	2015/06/19		
				KHL IM	2015/07/14		
				MATERIAL NO.	DOCUMENT NO.		
				1050511000	SD-105051-1000		
				SIZE A3	THIS DRAWING CONTAINS INFORMATION THAT IS PROPRIETARY TO MOLEX INCORPORATED AND SHOULD NOT BE USED WITHOUT WRITTEN PERMISSION		SHEET NO. 1 OF 1