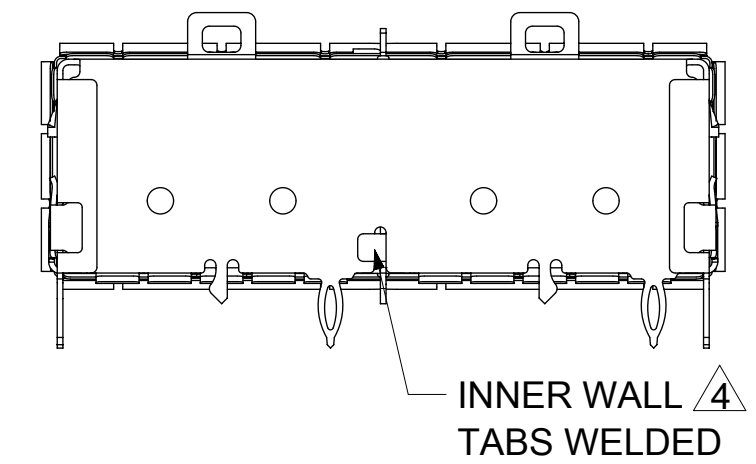
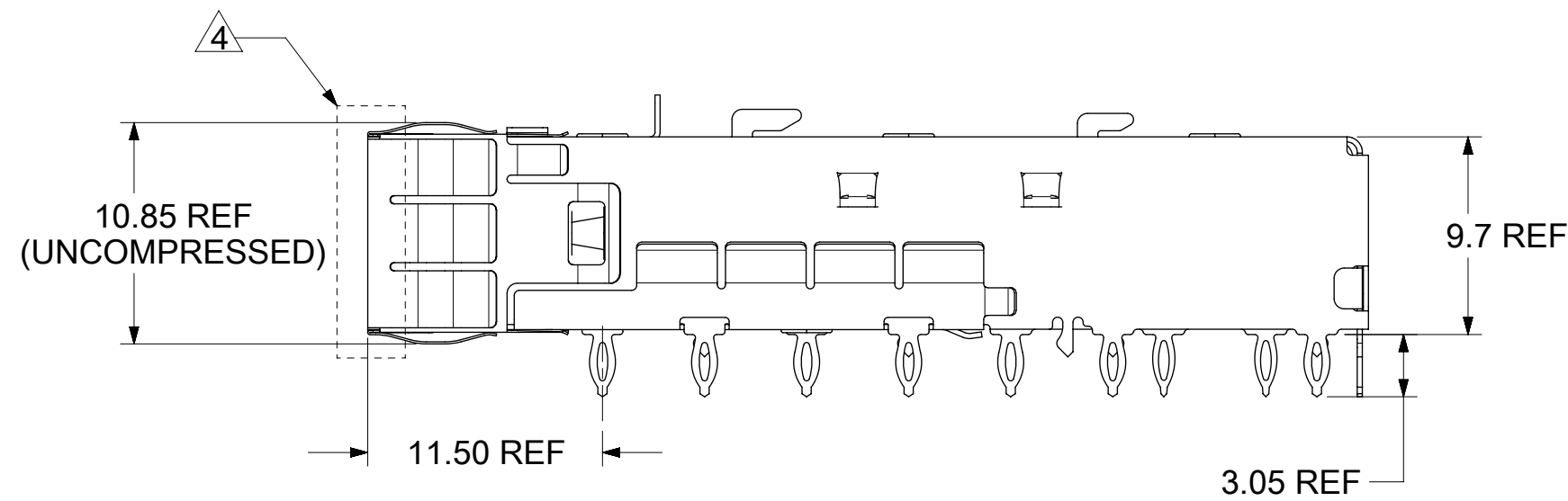
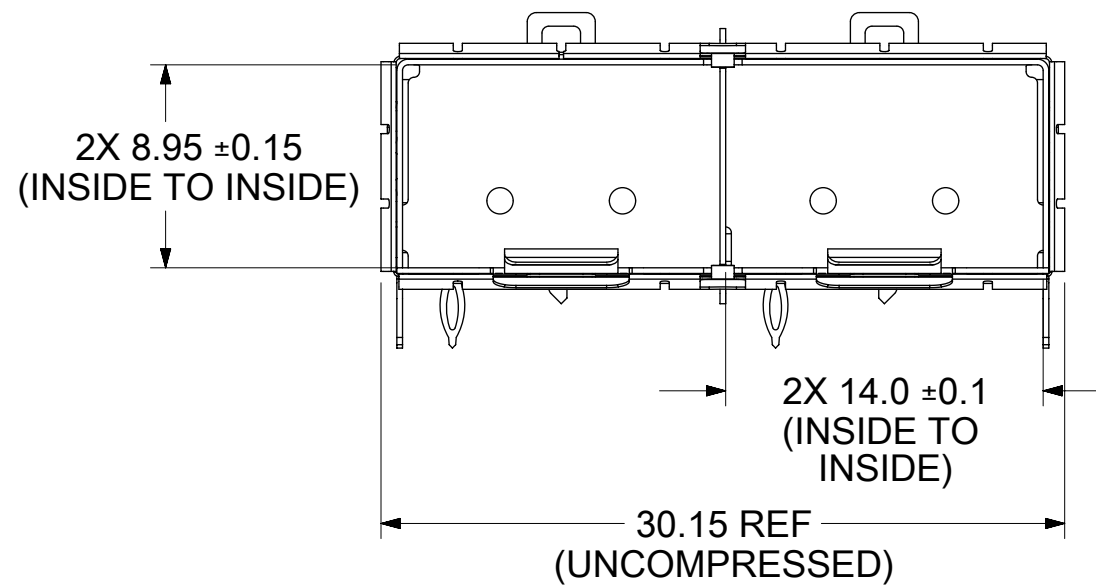
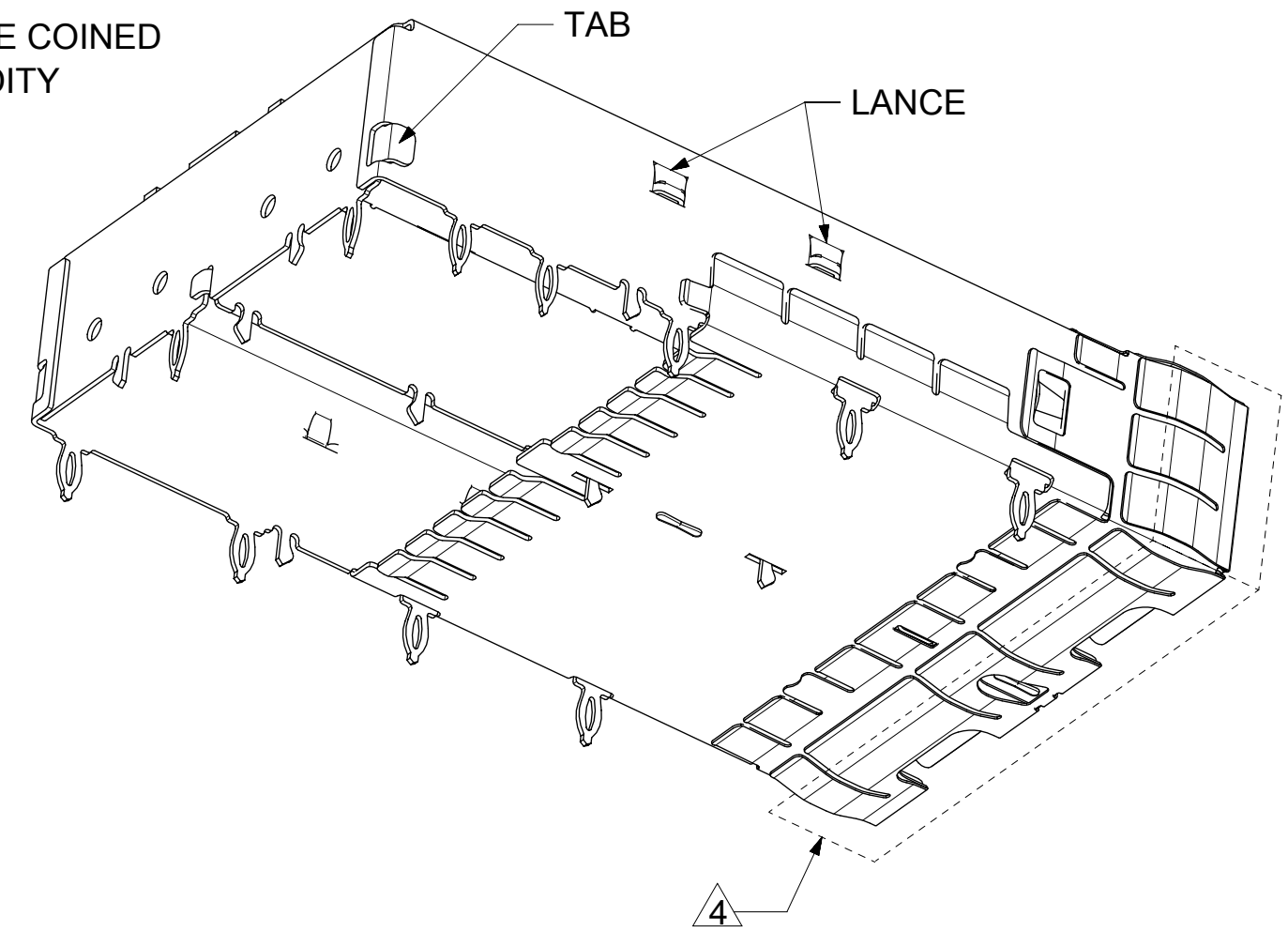
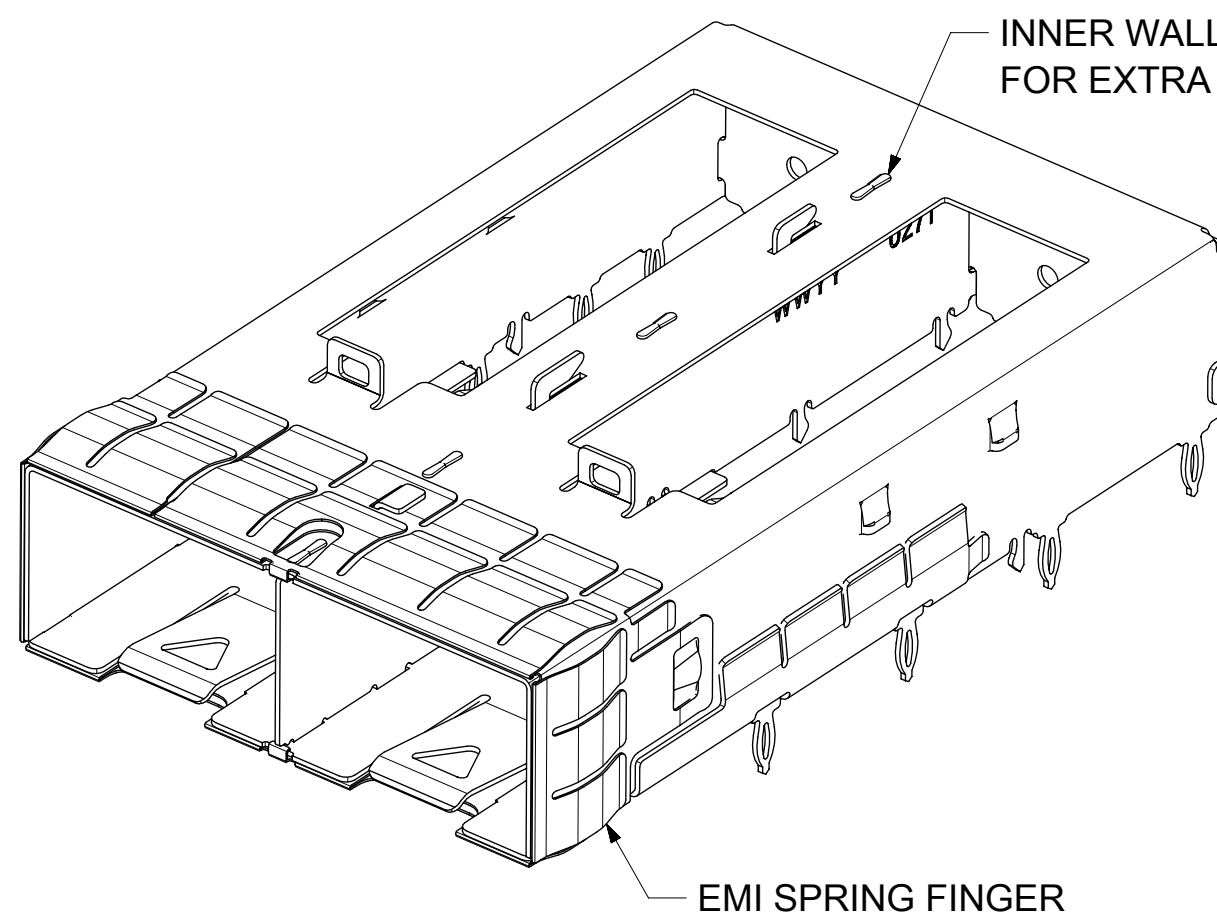
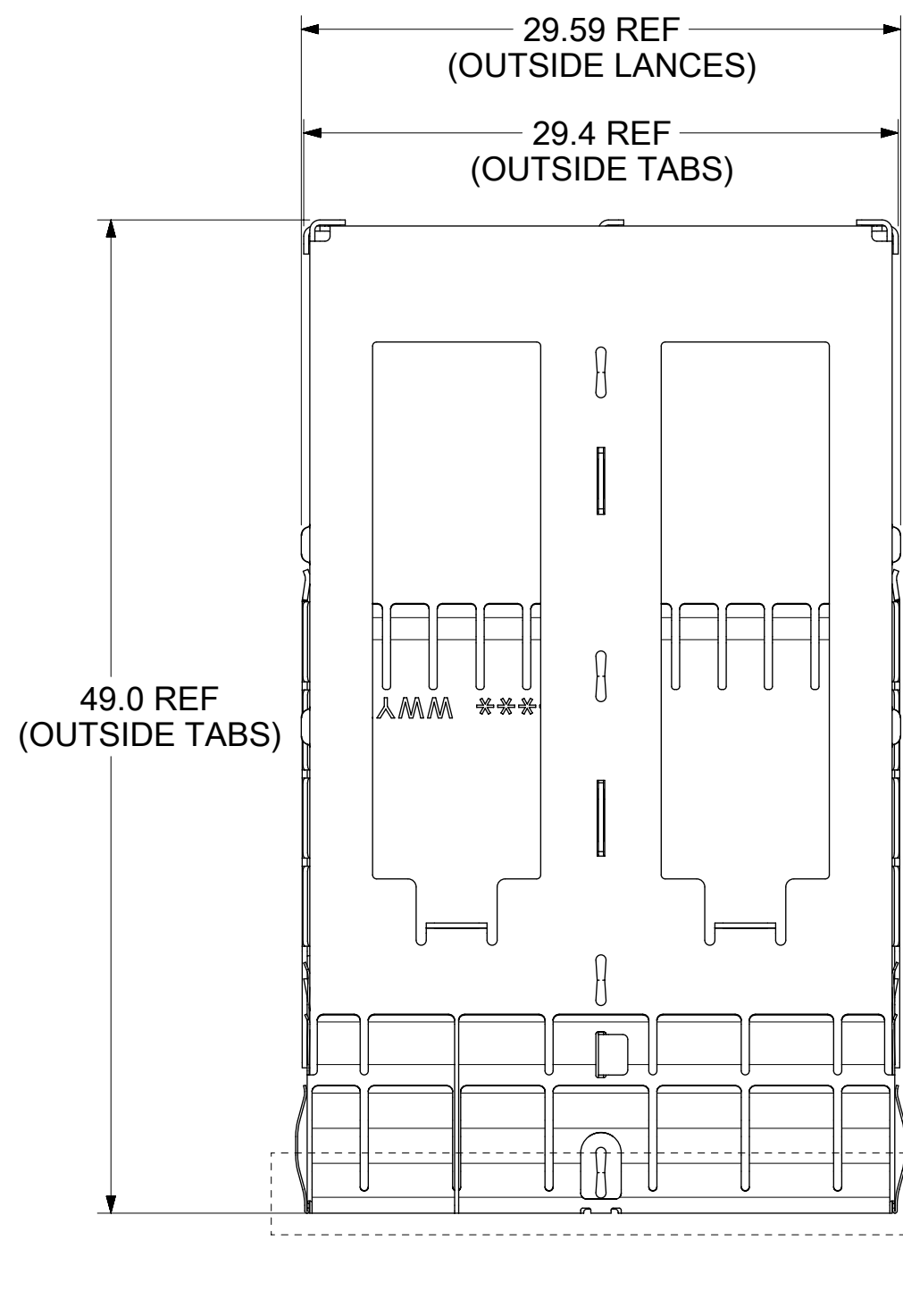


CAGE ASSEMBLY

HEAT SINK, LIGHT PIPE AND CLIP NOT SHOWN FOR CLARITY



NOTES:

1. MATERIAL:
CAGE: 0.25mm THICK COPPER ALLOY, NICKEL PLATED.
SPRING FINGERS: STAINLESS STEEL.
HEATSINK: ALUMINUM, BLACK ANODIZED
HEATSINK SPRING CLIP: STAINLESS STEEL.
2. PRESS FIT LEGS: 3.05MM LONG
3. PORTS ARE DESIGNED FOR SFP+ TRANSCEIVERS AND ARE COMPATIBLE WITH SFP TRANSCEIVERS. THE TOP SURFACE OF THE MODULE MUST BE FLAT (NO PRODUCT LABEL RECESS) AND THERMALLY CONDUCTIVE TO FUNCTION OPTIMALLY.
4. WELD SPOT MAY SHOW SLIGHT MATERIAL DISCOLORATION.
5. NO RoHS EXEMPTIONS.
6. 1.5mm MINIMUM PCB THICKNESS FOR SINGLE SIDED USE.
7. 3.0mm MINIMUM PCB THICKNESS FOR BELLY TO BELLY USE.

| P/N | HEAT SINK | LIGHT PIPE | SHEET NO. |
|------------|---------------------------|-----------------|-----------|
| 1111128283 | CUSTOM SOLID HS | DUAL LIGHT PIPE | SHEET 2 |
| 1111128284 | CUSTOM SOLID HS WITH TAIL | N/A | SHEET 3 |
| 1111128285 | CUSTOM SOLID HS | DUAL LIGHT PIPE | SHEET 4 |

| | | | | | | | |
|---|---|------------------------|--------------------------------------|-----------------|-----------------|----------|--------------|
| FUNCTIONAL SYMBOLS $\nabla_A = 0$ $\nabla_E = 0$ $\nabla_P = 0$ | THIS DRAWING CONTAINS INFORMATION THAT IS PROPRIETARY TO MOLEX ELECTRONIC TECHNOLOGIES, LLC AND SHOULD NOT BE USED WITHOUT WRITTEN PERMISSION | | CURRENT REV DESC: SEE REVISION TABLE | | | | |
| | DIMENSION UNITS | SCALE | | | | | |
| | mm | 3:1 | | | | | |
| | GENERAL TOLERANCES (UNLESS SPECIFIED) | | | | | | |
| DIVISIONAL SYMBOLS | ANGULAR TOL | ± 2.0° | EC NO: 707262 | | | | |
| | 4 PLACES | ± | DRWN: ABHILT2 | 2022/04/12 | | | |
| | 3 PLACES | ± | CHK'D: TKUMARKC | 2022/05/26 | | | |
| | 2 PLACES | ± 0.13 | APPR: SCHIEN | 2022/05/27 | | | |
| 1 PLACE | ± 0.25 | INITIAL REVISION: | | | | | |
| 0 PLACES | ± | DRWN: ABHILT2 | 2022/04/12 | DOCUMENT NUMBER | | | |
| DRAFT WHERE APPLICABLE MUST REMAIN WITHIN DIMENSIONS | | THIRD ANGLE PROJECTION | DRAWING | SERIES | MATERIAL NUMBER | CUSTOMER | SHEET NUMBER |
| | | | C-SIZE | 111112 | SEE P/N TABLE | | 1 OF 9 |

molex

SFP+ 1X2 CAGE ASSY PRESS FIT TYPE
W/ SUS SF, CUSTOM HEATSINK AND DUAL LP, BELLY TO BELLY MOUNTING

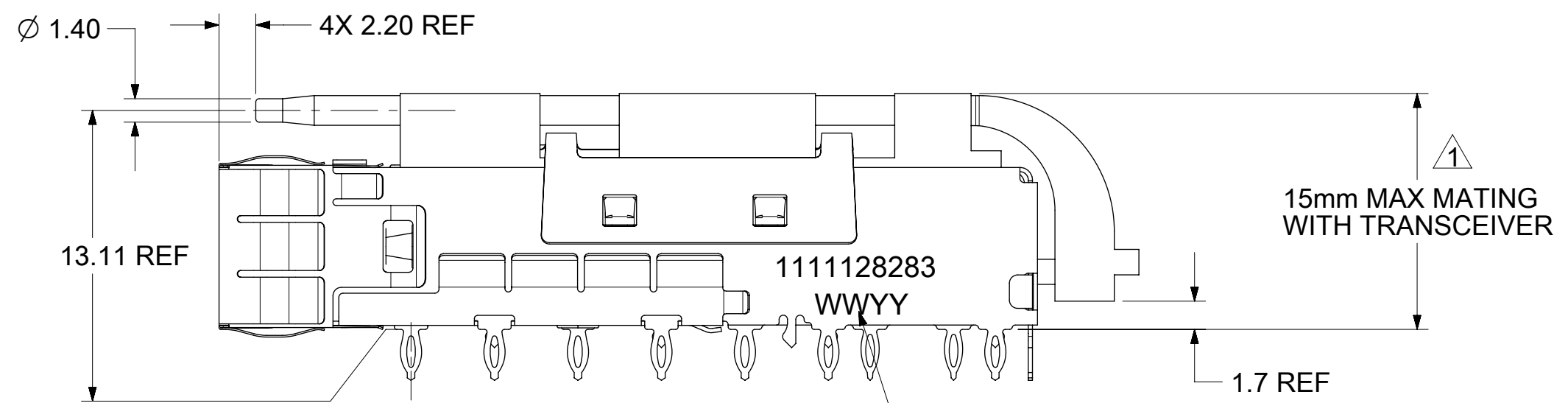
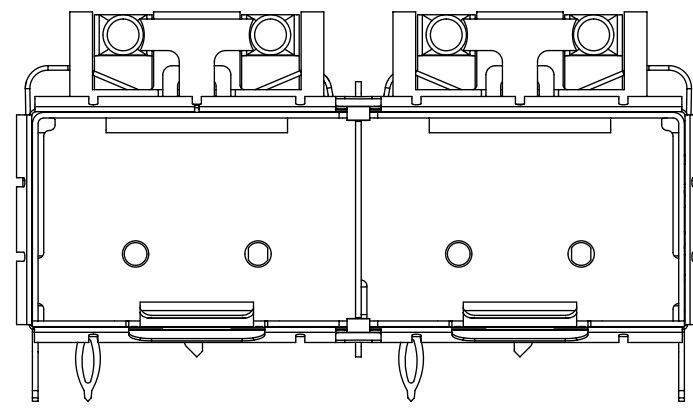
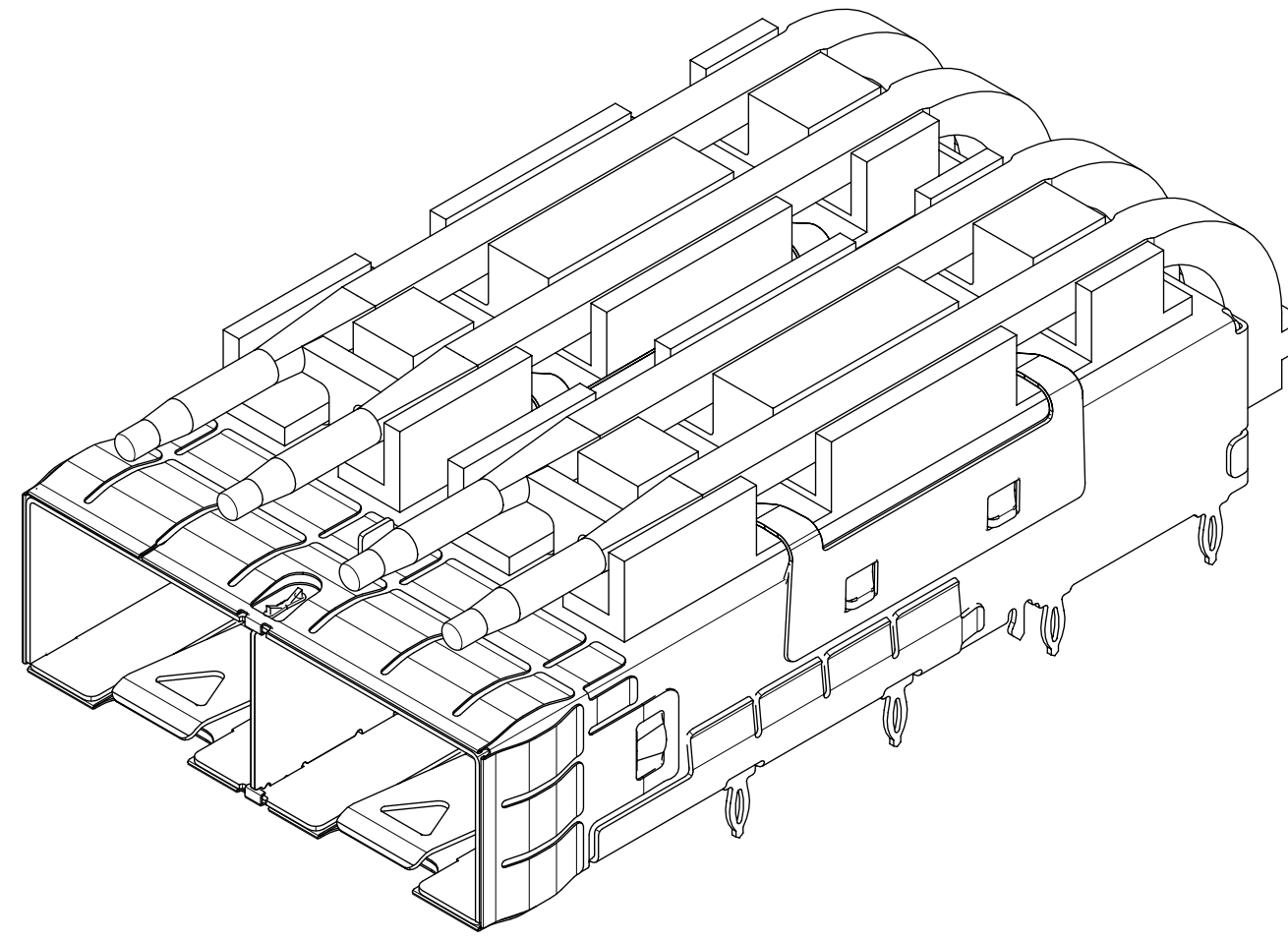
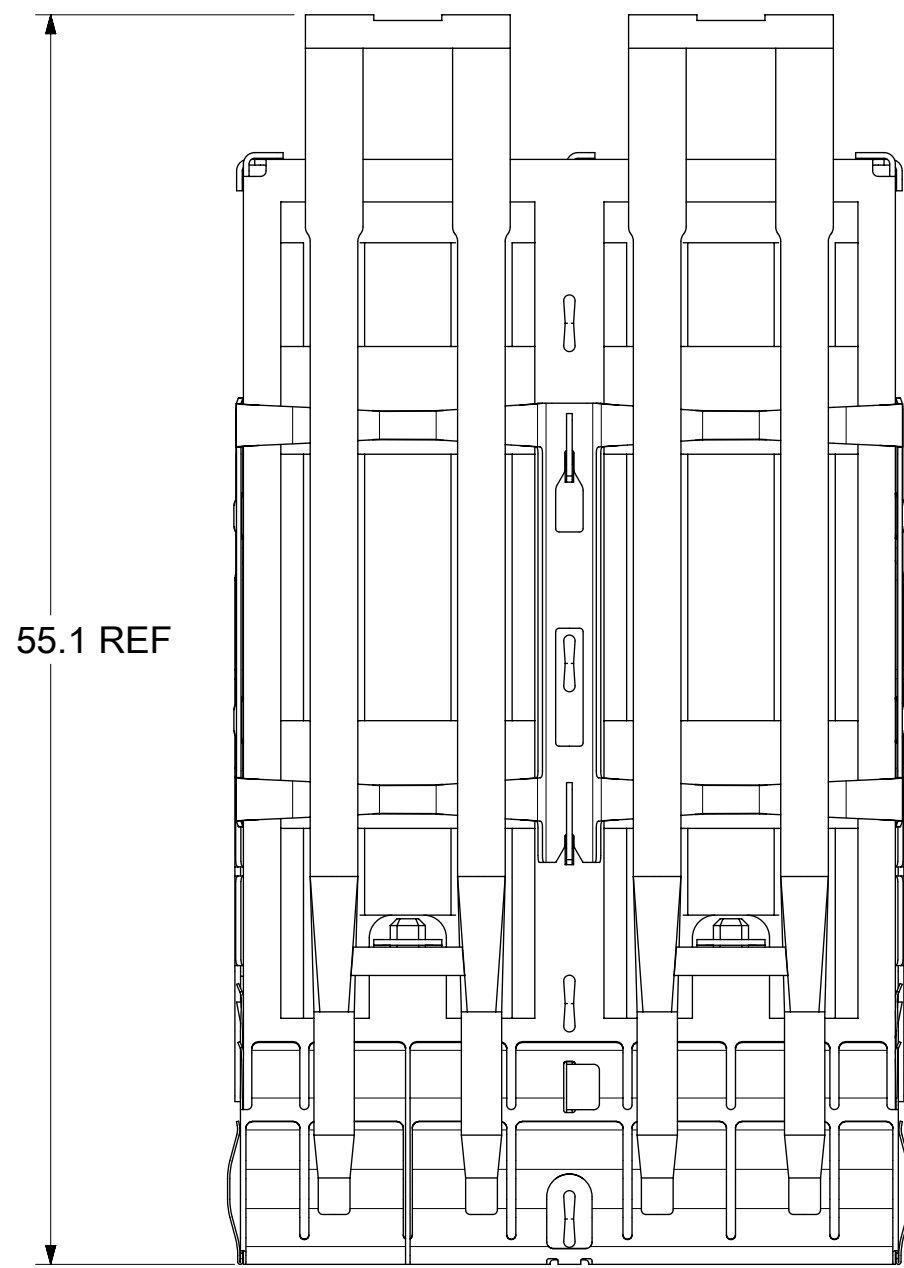
PRODUCT CUSTOMER DRAWING

| | | | |
|-----------------|----------|----------|----------|
| DOCUMENT NUMBER | DOC TYPE | DOC PART | REVISION |
| 1111128283 | PSD | ASY | A |

CAGE ASSEMBLY W/ HEAT SINK & LIGHT PIPE

111128283

SHOWN



PART NO. AND WEEK/YEAR DATE CODE TO BE PRINTED ON THE SIDE OF COMPLETED CAGE ASSEMBLY APPROXIMATELY AS SHOWN.

| | |
|----|---|
| WW | 01 THRU 52 OR 53 EXAMPLE: 01= FIRST WEEK OF YEAR 52 = LAST WEEK OF YEAR |
| YY | 22,23,24 ETC. EXAMPLE: YEAR 2022 = 22 |

NOTE: ¹ HEIGHT OF HEATSINK WITH MODULE INSERTED DIMENSION MAY BE LESS DUE TO MODULE AND HEATSINK VARIATIONS

| | | | | |
|--|---|------------------------|--------------------------------------|---------------------|
| FUNCTIONAL SYMBOLS | THIS DRAWING CONTAINS INFORMATION THAT IS PROPRIETARY TO MOLEX ELECTRONIC TECHNOLOGIES, LLC AND SHOULD NOT BE USED WITHOUT WRITTEN PERMISSION | | CURRENT REV DESC: SEE REVISION TABLE | |
| | DIMENSION UNITS | SCALE | | |
| $\nabla_A = 0$ | mm | 1:1 | | |
| $\nabla_C = 0$ | GENERAL TOLERANCES (UNLESS SPECIFIED) | | | |
| | ANGULAR TOL | ± 2.0° | | |
| DIVISIONAL SYMBOLS | 4 PLACES | ± | EC NO: 707262 | |
| | 3 PLACES | ± | DRWN: ABHILT2 | 2022/04/12 |
| | 2 PLACES | ± 0.13 | CHK'D: TKUMARKC | 2022/05/26 |
| | 1 PLACE | ± 0.25 | APPR: SCHIEN | 2022/05/27 |
| 0 PLACES | ± | INITIAL REVISION: | | |
| DRAFT WHERE APPLICABLE MUST REMAIN WITHIN DIMENSIONS | | THIRD ANGLE PROJECTION | DRAWING | SERIES |
| | | | C-SIZE | 111112 |
| DOCUMENT STATUS | | P1 | RELEASE DATE | 2022/05/27 10:20:27 |
| DOCUMENT NUMBER | | CUSTOMER | | SHEET NUMBER |
| 111128283 | | SEE P/N TABLE | | 2 OF 9 |
| DOC TYPE | | DOC PART | REVISION | |
| PSD | | ASY | A | |

molex

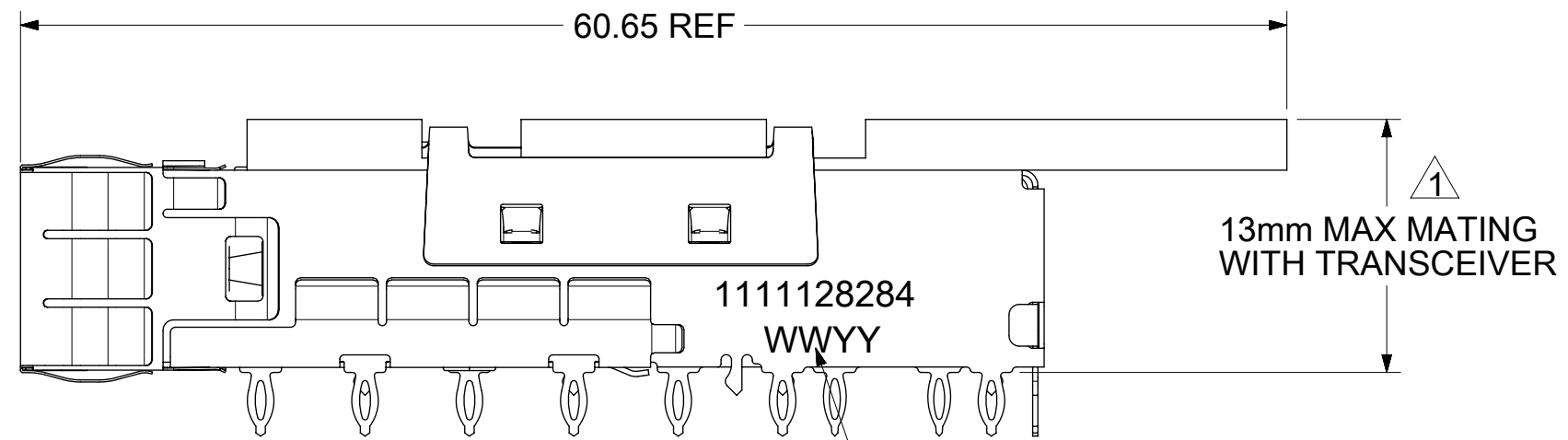
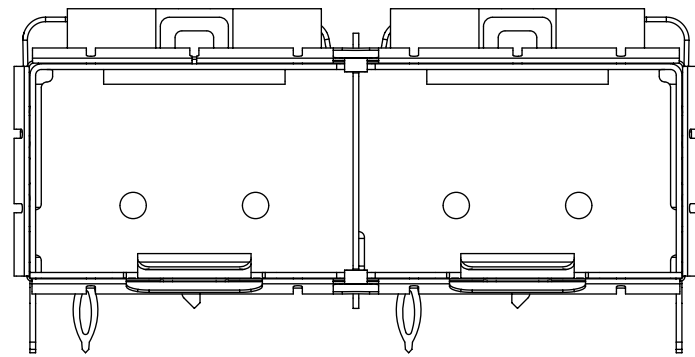
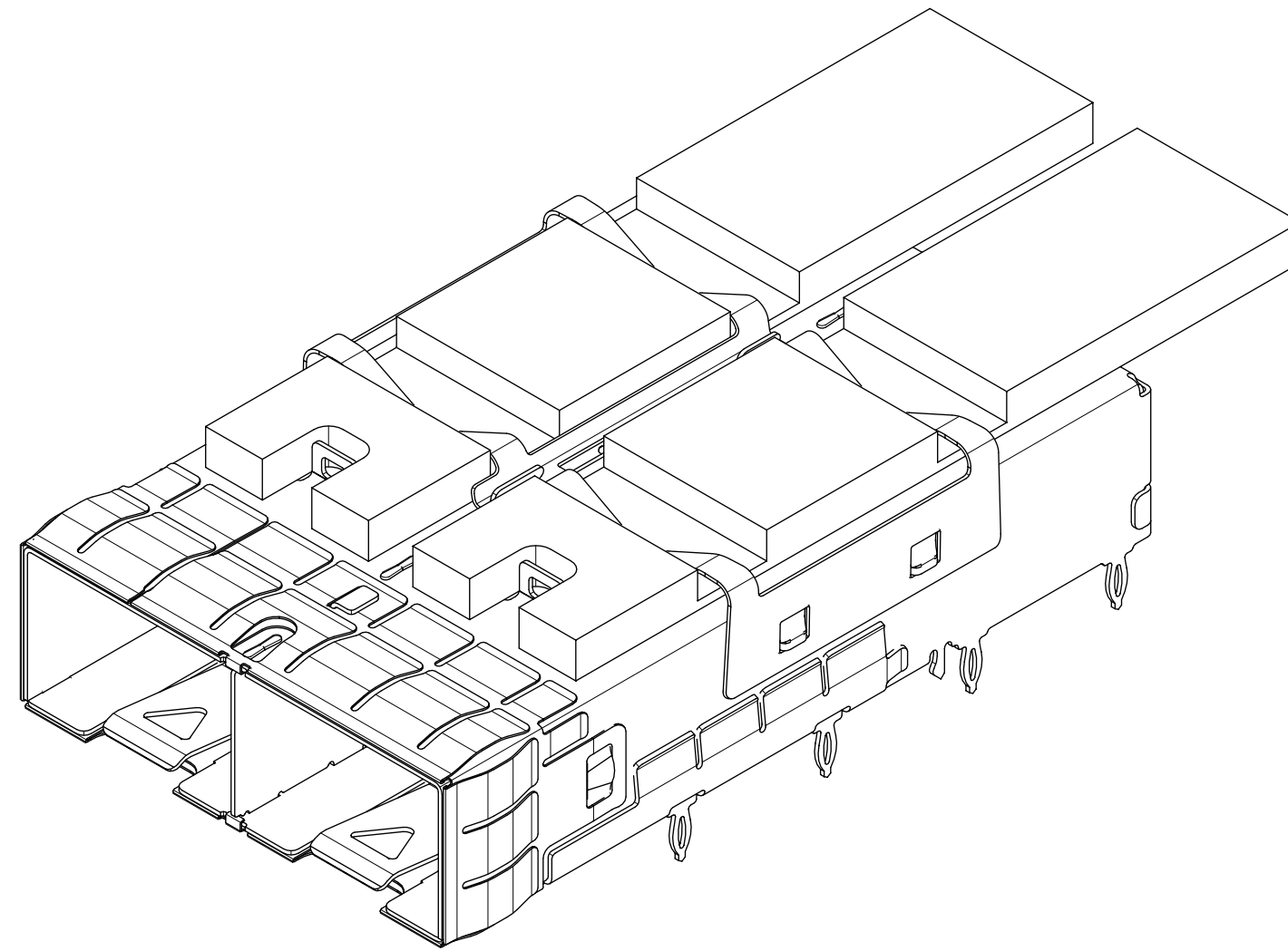
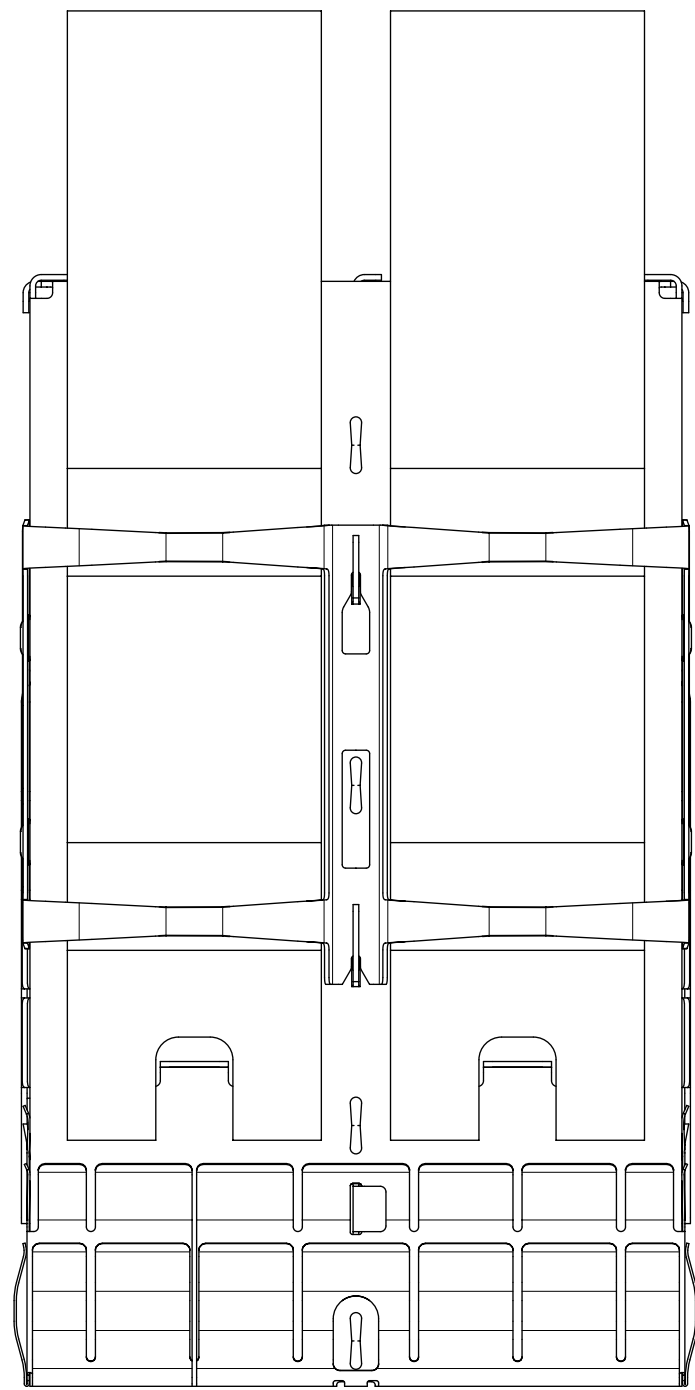
SFP+ 1X2 CAGE ASSY PRESS FIT TYPE
W/ SUS SF, CUSTOM HEATSINK AND DUAL LP, BELLY
TO BELLY MOUNTING

PRODUCT CUSTOMER DRAWING

CAGE ASSEMBLY W/ HEAT SINK

111128284

SHOWN



PART NO. AND WEEK/YEAR DATE CODE TO BE PRINTED ON THE SIDE OF COMPLETED CAGE ASSEMBLY APPROXIMATELY AS SHOWN.

| | |
|----|---|
| WW | 01 THRU 52 OR 53 EXAMPLE: 01= FIRST WEEK OF YEAR 52 = LAST WEEK OF YEAR |
| YY | 22,23,24 ETC. EXAMPLE: YEAR 2022 = 22 |

NOTE: HEIGHT OF HEATSINK WITH MODULE INSERTED DIMENSION MAY BE LESS DUE TO MODULE AND HEATSINK VARIATIONS

| | | | | |
|--|---|------------------------|--------------------------------------|------------|
| FUNCTIONAL SYMBOLS | THIS DRAWING CONTAINS INFORMATION THAT IS PROPRIETARY TO MOLEX ELECTRONIC TECHNOLOGIES, LLC AND SHOULD NOT BE USED WITHOUT WRITTEN PERMISSION | | CURRENT REV DESC: SEE REVISION TABLE | |
| | DIMENSION UNITS | SCALE | | |
| = 0 | mm | 3:1 | | |
| GENERAL TOLERANCES (UNLESS SPECIFIED) | | | | |
| | ANGULAR TOL | ± 2.0° | | |
| DIVISIONAL SYMBOLS | 4 PLACES | ± | EC NO: 707262 | |
| | 3 PLACES | ± | DRWN: ABHILT2 | 2022/04/12 |
| | 2 PLACES | ± 0.13 | CHK'D: TKUMARKC | 2022/05/26 |
| | 1 PLACE | ± 0.25 | APPR: SCHIEN | 2022/05/27 |
| 0 PLACES | ± | INITIAL REVISION: | | |
| DRAFT WHERE APPLICABLE MUST REMAIN WITHIN DIMENSIONS | | THIRD ANGLE PROJECTION | DRAWING | SERIES |
| | | | C-SIZE | 111112 |
| DOCUMENT STATUS | | RELEASE DATE | MATERIAL NUMBER | CUSTOMER |
| P1 | 2022/05/27 10:20:27 | SEE P/N TABLE | | |
| DOCUMENT NUMBER | | | DOC TYPE | DOC PART |
| 111128283 | | | PSD | ASY |
| SHEET NUMBER | | | REVISION | |
| 3 OF 9 | | | A | |

molex

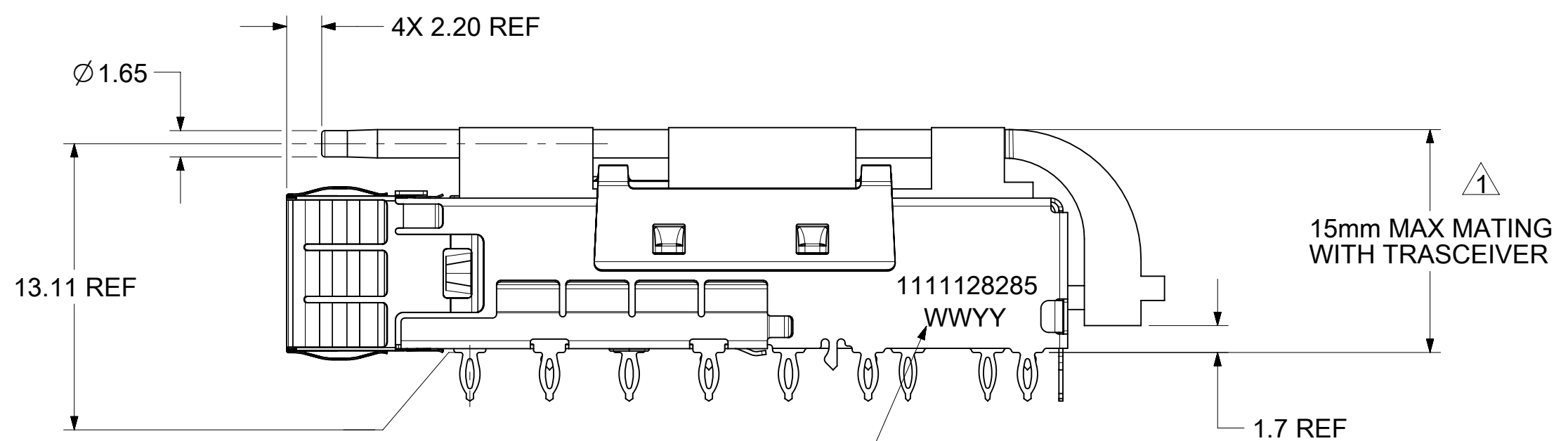
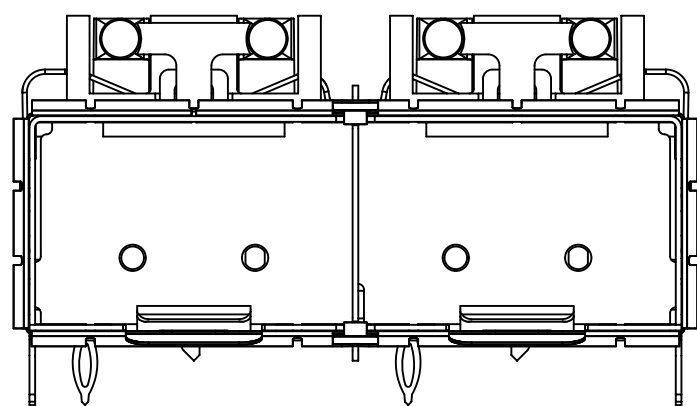
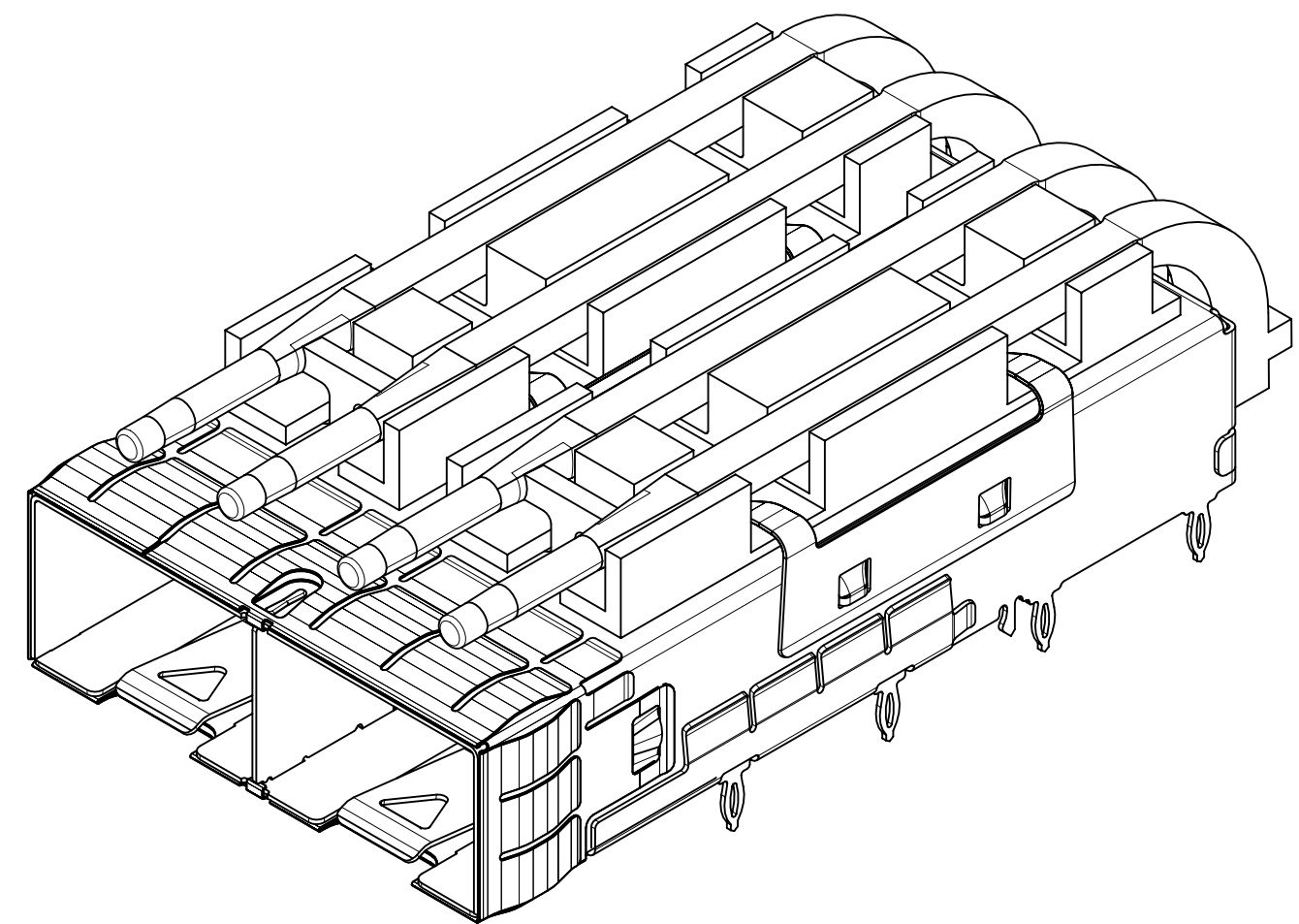
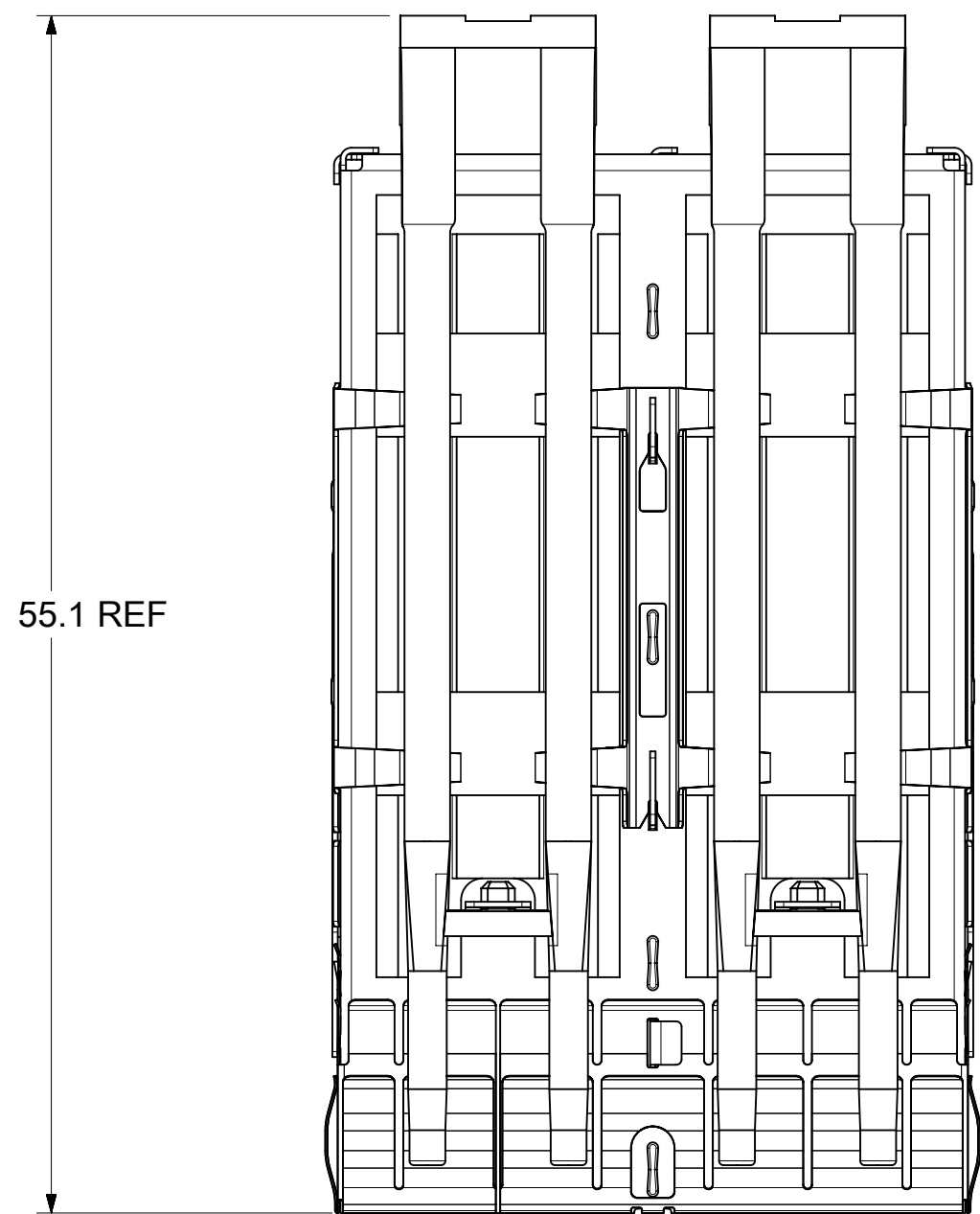
SFP+ 1X2 CAGE ASSY PRESS FIT TYPE
W/ SUS SF, CUSTOM HEATSINK AND DUAL LP, BELLY
TO BELLY MOUNTING

PRODUCT CUSTOMER DRAWING

CAGE ASSEMBLY W/ HEAT SINK

111128285

SHOWN



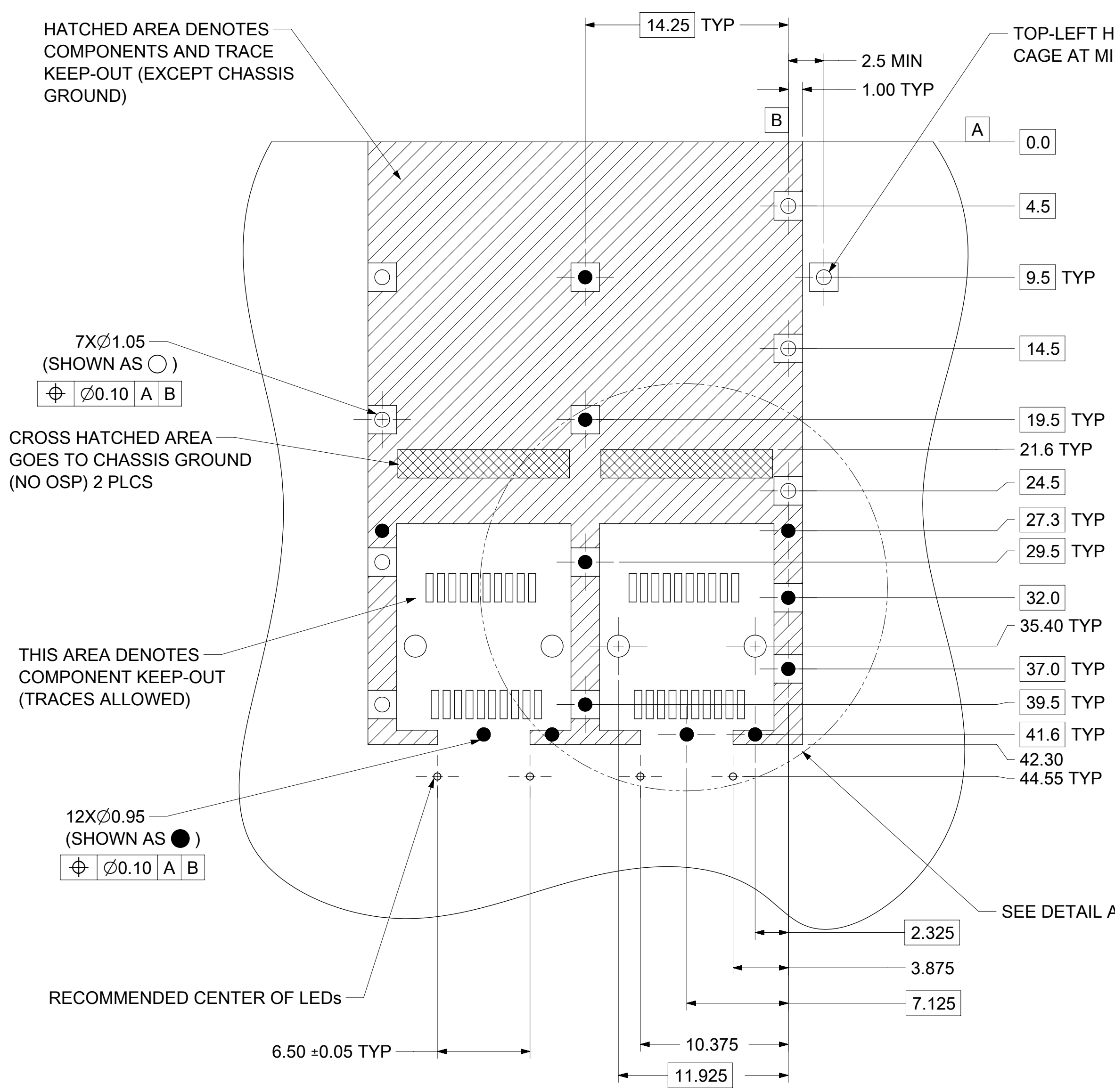
PART NO. AND WEEK/YEAR DATE CODE TO BE PRINTED ON THE SIDE OF COMPLETED CAGE ASSEMBY APPROXIMATELY AS SHOWN.

| | |
|----|---|
| WW | 01 THRU 52 OR 53 EXAMPLE: 01= FIRST WEEK OF YEAR 52 = LAST WEEK OF YEAR |
| YY | 22,23,24 ETC. EXAMPLE: YEAR 2022 = 22 |

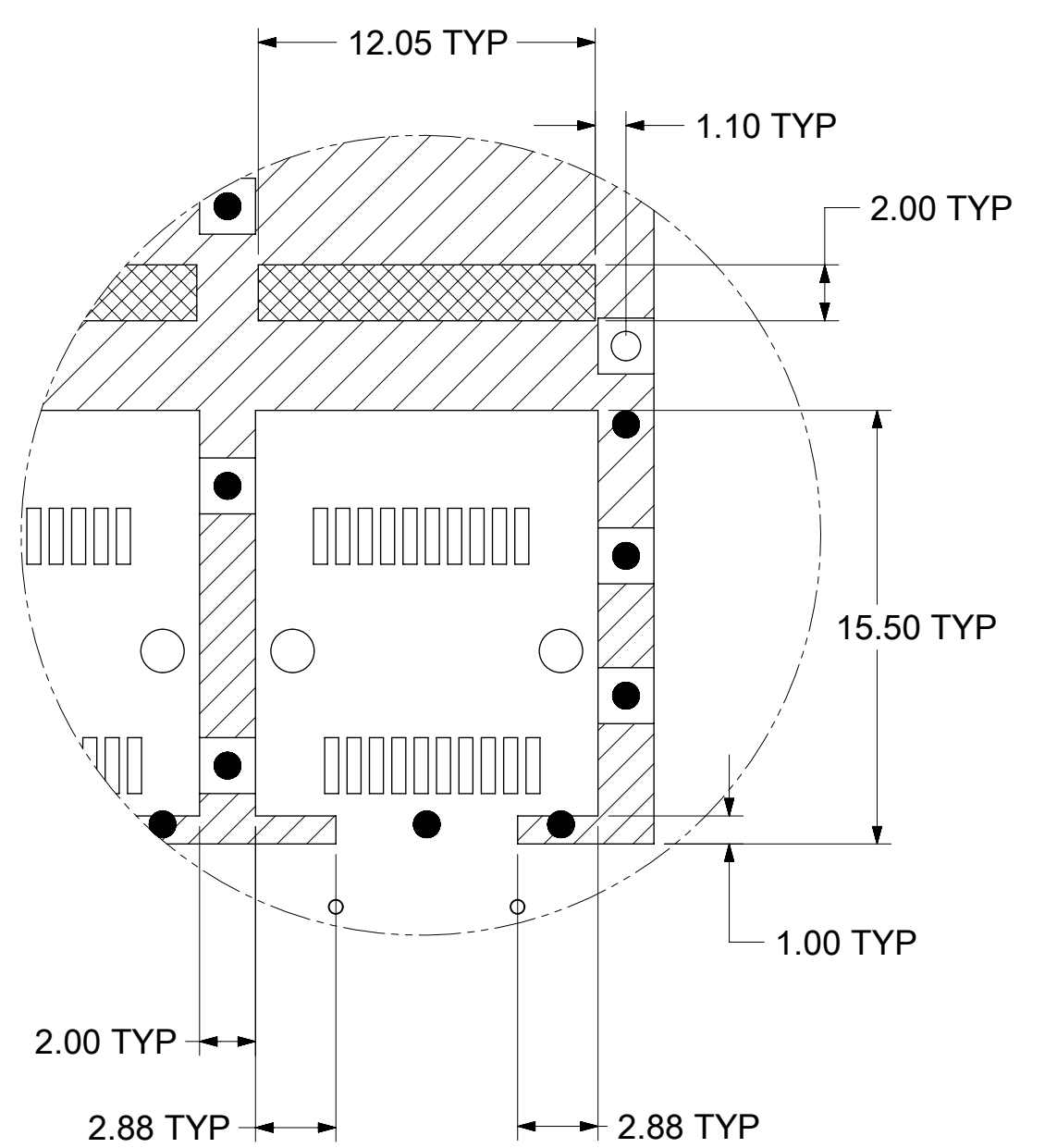
NOTE: HEIGHT OF HEATSINK WITH MODULE INSERTED DIMENSION MAY BE LESS DUE TO MODULE AND HEATSINK VARIATIONS

| | | | |
|--|---|---------------|--------------------------------------|
| FUNCTIONAL SYMBOLS | THIS DRAWING CONTAINS INFORMATION THAT IS PROPRIETARY TO MOLEX ELECTRONIC TECHNOLOGIES, LLC AND SHOULD NOT BE USED WITHOUT WRITTEN PERMISSION | | |
| = 0 | DIMENSION UNITS | SCALE | CURRENT REV DESC: SEE REVISION TABLE |
| = 0 | mm | 3:1 | |
| = 0 | GENERAL TOLERANCES (UNLESS SPECIFIED) | | |
| = 0 | ANGULAR TOL ± 2.0° | | |
| = 0 | 4 PLACES ± | | |
| DIVISIONAL SYMBOLS | 3 PLACES ± | | |
| | 2 PLACES ± 0.13 | | |
| | 1 PLACE ± 0.25 | | |
| | 0 PLACES ± | | |
| DRAFT WHERE APPLICABLE MUST REMAIN WITHIN DIMENSIONS | THIRD ANGLE PROJECTION | DRAWING | SERIES |
| | | C-SIZE | 111112 |
| | EC NO: 707262 | DRWN: ABHILT2 | 2022/04/12 |
| | CHK'D: TKUMARKC | APPR: SCHIEN | 2022/05/27 |
| | INITIAL REVISION: | DRWN: ABHILT2 | 2022/04/12 |
| | APPR: SCHIEN | 2022/05/27 | |
| | DOCUMENT NUMBER | DOC TYPE | DOC PART |
| | 111128283 | PSD | ASY |
| | MATERIAL NUMBER | CUSTOMER | SHEET NUMBER |
| | SEE P/N TABLE | | 4 OF 9 |

PCB LAYOUT FOR SINGLE SIDE MOUNTING



HOST CONNECTOR DETAIL

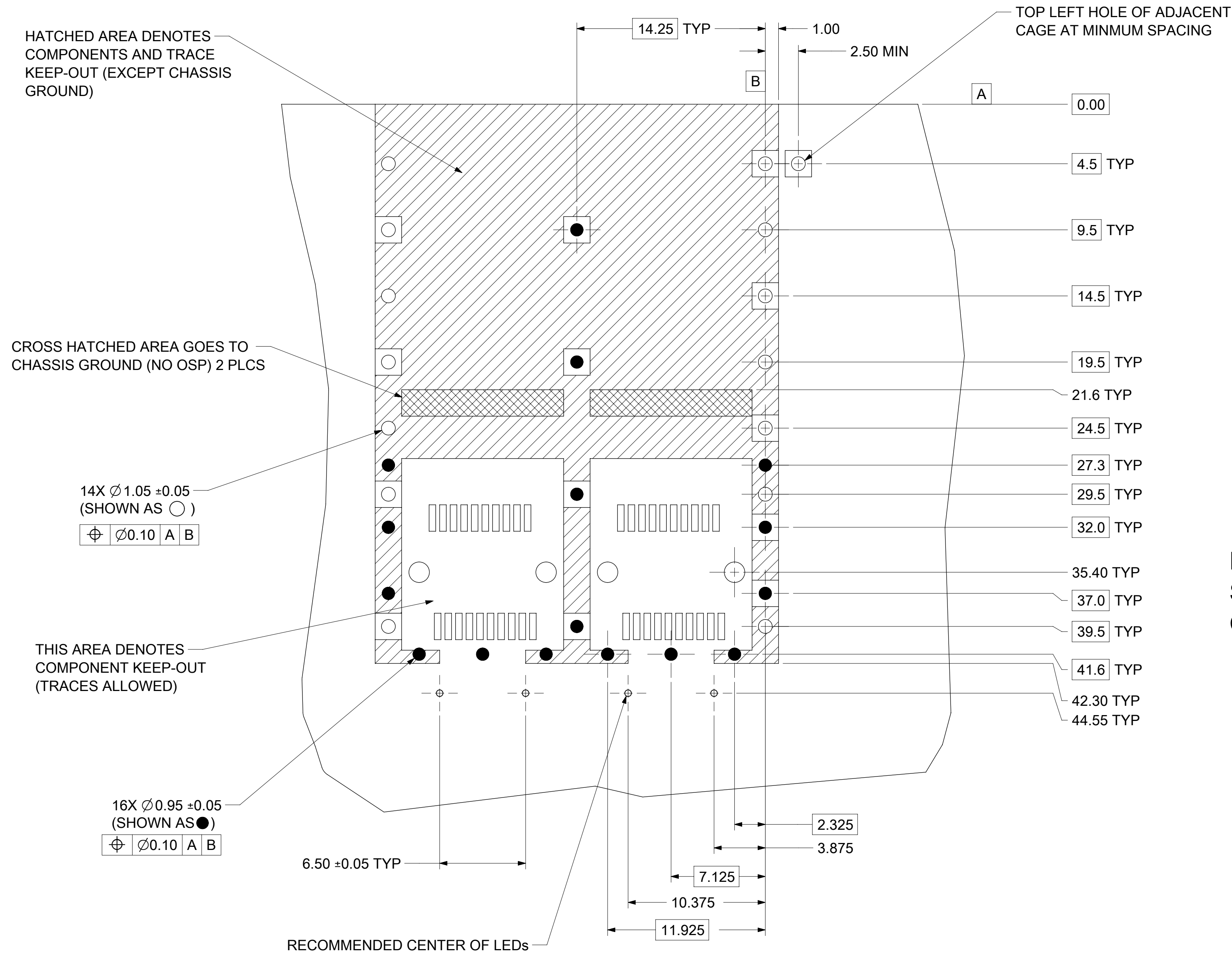


DETAIL A
SCALE 4:1

- NOTES:
1. PADS AND VIAS CONNECT TO CHASSIS GROUND RECOMMEND PADS TO BE 2.00mm SQUARE
 2. RECOMMENDED THRU HOLE PLATING INCLUDES HASL, OSP, OR IMMERSION (GOLD, SILVER, OR TIN)
 3. CONNECTOR PAD LAYOUT PER SFP+ MSA WILL ACCOMODATE MOLEX CONNECTOR SERIES 74441 OR EQUIVALENT.
 4. SPACING BETWEEN PORTS IS 14.25mm

| | | | | | | | |
|--|---|------------------------|--------------------------------------|--------|--|----------|--------------|
| FUNCTIONAL SYMBOLS | THIS DRAWING CONTAINS INFORMATION THAT IS PROPRIETARY TO MOLEX ELECTRONIC TECHNOLOGIES, LLC AND SHOULD NOT BE USED WITHOUT WRITTEN PERMISSION | | CURRENT REV DESC: SEE REVISION TABLE | | | | |
| | DIMENSION UNITS | SCALE | | | | | |
| $\nabla_A = 0$ | mm | 4:1 | | | EC NO: 707262 DRWN: ABHILT2 2022/04/12 CHK'D: TKUMARKC 2022/05/26 APPR: SCHIEN 2022/05/27 | | |
| $\nabla_C = 0$ | GENERAL TOLERANCES (UNLESS SPECIFIED) | | | | | | |
| $\nabla_P = 0$ | ANGULAR TOL ± 2.0° | | | | INITIAL REVISION: DRWN: ABHILT2 2022/04/12 APPR: SCHIEN 2022/05/27 | | |
| DIVISIONAL SYMBOLS | 4 PLACES ± | | | | | | |
| | 3 PLACES ± | | | | DOCUMENT NUMBER 111128283 | | |
| | 2 PLACES ± 0.13 | | | | | | |
| | 1 PLACE ± 0.25 | | | | DOC TYPE DOC PART REVISION PSD ASY A | | |
| | 0 PLACES ± | | | | | | |
| DRAFT WHERE APPLICABLE MUST REMAIN WITHIN DIMENSIONS | | THIRD ANGLE PROJECTION | DRAWING | SERIES | MATERIAL NUMBER | CUSTOMER | SHEET NUMBER |
| | | | C-SIZE | 111112 | SEE P/N TABLE | | 5 OF 9 |

PCB LAYOUT FOR BELLY TO BELLY MOUNTING



NOTE:
SEE SHEET 5 FOR HOST
CONNECTOR DETAIL

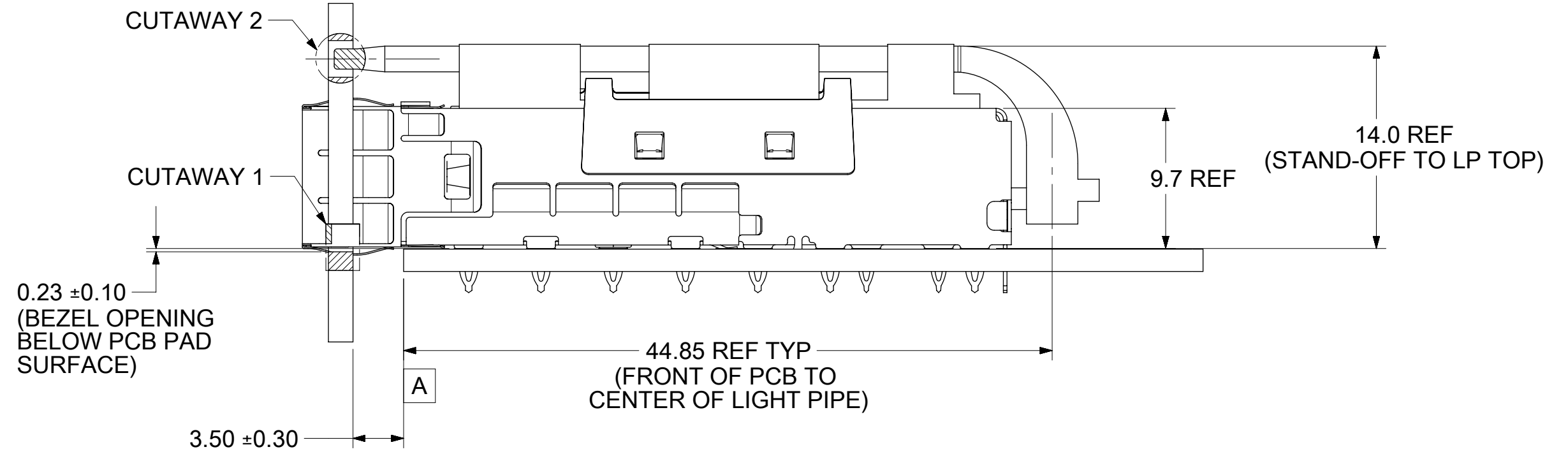
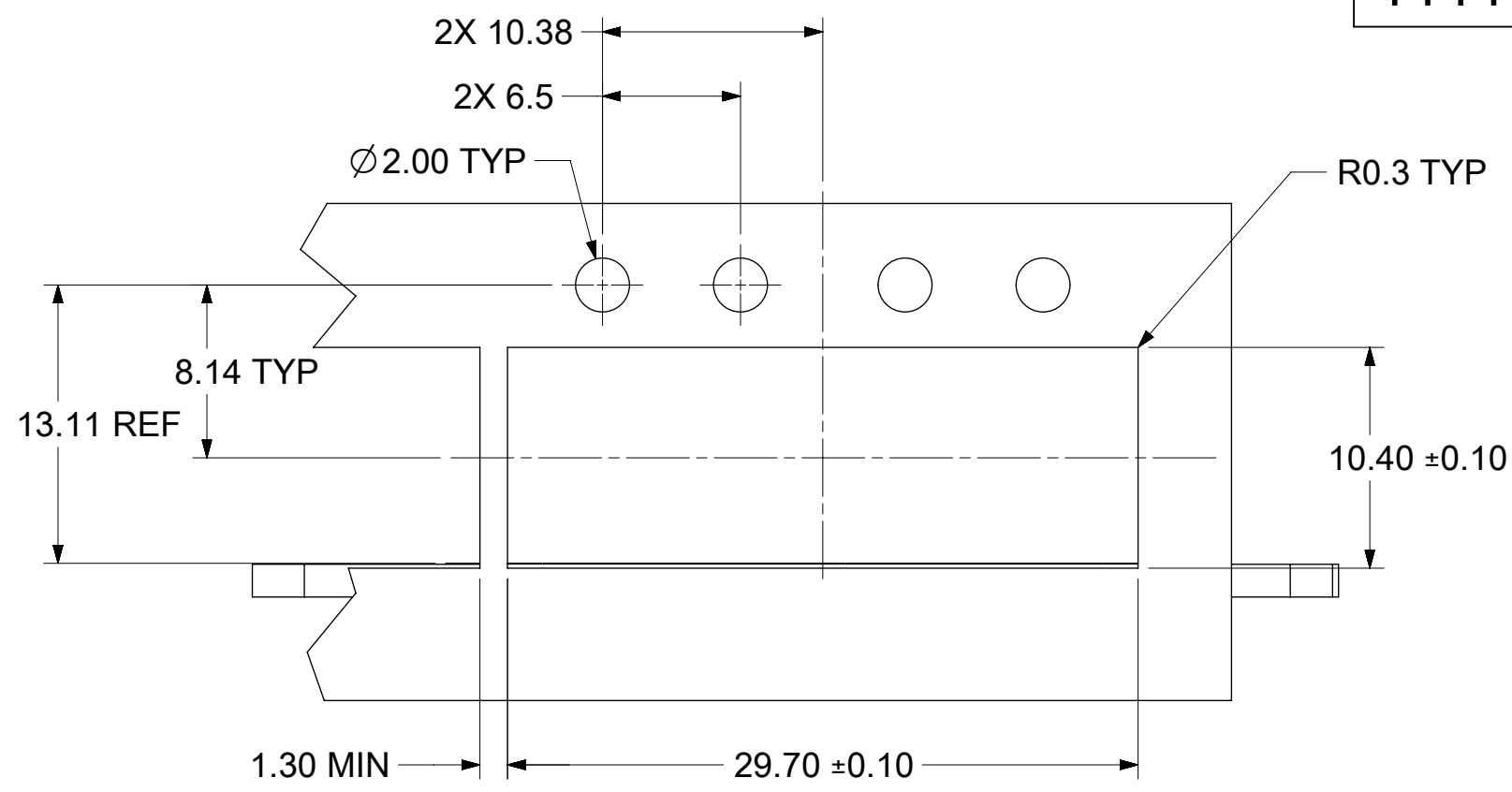
- NOTES:**
1. PADS AND VIAS CONNECT TO CHASSIS GROUND RECOMMEND PADS TO BE 2.00mm SQUARE
 2. RECOMMENDED THRU HOLE PLATING INCLUDES HASL, OSP, OR IMMERSION (GOLD, SILVER, OR TIN)
 3. CONNECTOR PAD LAYOUT PER SFP+ MSA WILL ACCOMODATE MOLEX CONNECTOR SERIES 74441 OR EQUIVALENT.
 4. SPACING BETWEEN PORTS IS 14.25mm

| | | | | |
|--|---|------------------------|--------------------------------------|----------|
| FUNCTIONAL SYMBOLS | THIS DRAWING CONTAINS INFORMATION THAT IS PROPRIETARY TO MOLEX ELECTRONIC TECHNOLOGIES, LLC AND SHOULD NOT BE USED WITHOUT WRITTEN PERMISSION | | CURRENT REV DESC: SEE REVISION TABLE | |
| | DIMENSION UNITS | SCALE | | |
| $\frac{F}{A} = 0$ | mm | 4.5:1 | | |
| $\frac{E}{C} = 0$ | GENERAL TOLERANCES (UNLESS SPECIFIED) | | | |
| | ANGULAR TOL $\pm 2.0^\circ$ | | | |
| DIVISIONAL SYMBOLS | 4 PLACES | \pm | | |
| | 3 PLACES | \pm | | |
| | 2 PLACES | ± 0.13 | | |
| | 1 PLACE | ± 0.25 | | |
| 0 PLACES | \pm | | | |
| DRAFT WHERE APPLICABLE MUST REMAIN WITHIN DIMENSIONS | | THIRD ANGLE PROJECTION | DRAWING | SERIES |
| | | | C-SIZE | 111112 |
| DOCUMENT STATUS | | DOC TYPE | DOC PART | REVISION |
| P1 | RELEASE DATE | PSD | ASY | A |
| 2022/05/27 | 10:20:27 | 111128283 | | |
| MATERIAL NUMBER | | CUSTOMER | SHEET NUMBER | |
| SEE P/N TABLE | | | 6 OF 9 | |

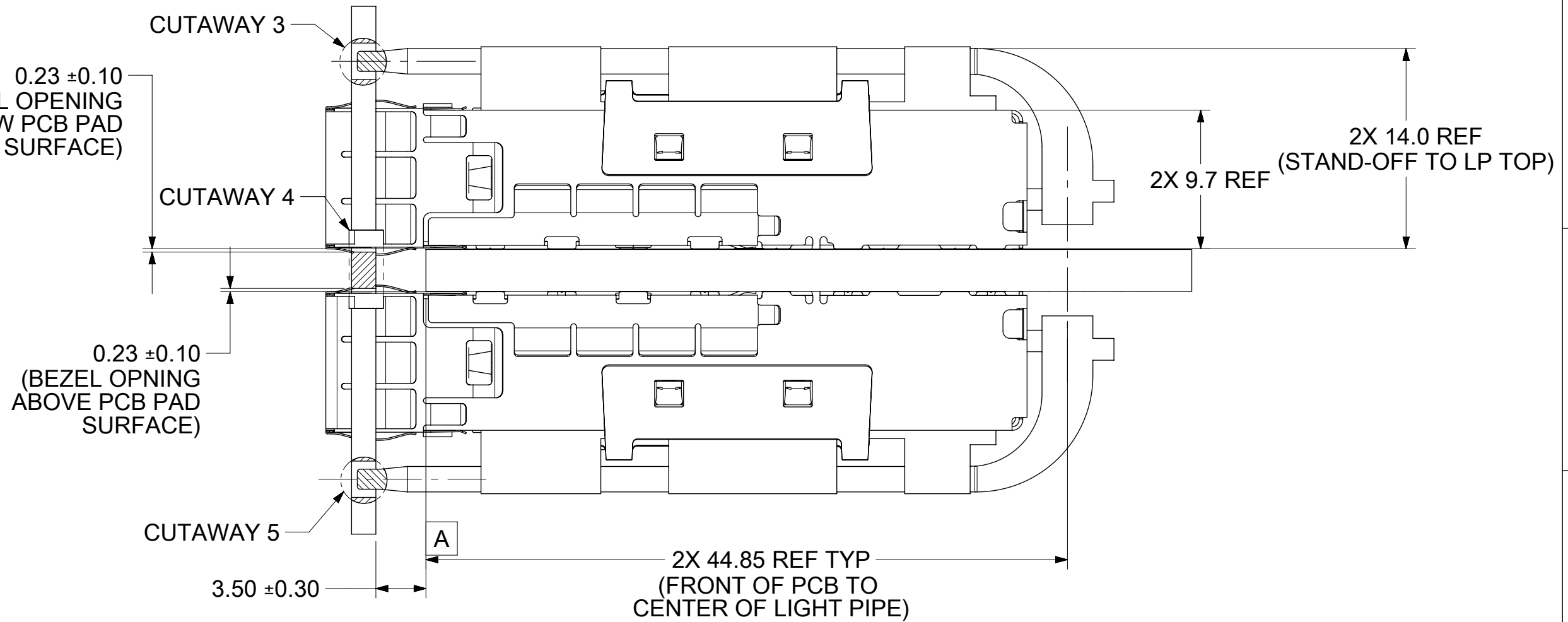
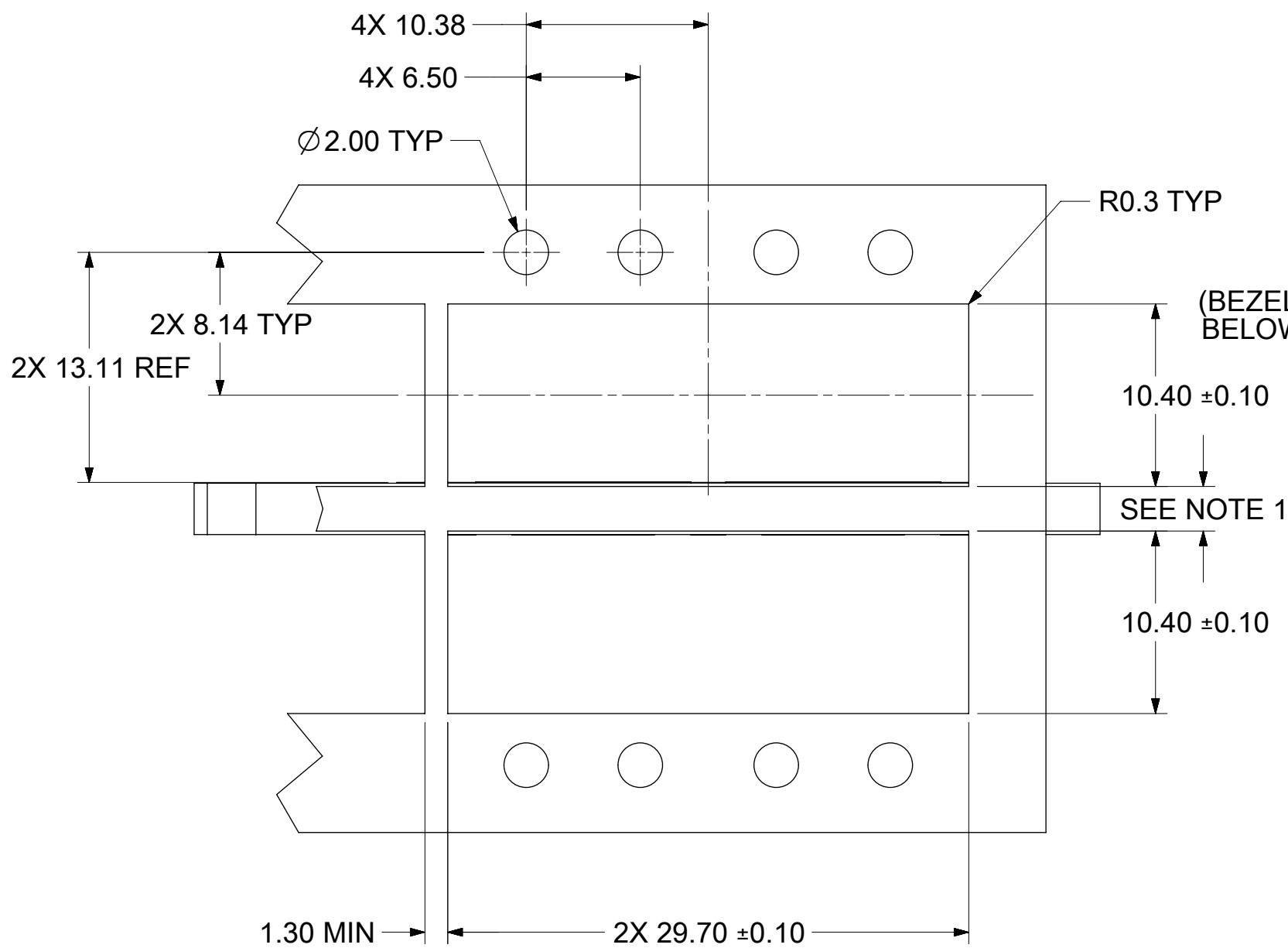
BEZEL AND BOARD POSITION DIMENSIONS FOR SINGLE SIDE MOUNTING

1111128283 & 1111128285

SHOWN



BEZEL AND BOARD POSITION DIMENSIONS FOR BELLY TO BELLY MOUNTING



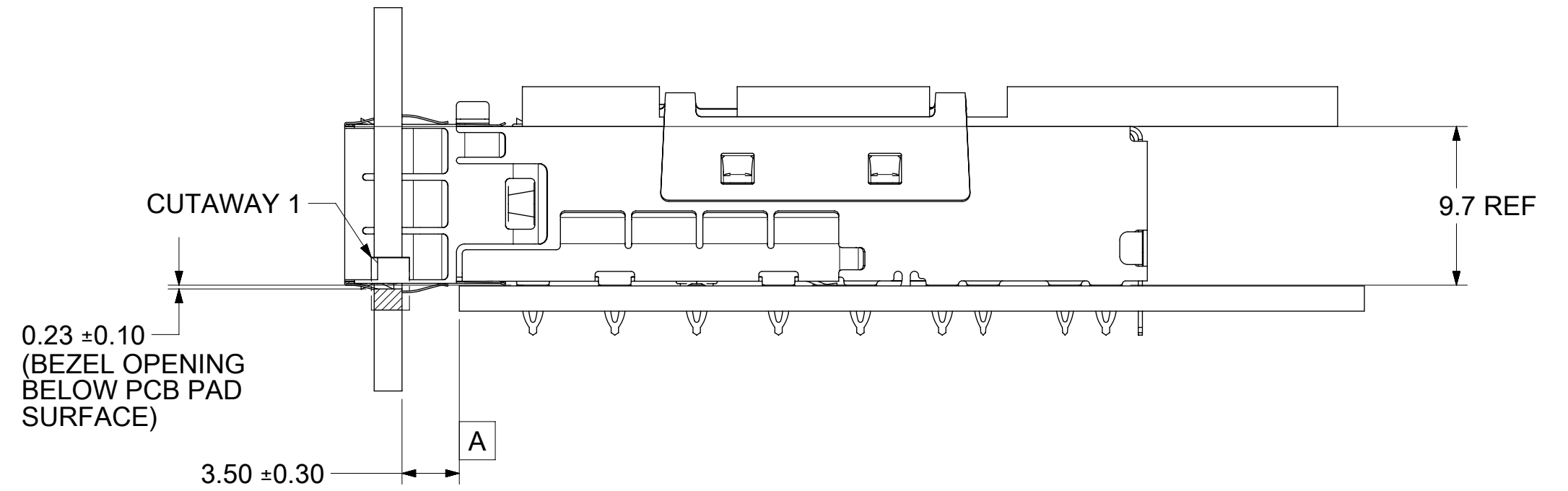
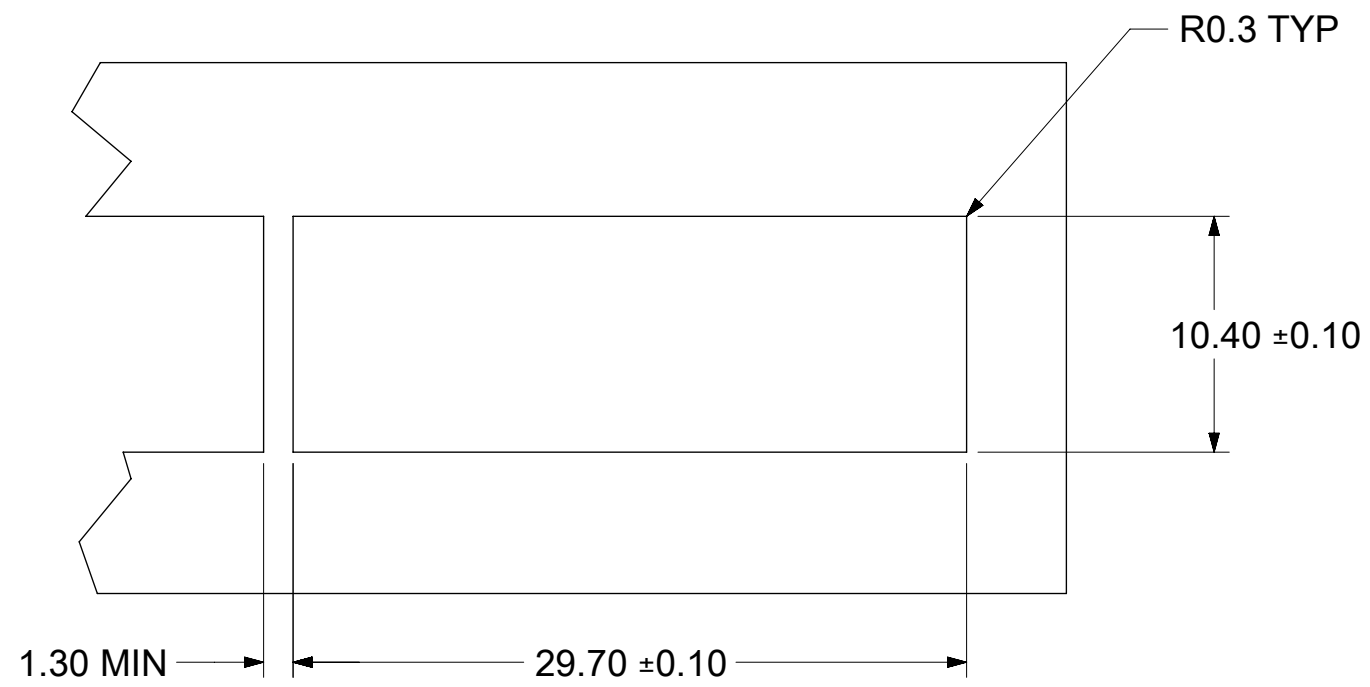
NOTE:
1.PCB THICKNESS VARIATION MUST BE CONSIDERED WHEN DETERMINING BEZEL OPENING LOCATION.

| | | | | |
|--|---|------------------------|--------------------------------------|----------|
| FUNCTIONAL SYMBOLS | THIS DRAWING CONTAINS INFORMATION THAT IS PROPRIETARY TO MOLEX ELECTRONIC TECHNOLOGIES, LLC AND SHOULD NOT BE USED WITHOUT WRITTEN PERMISSION | | CURRENT REV DESC: SEE REVISION TABLE | |
| | DIMENSION UNITS | SCALE | | |
| $\nabla_A = 0$ | mm | 3:1 | | |
| $\nabla_C = 0$ | GENERAL TOLERANCES (UNLESS SPECIFIED) | | | |
| | ANGULAR TOL $\pm 2.0^\circ$ | | | |
| $\nabla_P = 0$ | 4 PLACES | \pm | | |
| | 3 PLACES | \pm | | |
| DIVISIONAL SYMBOLS | 2 PLACES | ± 0.13 | | |
| | 1 PLACE | ± 0.25 | | |
| 0 PLACES | \pm | | | |
| DRAFT WHERE APPLICABLE MUST REMAIN WITHIN DIMENSIONS | | THIRD ANGLE PROJECTION | DRAWING | SERIES |
| | | | C-SIZE | 111112 |
| DOCUMENT STATUS | | RELEASE DATE | MATERIAL NUMBER | CUSTOMER |
| P1 | 2022/05/27 10:20:27 | 1111128283 | SEE P/N TABLE | |
| DOCUMENT NUMBER | | DOC TYPE | DOC PART | REVISION |
| 1111128283 | | PSD | ASY | A |
| SHEET NUMBER | | | | |
| 7 OF 9 | | | | |

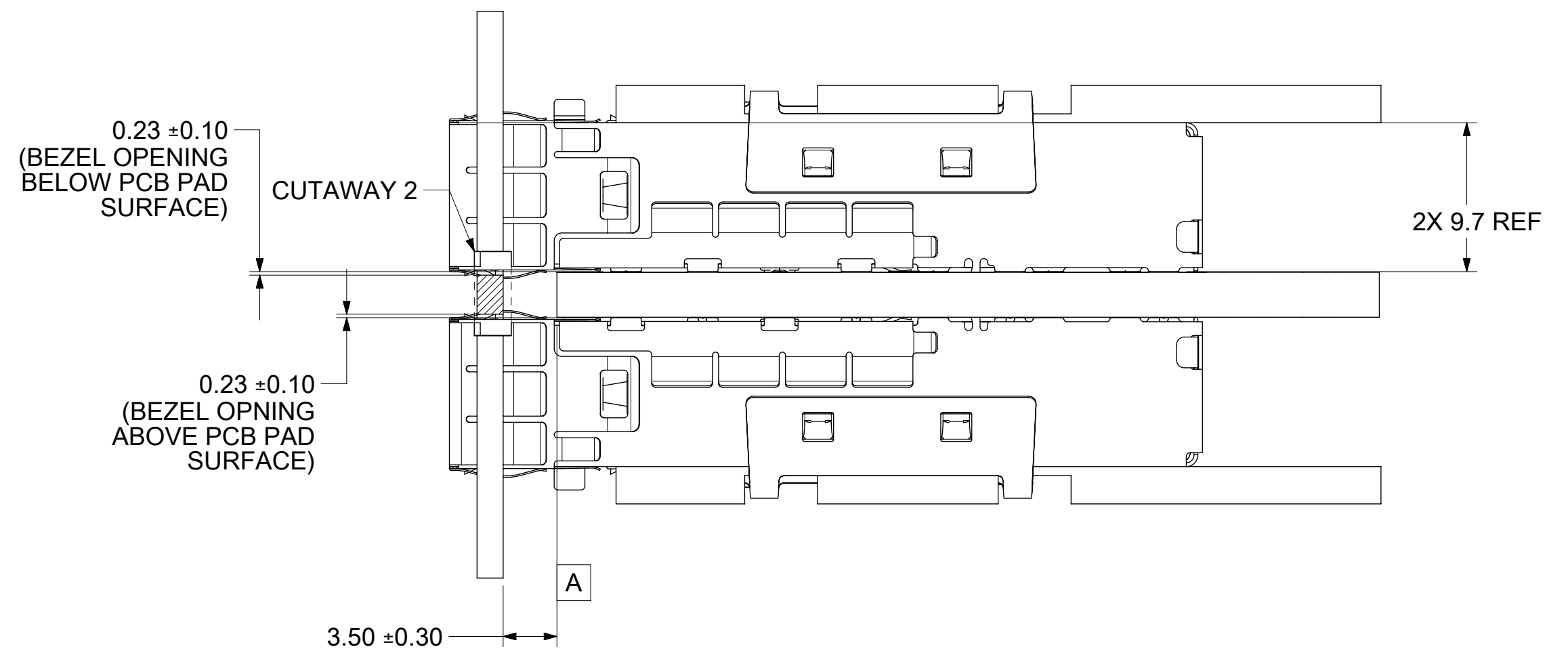
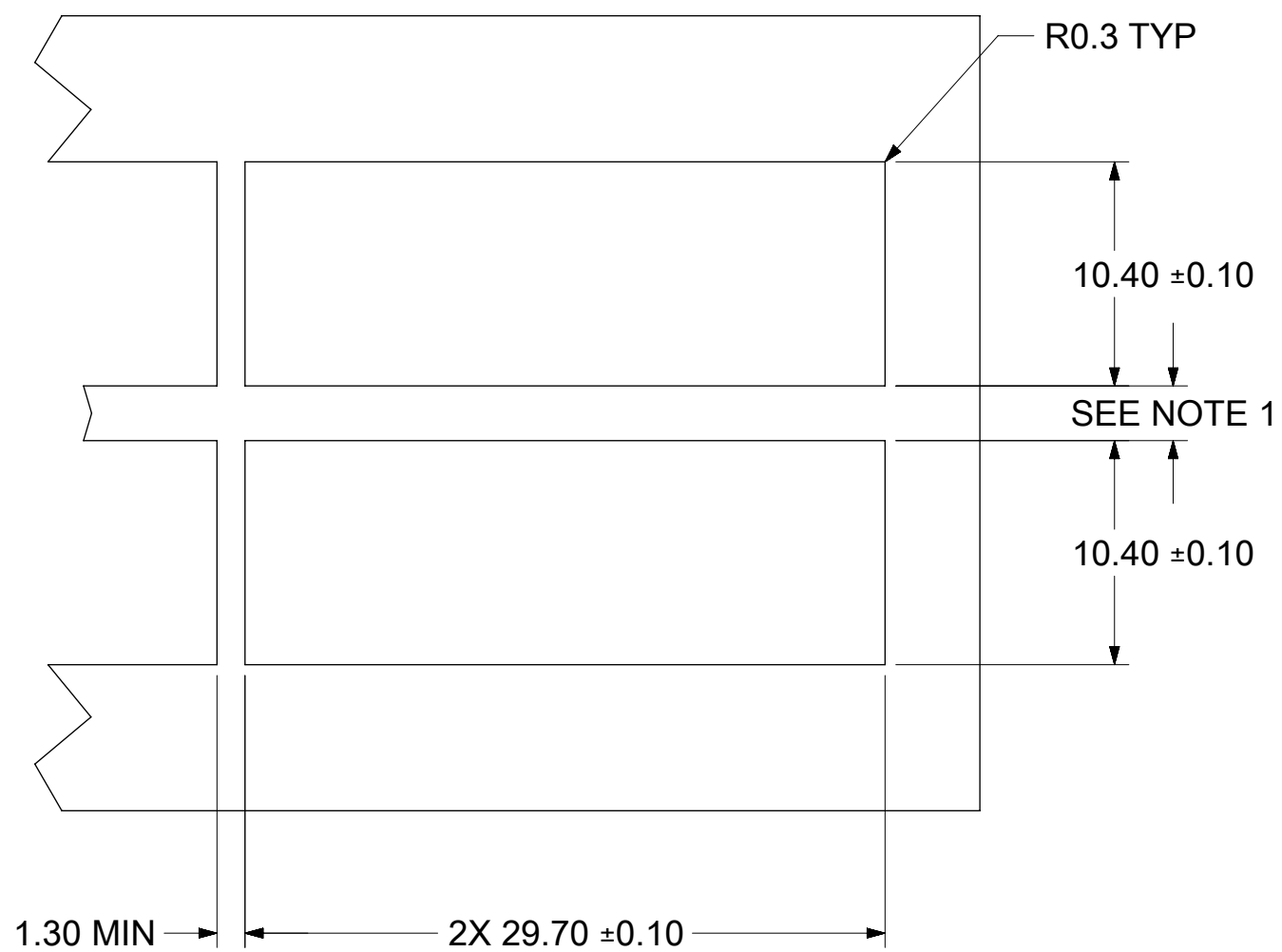
BEZEL AND BOARD POSITION DIMENSIONS FOR SINGLE SIDE MOUNTING

111128284

SHOWN



BEZEL AND BOARD POSITION DIMENSIONS FOR BELLY TO BELLY MOUNTING



| | | | | | | | | | |
|---|---------------------------------------|------------|--|------------|---|-----------------|---|----------|--|
| THIS DRAWING CONTAINS INFORMATION THAT IS PROPRIETARY TO MOLEX ELECTRONIC TECHNOLOGIES, LLC AND SHOULD NOT BE USED WITHOUT WRITTEN PERMISSION | | | | | | | | | |
| FUNCTIONAL SYMBOLS | DIMENSION UNITS | SCALE | CURRENT REV DESC: SEE REVISION TABLE | | | | | | |
| $\frac{F}{A} = 0$ | mm | 1:1 | molex SFP+ 1X2 CAGE ASSY PRESS FIT TYPE W/ SUS SF, CUSTOM HEATSINK AND DUAL LP, BELLY TO BELLY MOUNTING PRODUCT CUSTOMER DRAWING | | | | | | |
| $\frac{F}{C} = 0$ | GENERAL TOLERANCES (UNLESS SPECIFIED) | | | | | | | | |
| $\frac{F}{P} = 0$ | ANGULAR TOL $\pm 2.0^\circ$ | | | | | | | | |
| DIVISIONAL SYMBOLS | 4 PLACES | \pm | EC NO: 707262 | 2022/04/12 | DOCUMENT NUMBER: 111128283 DOC TYPE: PSD DOC PART: ASY REVISION: A | | | | |
| | 3 PLACES | \pm | DRWN: ABHILT2 | 2022/05/26 | | | | | |
| | 2 PLACES | ± 0.13 | CHK'D: TKUMARKC | 2022/05/27 | | | | | |
| | 1 PLACE | ± 0.25 | APPR: SCHIEN | 2022/05/27 | INITIAL REVISION: | | MATERIAL NUMBER: SEE P/N TABLE CUSTOMER: | | |
| | 0 PLACES | \pm | DRWN: ABHILT2 | 2022/04/12 | APPR: SCHIEN | | | | |
| DRAFT WHERE APPLICABLE MUST REMAIN WITHIN DIMENSIONS | | | THIRD ANGLE PROJECTION | DRAWING | SERIES | MATERIAL NUMBER | | CUSTOMER | |
| | | | | C-SIZE | 111112 | SEE P/N TABLE | | | |

H
G
F
E
D
C
B
A

| REV | DATE | DESCRIPTION |
|-----|------------|-----------------|
| A | 2022/05/26 | INITIAL RELEASE |
| | | |
| | | |
| | | |
| | | |
| | | |
| | | |
| | | |
| | | |
| | | |
| | | |
| | | |
| | | |
| | | |

| | | | | | | |
|--|---|----------|---|------------------------|---|----------------------|
| FUNCTIONAL SYMBOLS = 0 = 0 = 0 DIVISIONAL SYMBOLS 4 PLACES ± 3 PLACES ± 2 PLACES ± 0.13 1 PLACE ± 0.25 0 PLACES ± DRAFT WHERE APPLICABLE MUST REMAIN WITHIN DIMENSIONS | THIS DRAWING CONTAINS INFORMATION THAT IS PROPRIETARY TO MOLEX ELECTRONIC TECHNOLOGIES, LLC AND SHOULD NOT BE USED WITHOUT WRITTEN PERMISSION DIMENSION UNITS: mm SCALE: 1:1 | | CURRENT REV DESC: SEE REVISION TABLE EC NO: 707262 DRWN: ABHILT2 CHK'D: TKUMARKC APPR: SCHIEN | | <h1>molex</h1> <p>SFP+ 1X2 CAGE ASSY PRESS FIT TYPE W/ SUS SF, CUSTOM HEATSINK AND DUAL LP, BELLY TO BELLY MOUNTING</p> | |
| | GENERAL TOLERANCES (UNLESS SPECIFIED) ANGULAR TOL ± 2.0° | | 2022/04/12 2022/05/26 2022/05/27 | | | |
| | PRODUCT CUSTOMER DRAWING INITIAL REVISION: DRWN: ABHILT2 APPR: SCHIEN | | DOCUMENT NUMBER 111128283 | DOC TYPE PSD | DOC PART ASY | REVISION A |
| MATERIAL NUMBER SEE P/N TABLE | | CUSTOMER | | SHEET NUMBER 9 OF 9 | | |