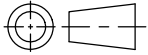
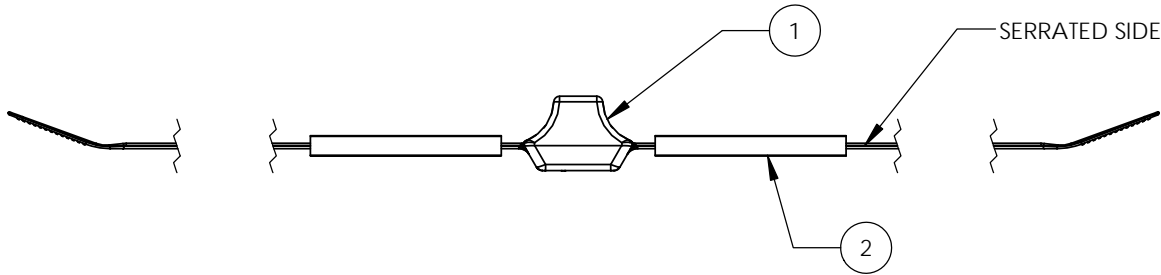
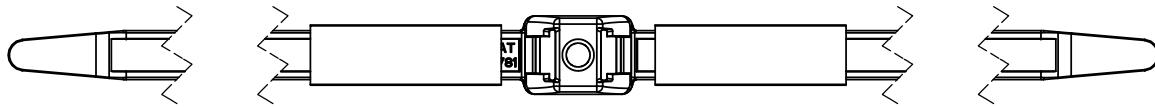
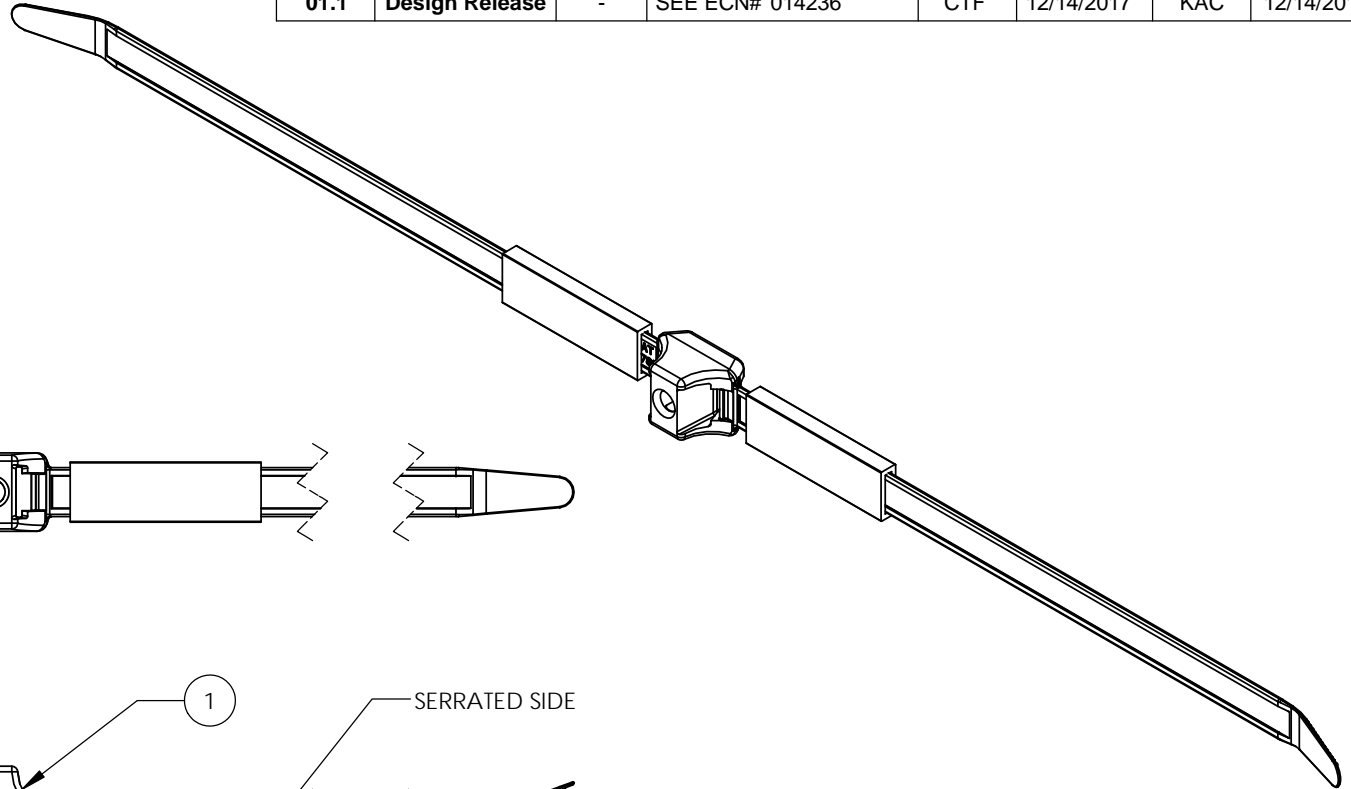


SW2015



| | | | | | | | |
|----------------|----------------|------|-----------------|---------|------------|----------|------------|
| Revision level | | | Revision Record | Changed | Date | Approved | Date |
| Drawing | State | Part | | | | | |
| 01.1 | Design Release | - | SEE ECN# 014236 | CTF | 12/14/2017 | KAC | 12/14/2017 |



| GLOBAL PART NAME | ITEM NO. | QTY. | TYPE | DRAWING NUMBER | MATERIAL |
|---------------------------|----------|------|-------|-----------------|-------------|
| DCT11SLVH1-PA66HIRHSUV-BK | 1 | 1 | DCT11 | 12-0008-001-CSU | PA66HIRHSUV |
| | 2 | 2 | SLVH1 | 17-2501-001-CSU | NEOPRENE |

| | | | | | | | | | | |
|------------------------------|--|---|------------------------|--------------------|------------|-----------------|---|--|----------------|-------------|
| Material SEE CHART | Units: millimeters | The copyright of this drawing is reserved by HellermannTyton. It is issued on condition that it is not reproduced, copied, or disclosed to a third party, either wholly or in part, without the consent of HellermannTyton. | Drawn | CTF | 12/14/2017 | Article/Type-No | DCT11SLVH1 | | Scale | 1:2 |
| | Dimension without tolerances details to: .XXX = ±.013 .XX = ±.13 .X = ±.3 None = ±.8 ∠ = ±0.5° Dimension Formatted mm/[in] | | Approved | KAC | 12/14/2017 | Title | DCT11 DUAL CLAMP TIE WITH SLEEVE | | Project Number | PRP 17-2500 |
| | North America Email: corp@htamericas.com Web: www.hellermann.tyton.com | | Drawing-No | PRODUCTION : Phase | | Format | AH | | | |
| | | | 17-2500-001-CSU | | | Sheet | 1/1 | | | |