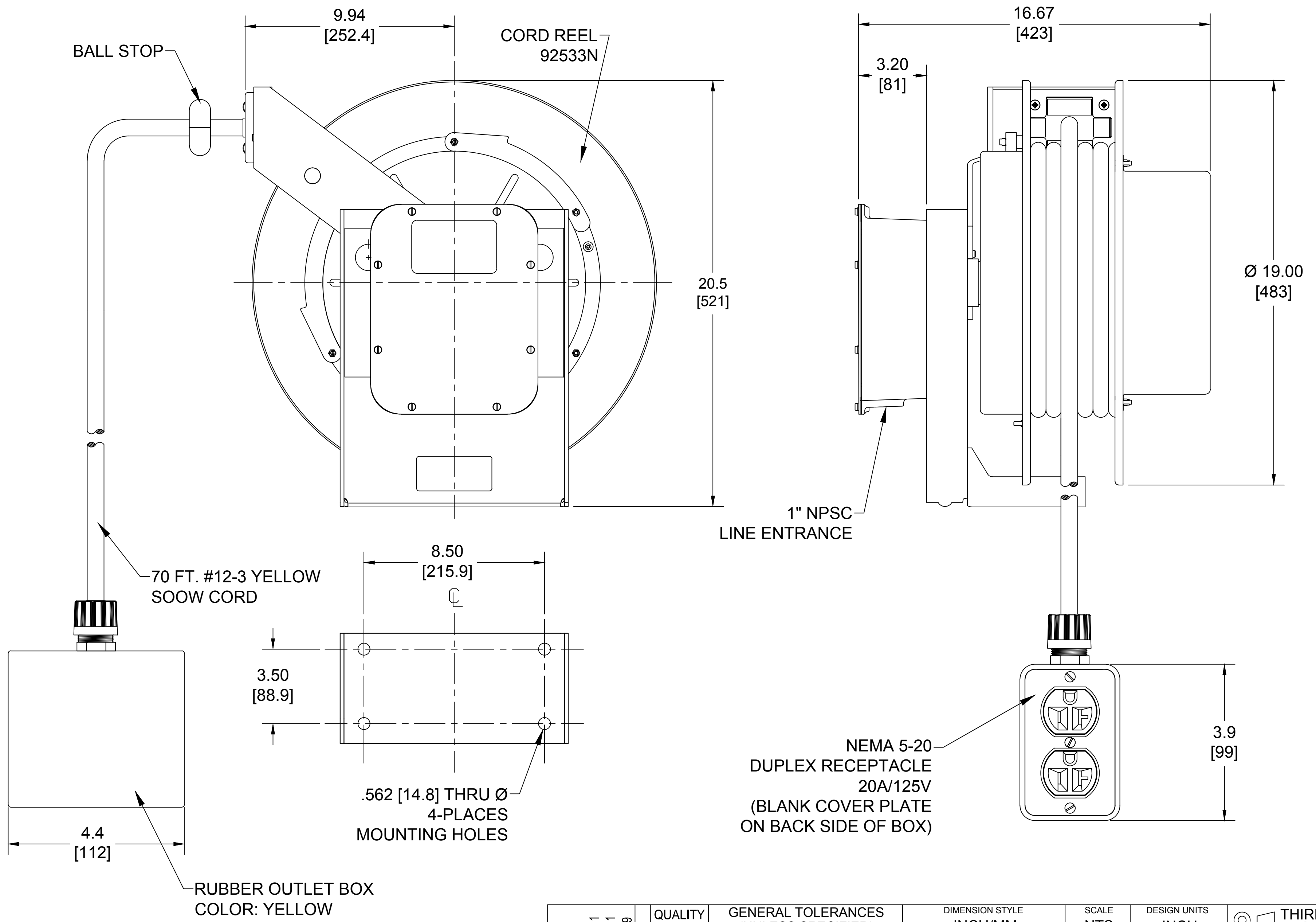


13 12 11 10 9 8 7 6 5 4 3 2 1

J
I
H
G
F
E
D
C
B
A



RELEASE SALES DWG EC NO.: IFC2016-1111 DRWN: HRUIZ01 2016/02/11 CH'KD: HKNEELAN 2016/02/11 APPR: JFMURPHY 2016/02/29	QUALITY SYMBOL	GENERAL TOLERANCES (UNLESS SPECIFIED)		DIMENSION STYLE	SCALE	DESIGN UNITS	THIRD ANGLE PROJECTION		
	▽=0	mm	INCH	INCH/MM	NTS	INCH			
	∇=0	4 PLACES ±---	±---	DRAWN BY	DATE	TITLE			
		3 PLACES ±---	±.005	CHECKED BY	DATE	92533N CABLE REEL 70' #12-3 SOOW SINGLE 20A/125V RCPTL.			
		2 PLACES ±.13	±.010	APPROVED BY	DATE				
	1 PLACE ±.25	±.020	JFMURPHY	2016/02/29	MOLEX INCORPORATED				
	ANGULAR ±1/2°		MATERIAL NO.	DOCUMENT NO.	SHEET NO.				
	DRAFT WHERE APPLICABLE MUST REMAIN WITHIN DIMENSIONS		1300840388	SD-130084-011	1 OF 1				
			SIZE C	THIS DRAWING CONTAINS INFORMATION THAT IS PROPRIETARY TO MOLEX INCORPORATED AND SHOULD NOT BE USED WITHOUT WRITTEN PERMISSION					

13 12 11 10 9 8 7 6 5 4 3 2 1