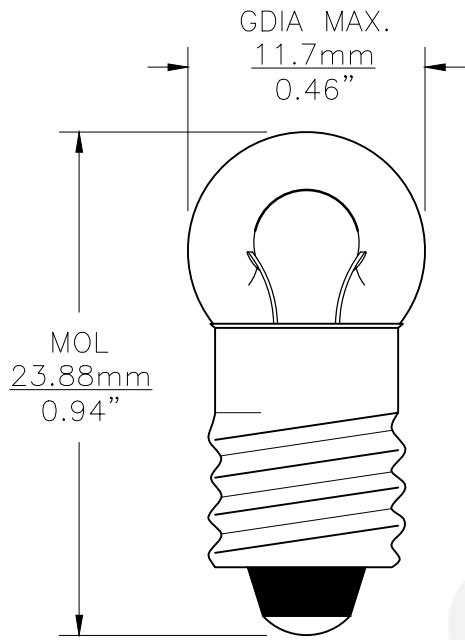
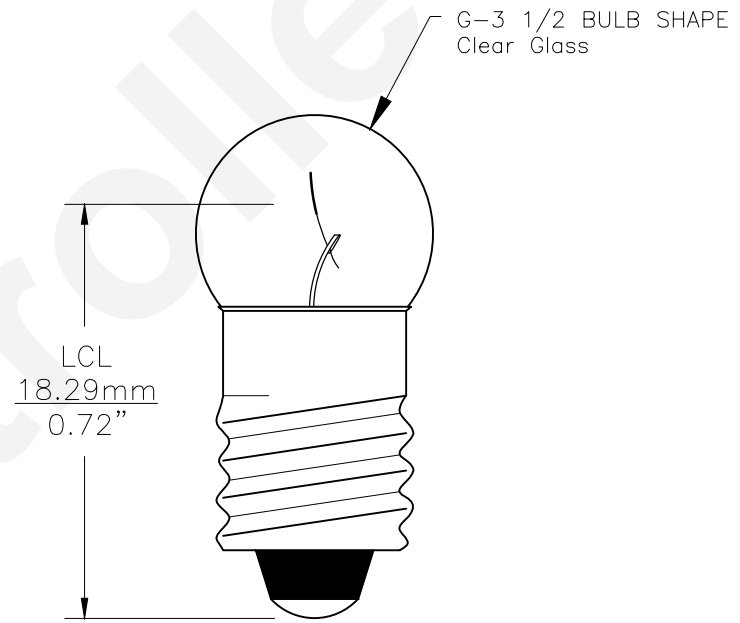




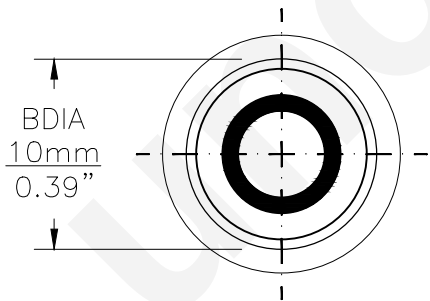
| PART NO. | BASE TYPE | DESIGN VOLTS | DESIGN AMPS | MSCD | FILAMENT TYPE | AVERAGE LIFE HOURS | REVISIONS | | | |
|----------|-----------------------|--------------|-------------|----------|---------------|--------------------|-----------|-------------|------------|----------|
| | | | | | | | REV # | DESCRIPTION | DATE | APPROVED |
| 14 | Miniature Screw (E10) | 2.47V | 0.30±10% | 0.50±20% | C-2R | 15 | 1 | ISSUED | 11/08/2016 | R.M. |
| | | | | | | | | | | |
| | | | | | | | | | | |



0° VIEW



90° VIEW



BASE BOTTOM VIEW

Note: Made according to SAE specifications



| | | | | | |
|---|---------|-------------------------|-------------|------------------------|--------------|
| UNLESS OTHERWISE SPECIFIED: DIMENSIONS ARE IN INCHES TOLERANCES | | CEC INDUSTRIES LTD | | | |
| DECIMALS | ANGULAR | 599 BOND STREET | | LINCOLNSHIRE, IL 60069 | |
| .XX ± .05 | ± 0.5° | TITLE LIGHT BULB NO. 14 | | | |
| .XXX ± .010 | | SIZE A | FSCM NO. | DWG NO. 14 | REV 1 |
| FRACTIONAL | ± 1/64 | DESIGN | SCALE | PLOT SCALE | SHEET 1 OF 1 |
| DRAWN ROSE MEDINA DATE 11/08/2016 | | MATERIAL | FILE 14.pdf | DRAWING NOT TO SCALE | |