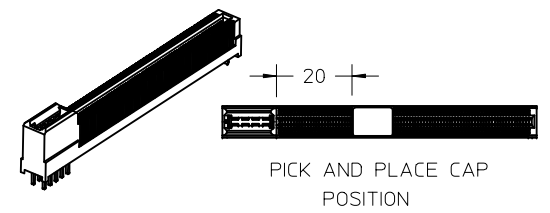
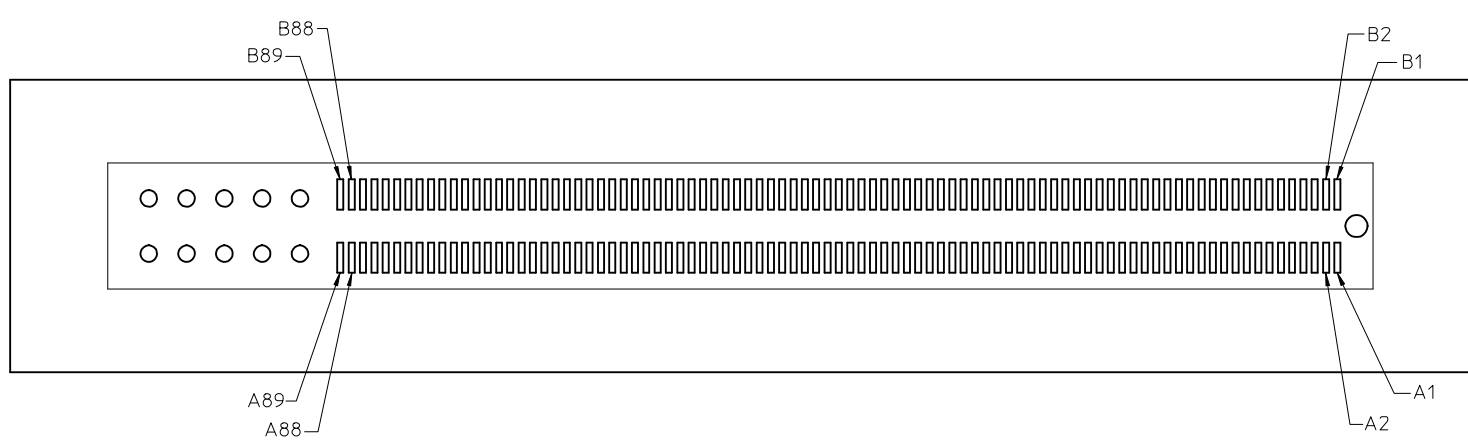
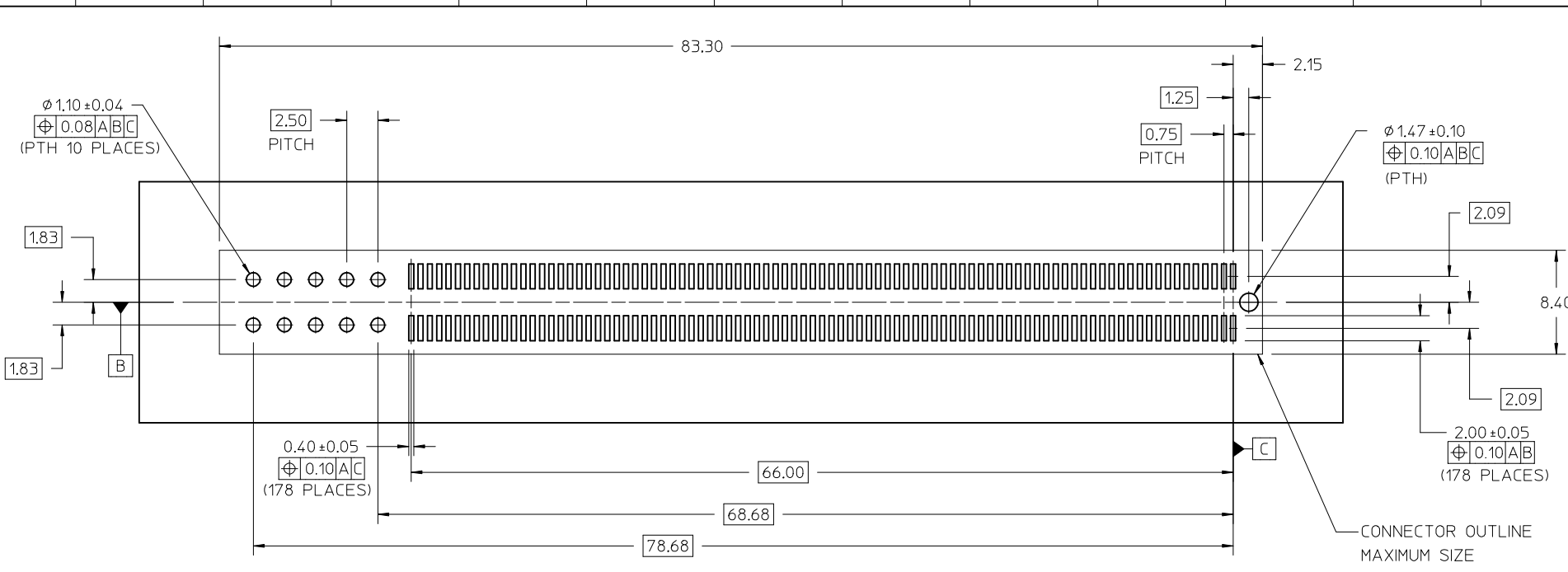


- NOTES:
- MATERIAL:
 - HOUSING - GLASS FILLED THERMOPLASTIC, 94-V0, BLACK
 - TERMINALS - HIGH PERFORMANCE COPPER ALLOY
 - FINISH:
 - CONTACT AREA: SELECT GOLD 0.76µm MIN
 - SOLDER TAIL: 2.54µm MIN TIN (MATTE)
 - UNDERPLATE: 1.27µm MIN NICKEL ALL OVER
 - PRODUCT SPECIFICATION: PS-172050-0001 (TBD).
 - PACKAGING SPECIFICATION: PK-172052-1000.
 - APPLICATION SPECIFICATION: AS-172050-0001 (TBD).
 - MATING PC BOARD THICKNESS = 1.60±0.16MM OVER CONTACT PADS.
 - PRODUCT IS ELV AND RoHS COMPLIANT. LEVEL OF COMPLIANCE:6/6
 - ALL BANNED SUBSTANCES ARE REMOVED:
 - Pb (LEAD)
 - HEXAVALENT CHROMIUM (CrVI)
 - CADMIUM
 - MERCURY
 - POLYBROMINATED BIPHENYL (PBB)
 - POLYBROMINATED DIPHENYL ETHER (PBDE)
 - THIS PART CONFORMS TO CLASS B REQUIREMENTS OF COSMETIC SPEC PS-45499-002.

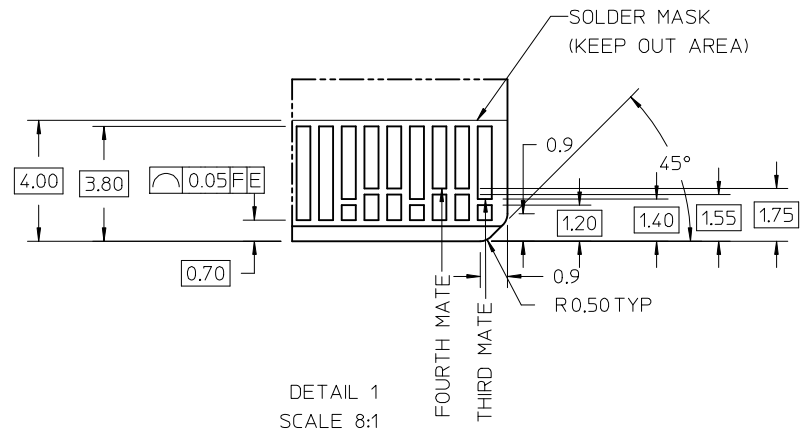
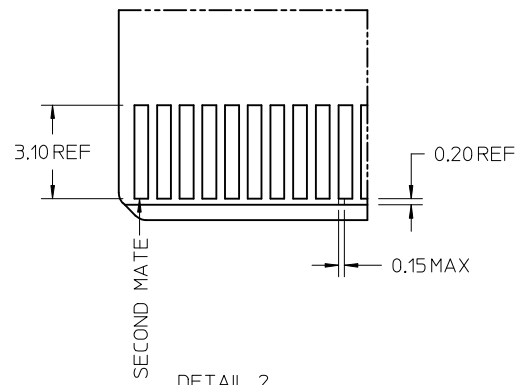
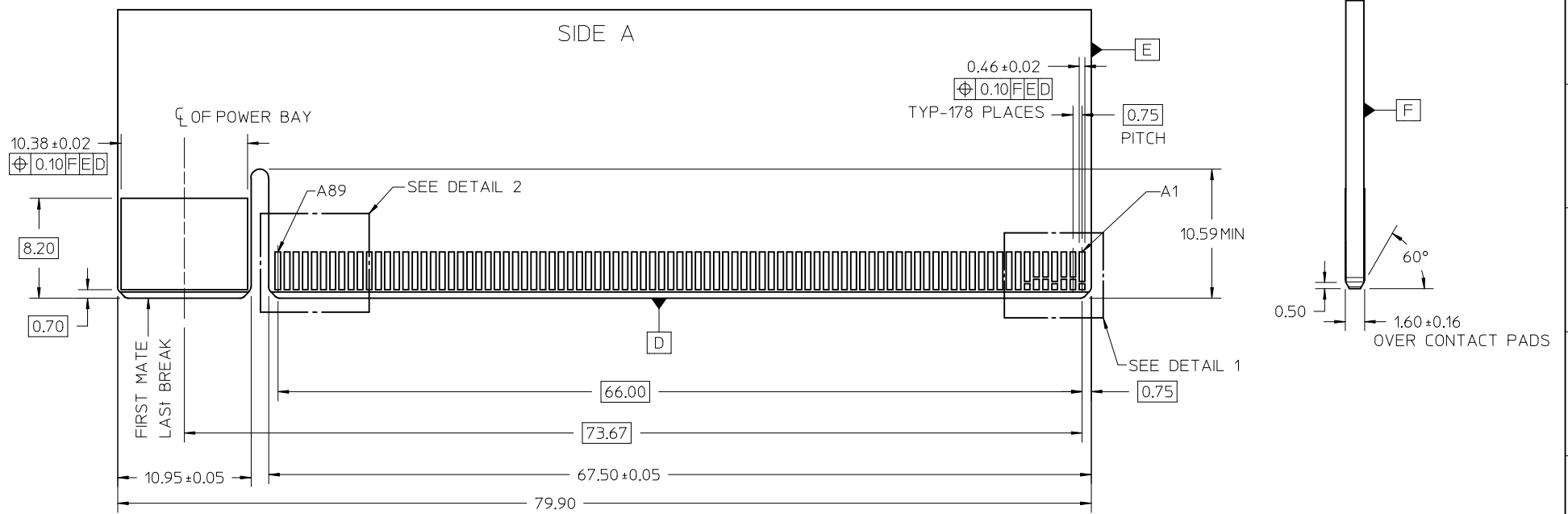


UPDATE VIEWS EC NO: S2015-0846 DRAWN: MHL LONG 2015/01/23 CHKD: CGTAN 2015/02/09 APPR: SHLENI 2015/02/09	QUALITY SYMBOLS ▽=0 ▽=0 ▽=0	GENERAL TOLERANCES (UNLESS SPECIFIED)		DIMENSION STYLE MM ONLY		SCALE 4:1	DESIGN UNITS METRIC	THIRD ANGLE PROJECTION	
		4 PLACES ± --- ± ---	mm	INCH	DRAWN BY MHL LONG	DATE 2013/11/15	TITLE EDGELINE+ESP 40A 178CKTS .062"PCB 0.75MM PITCH SALES DRAWING		
		3 PLACES ± --- ± ---			CHECKED BY CGTAN	DATE 2014/06/04	molex DOCUMENT NO. SD-172050-3178 SHEET NO. 1 OF 3		
		2 PLACES ± 0.15 ± ---			APPROVED BY SHLENI	DATE 2014/06/12			
		1 PLACE ± 0.25 ± ---			ANGULAR ±1/2°		MATERIAL NO. 1720503178		
0 PLACE ± --- ± ---			DRAFT WHERE APPLICABLE MUST REMAIN WITHIN DIMENSIONS		SIZE C		THIS DRAWING CONTAINS INFORMATION THAT IS PROPRIETARY TO MOLEX INCORPORATED AND SHOULD NOT BE USED WITHOUT WRITTEN PERMISSION		



FOOT PRINT NOTES:
1.DATUM -A- IS THE TOP OF THE PCB

SEE SHEET 1 EC NO: S2015-0846 DRAWN: MHL LONG 2015/01/23 CHKD: CGTAN 2015/02/09 APPR: SHLENI 2015/02/09	QUALITY SYMBOLS ▽=0 ▽=0 ▽=0	GENERAL TOLERANCES (UNLESS SPECIFIED) mm INCH 4 PLACES ± --- ± --- 3 PLACES ± --- ± --- 2 PLACES ± 0.15 ± --- 1 PLACE ± 0.25 ± --- 0 PLACE ± --- ± ---	DIMENSION STYLE MM ONLY DRAWN BY DATE MHL LONG 2013/11/15 CHECKED BY DATE CGTAN 2014/06/04 APPROVED BY DATE SHLENI 2014/06/12	SCALE 4:1 DESIGN UNITS METRIC THIRD ANGLE PROJECTION	TITLE EDGELINE+ESP 40A 178CKTS .062"PCB 0.75MM PITCH SALES DRAWING molex	MATERIAL NO. SEE SHEET 1 DOCUMENT NO. SD-172050-3178 SHEET NO. 2 OF 3
	ANGULAR ±1/2°		DRAFT WHERE APPLICABLE MUST REMAIN WITHIN DIMENSIONS		THIS DRAWING CONTAINS INFORMATION THAT IS PROPRIETARY TO MOLEX INCORPORATED AND SHOULD NOT BE USED WITHOUT WRITTEN PERMISSION	



NOTE:
 1. THESE ARE GENERIC DETAILS THAT DESCRIBES THE CONFIGURATION OF VARIOUS PCB DESIGN ELEMENTS. THE CUSTOMER MUST DETERMINE WHERE AND WHEN TO USE EACH ELEMENT TO ACCOMMODATE THEIR SPECIFIC APPLICATION.
 2. CHAMFER ROUGHNESS NOT TO EXCEED 3.17µM.
 3. EDGE CARD CHAMFER NOT TO GO THROUGH GOLD PAD.

SEE SHEET 1 EC NO: S2015-0846 DRAWN: MHLONG 2015/01/23 CHKD: CGTAN 2015/02/09 APPR: SHLENI 2015/02/09	QUALITY SYMBOLS ∇=0 ∇=0 ∇=0	GENERAL TOLERANCES (UNLESS SPECIFIED)		DIMENSION STYLE MM ONLY		SCALE 4:1	DESIGN UNITS METRIC	THIRD ANGLE PROJECTION	
			mm	INCH	DRAWN BY MHLONG	DATE 2013/11/15	TITLE EDGE LINE+ESP 40A 178CKTS .062"PCB 0.75MM PITCH SALES DRAWING		
		4 PLACES ± --- ± ---			CHECKED BY CGTAN	DATE 2014/06/04	molex DOCUMENT NO. SD-172050-3178 SHEET NO. 3 OF 3		
		3 PLACES ± --- ± ---			APPROVED BY SHLENI	DATE 2014/06/12			
			ANGULAR ±1/2°		MATERIAL NO.		SEE SHEET 1		
DRAFT WHERE APPLICABLE MUST REMAIN WITHIN DIMENSIONS				SIZE		THIS DRAWING CONTAINS INFORMATION THAT IS PROPRIETARY TO MOLEX INCORPORATED AND SHOULD NOT BE USED WITHOUT WRITTEN PERMISSION			