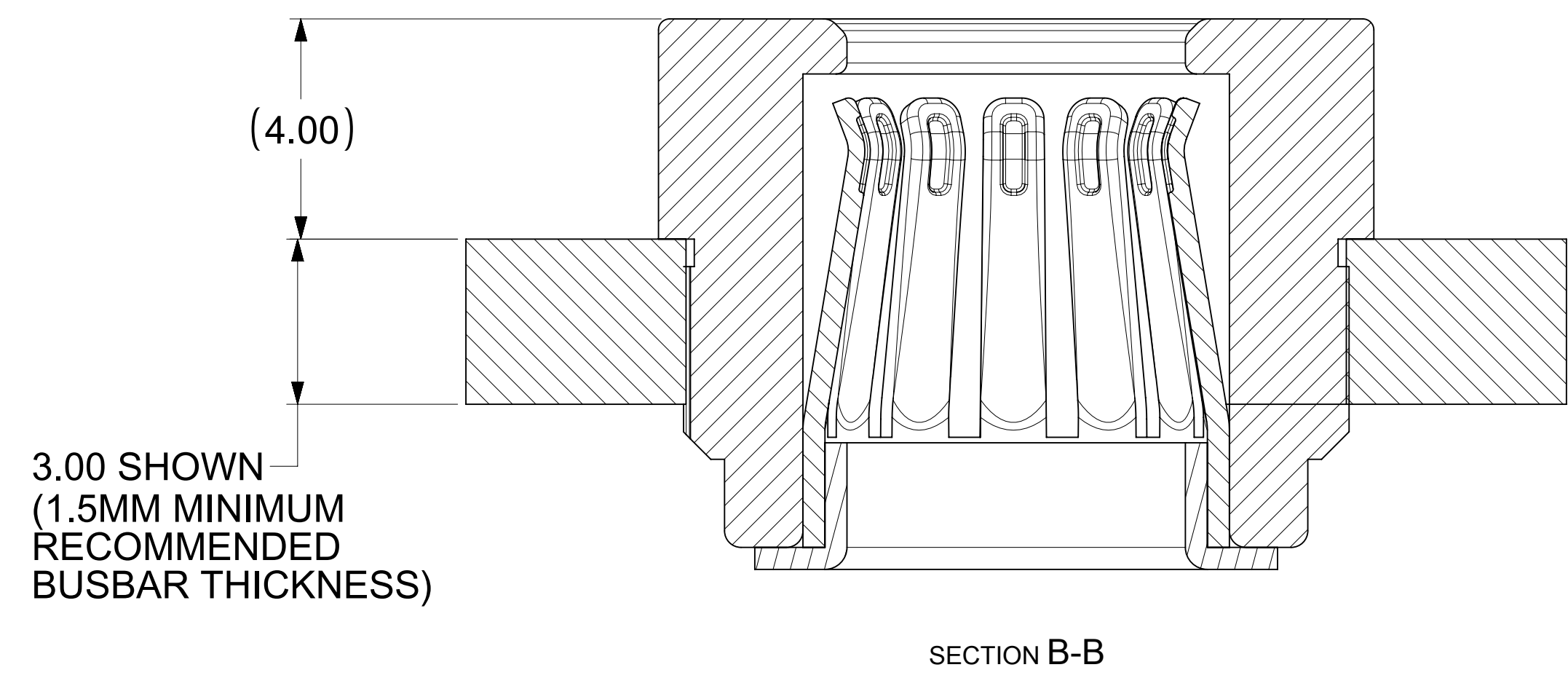


**MATING PROFILE**

- NOTES:**
- MATERIALS:**  
 RETENTION CAP: STAINLESS STEEL  
 PICK AND PLACE CAP: LCP UL94, V-0 COLOR BLACK  
 BASE METAL: HIGH CONDUCTIVE COPPER ALLOY  
 PLATING ON CONTACTS: 0.75 MICRON MIN GOLD OVER 1.27 MICRON MIN NICKEL  
 PLATING ON BODY: 3.18 MICRON MIN SILVER OVER 1.27 MICRON MIN NICKEL
  - MATES WITH THE STANDARD PIN DRAWINGS:**
    - 6.0MM SMT DRAWING 2032630136-SD, MIN. MATING DISTANCE 6.75MM
    - 6.0MM PRESS FIT DRAWING 2032630006-SD, MIN MATING DISTANCE 6.5MM
    - 6.0MM SCREW MOUNT DRAWING 2032636185-SD, MIN MATING DISTANCE 9.5MM
  - PRODUCT SPECIFICATION:** 2043130006-PS
  - APPLICATION SPECIFICATION:** 2043130006-AS
  - PACKAGING SPECIFICATION:** 2043180006-PK.
  - SILVER COMPONENTS WILL BE SUPPLIED TARNISH FREE BUT MAY TARNISH OVER TIME.**
  - DATE CODE TO BE LASER MARKED APPROXIMATELY WHERE SHOWN USING DDDYY FORMAT**



**SECTION B-B**

|   |        |   |            |        |                   |                 |          |                |          |
|---|--------|---|------------|--------|-------------------|-----------------|----------|----------------|----------|
| THIS DRAWING CONTAINS INFORMATION THAT IS PROPRIETARY TO MOLEX ELECTRONIC TECHNOLOGIES, LLC AND SHOULD NOT BE USED WITHOUT WRITTEN PERMISSION |        |   |            |        |                   |                 |          |                |          |
| DIMENSION UNITS   | SCALE  | CURRENT REV DESC: UPDATED THE TITLE BLOCK   |            |        |                   |                 |          |                |          |
| mm  | 5:1    | <div style="text-align: right; font-size: 24pt; font-weight: bold;">molex</div> <p>6.0MM CENTRALITY TOP ENTRY PRESS-FIT STANDARD SOCKET IN TRAY</p> <p>PRODUCT CUSTOMER DRAWING</p> |            |        |                   |                 |          |                |          |
| GENERAL TOLERANCES (UNLESS SPECIFIED)   |        |   |            |        |                   |                 |          |                |          |
| ANGULAR TOL   | ± 0.5° |   |            |        |                   |                 |          |                |          |
| 4 PLACES  | ±      |   |            |        |                   |                 |          |                |          |
| 3 PLACES  | ±      |   |            |        |                   |                 |          |                |          |
| 2 PLACES  | ± 0.25 | EC NO: 747243   | 2023/02/26 |        | DOCUMENT NUMBER   |                 | DOC TYPE | DOC PART       | REVISION |
| 1 PLACE   | ± 0.3  | DRWN: SOURAJ  | 2023/04/25 |        | 2043160006-SD     |                 | PSD      | 000            | B2       |
| 0 PLACES  | ±      | APPR: HTHYAGARAJ  | 2023/04/26 |        | INITIAL REVISION: |                 |          |                |          |
| DRAFT WHERE APPLICABLE MUST REMAIN WITHIN DIMENSIONS  |        | DRWN: RLOW  | 2019/02/19 |        | SERIES            |                 |          |                |          |
|   |        | APPR: BPISZCZOR   | 2019/05/30 |        | DRAWING           |                 |          |                |          |
|   |        | THIRD ANGLE PROJECTION  |            | D-SIZE |                   | MATERIAL NUMBER |          | CUSTOMER       |          |
|   |        |   |            | 204316 |                   | 2043160006      |          | GENERAL MARKET |          |
|   |        |   |            |        |                   | SHEET NUMBER    |          | 1 OF 1         |          |