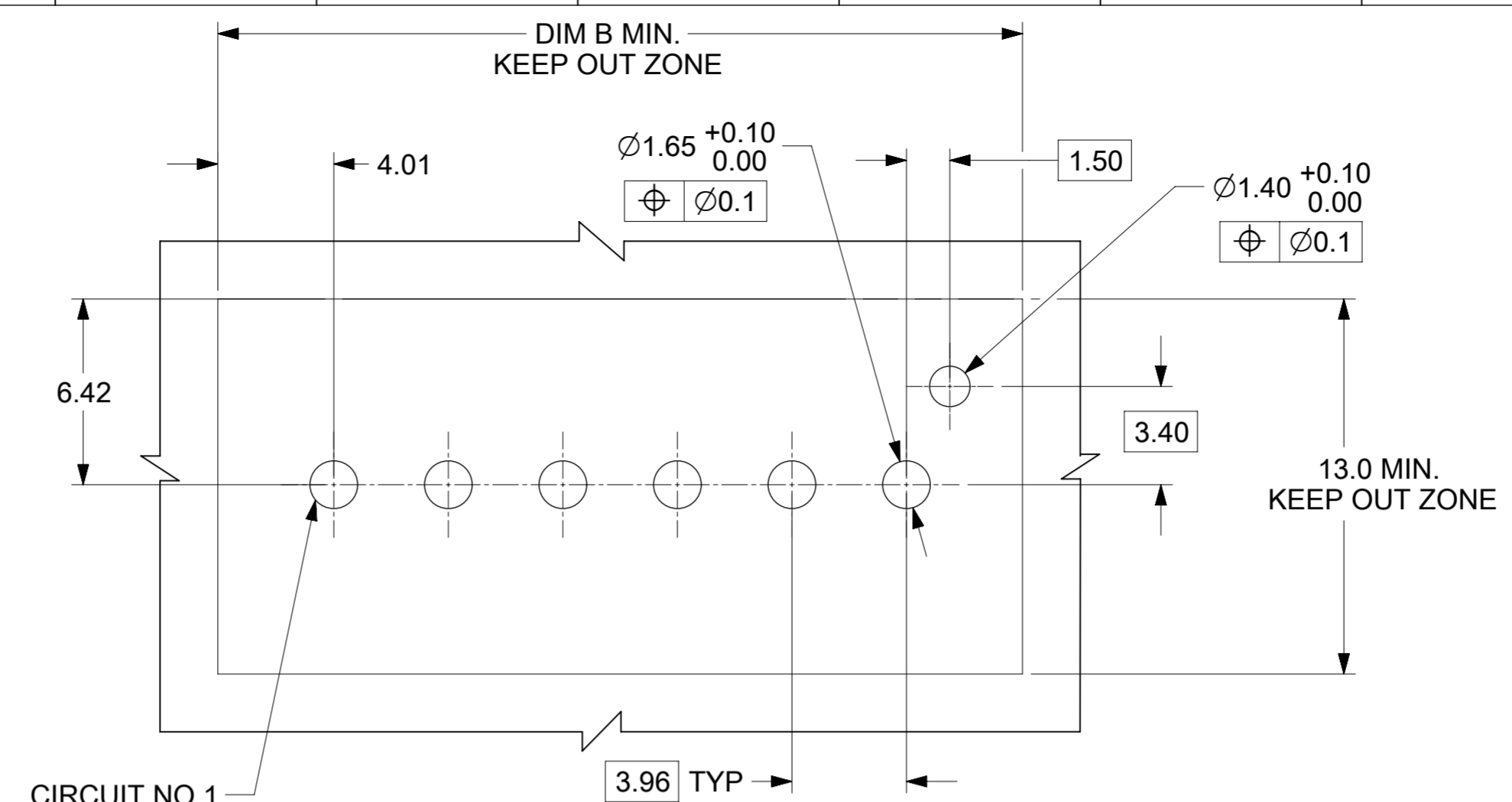
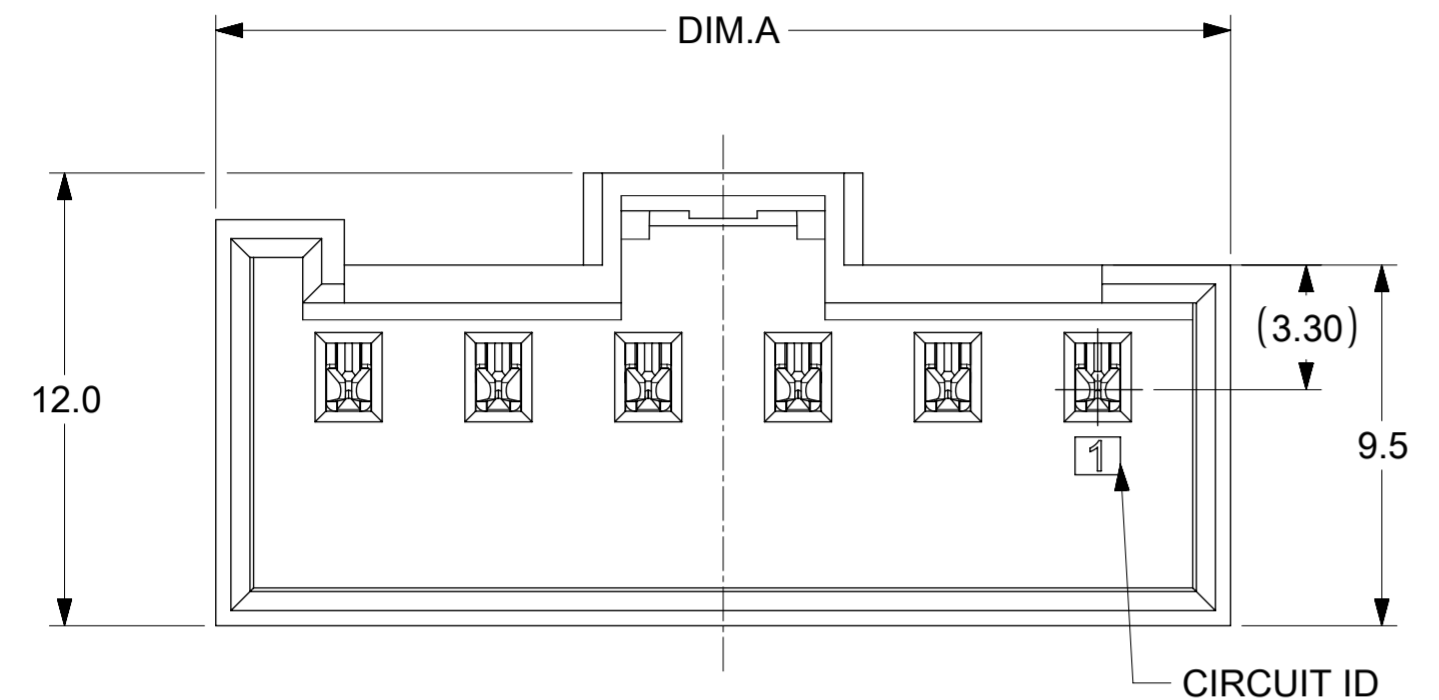
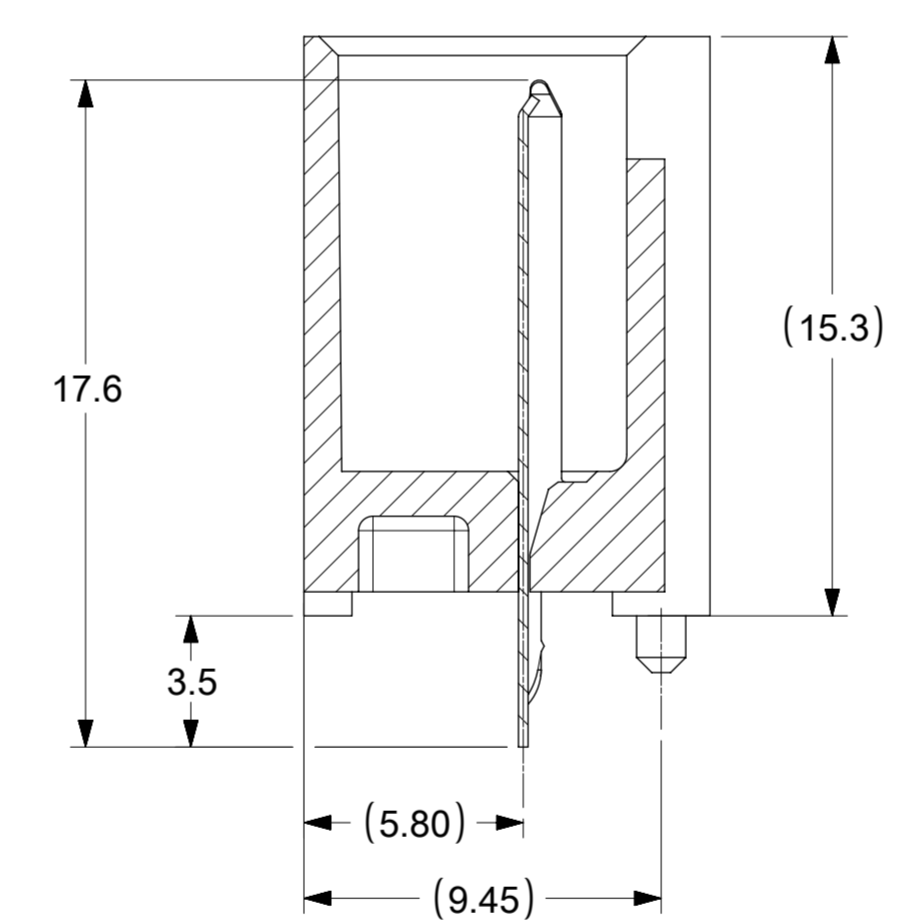
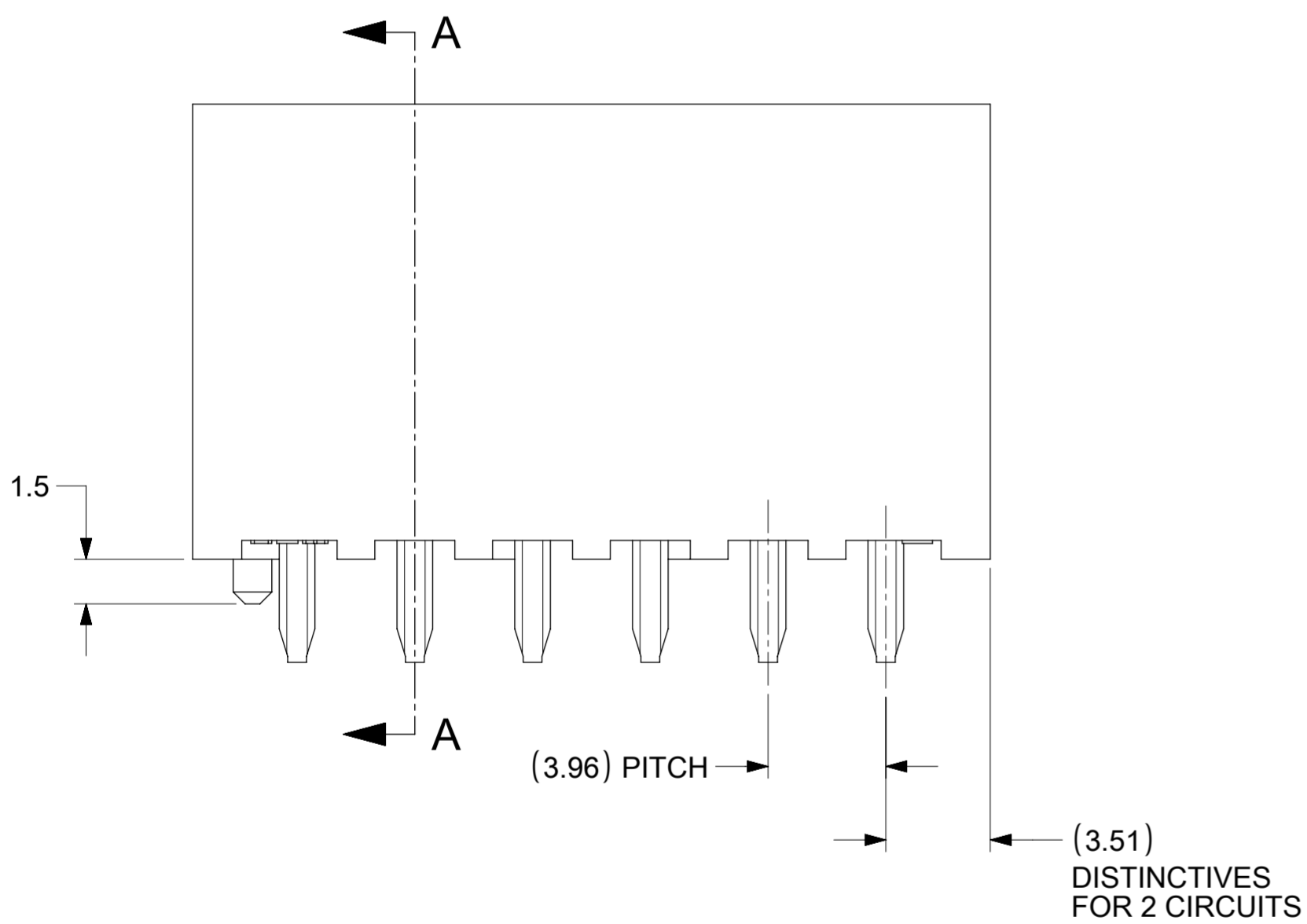
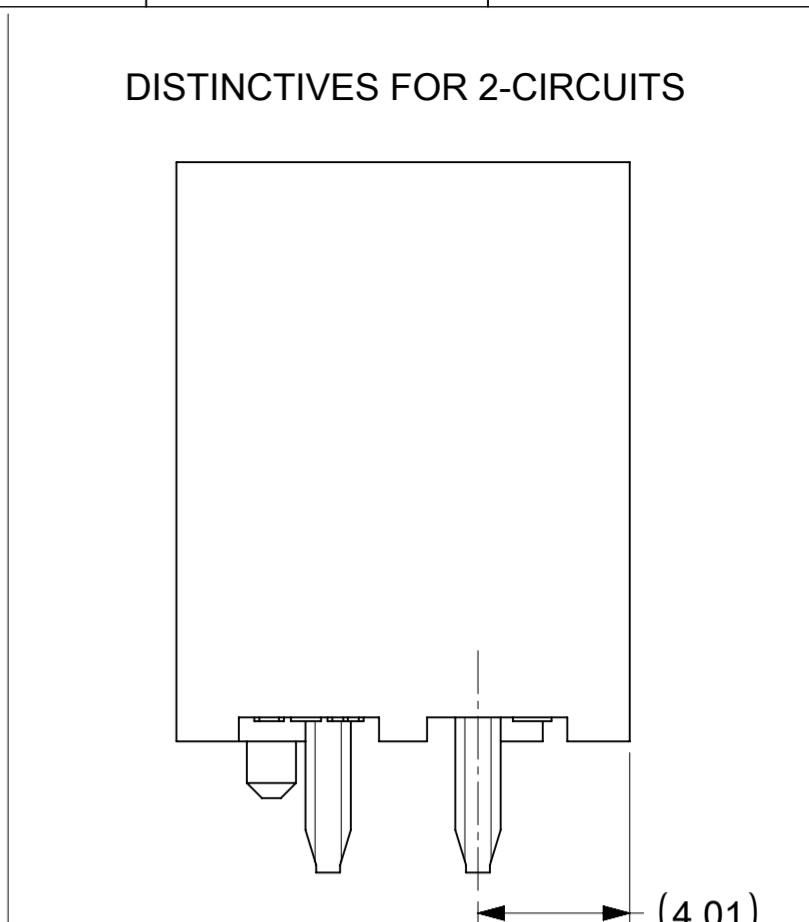


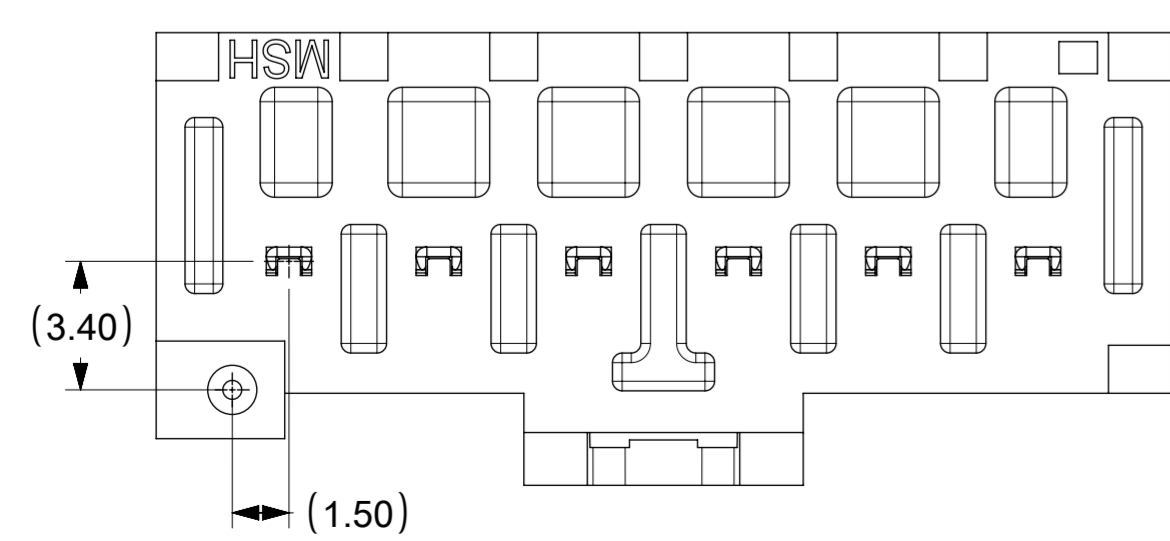
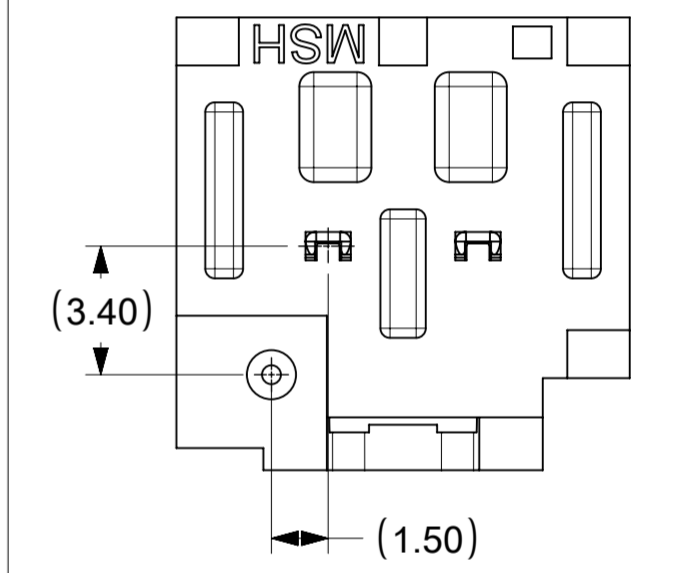
CIRCUIT SIZE	HEADER ASSY P/N	DIM. A	DIM. B
02	2074790002	11.99	12.99
03	2074790003	14.95	15.95
04	2074790004	18.91	19.91
05	2074790005	22.88	23.88
06	2074790006	26.84	27.84



PCB FOR SHROUDED HEADER ASSEMBLY  
PCB LAYOUT VIEWED FROM THE SOLDERING SIDE  
(RECOMMENDED PCB THICKNESS : 1.60mm)



SECTION A-A

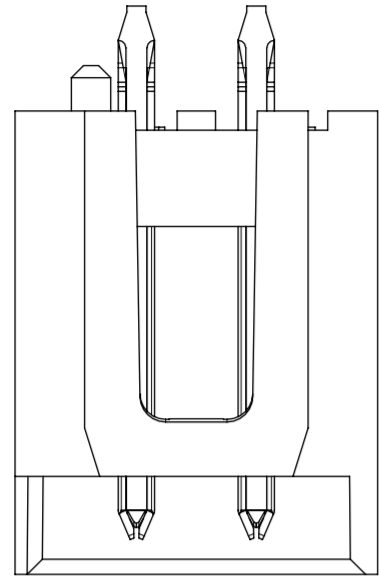


- NOTES:
- MATERIAL:
    - HOUSING: LIQUID CRYSTAL POLYMER. RATED UL94V-0, COLOR-BLACK
    - TERMINAL: BRASS ALLOY PLATING: TIN OVER COPPER OVERALL
  - PRODUCT SPECIFICATION: 2074580000-PS
  - PACKAGING SPECIFICATION: 2074790000-PK
  - COSMETIC SPECIFICATION: PS-45499-002 CLASS B

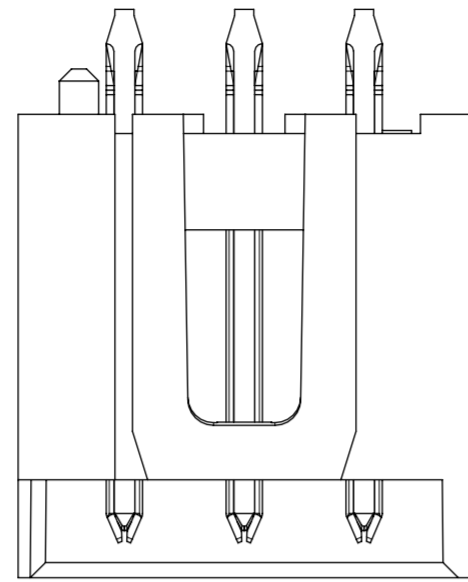
THIS DRAWING CONTAINS INFORMATION THAT IS PROPRIETARY TO MOLEX ELECTRONIC TECHNOLOGIES, LLC AND SHOULD NOT BE USED WITHOUT WRITTEN PERMISSION									
DIMENSION UNITS		SCALE		CURRENT REV DESC:					
mm		5:1							
GENERAL TOLERANCES (UNLESS SPECIFIED)				EC NO: 706747					
ANGULAR TOL ± 0.5°				4 PLACES ±		DRWN: SHRUTJ		2022/04/27	
3 PLACES ±				3 PLACES ±		CHK'D: SHRUTJ		2022/05/13	
2 PLACES ± 0.2				2 PLACES ± 0.25		APPR: ISHWARG		2022/05/13	
1 PLACE ±				0 PLACES ±		INITIAL REVISION:			
DRAFT WHERE APPLICABLE MUST REMAIN WITHIN DIMENSIONS				THIRD ANGLE PROJECTION		DRAWING		SERIES	
				A2-SIZE		207479		2018/09/19	
						2019/02/05		2019/02/05	
DOCUMENT NUMBER		DOC TYPE		DOC PART		REVISION			
2074790000-SD		PSD		000		C2			
MATERIAL NUMBER		CUSTOMER		SHEET NUMBER					
SEE TABLE		GENERAL MARKET		1 OF 2					

# POLARIZATION

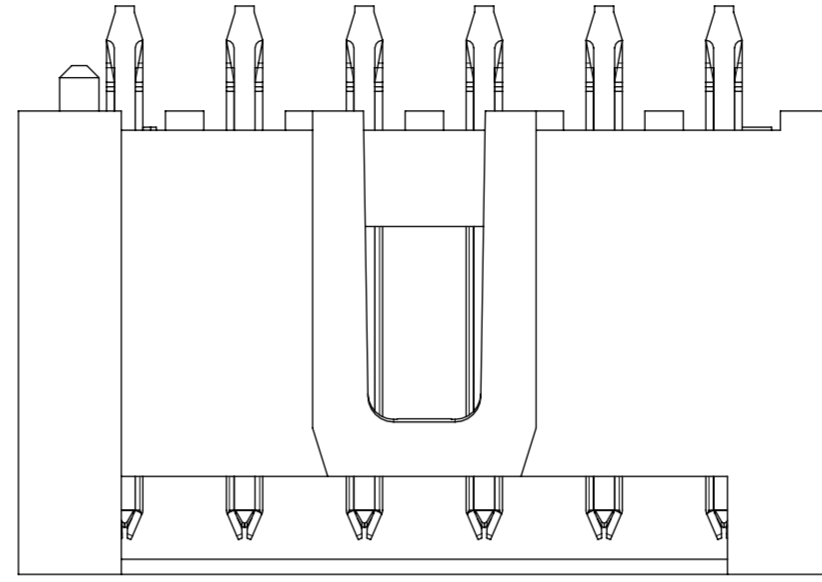
## 2 CKT



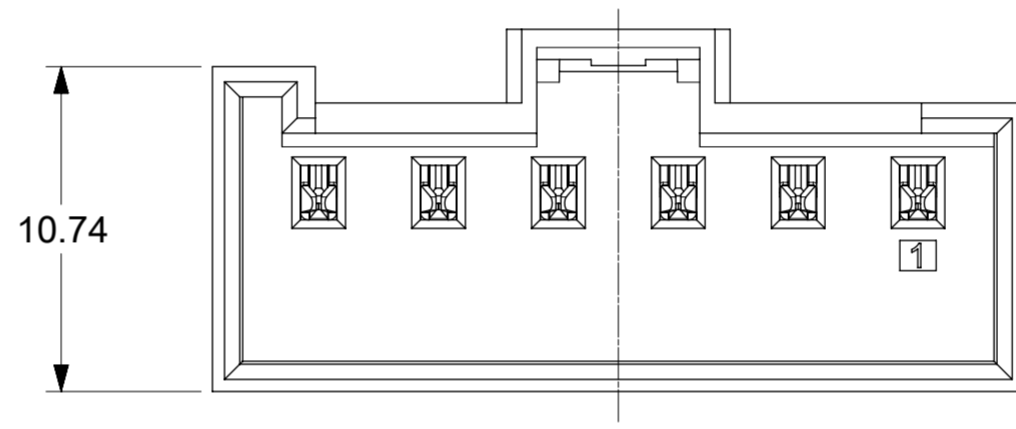
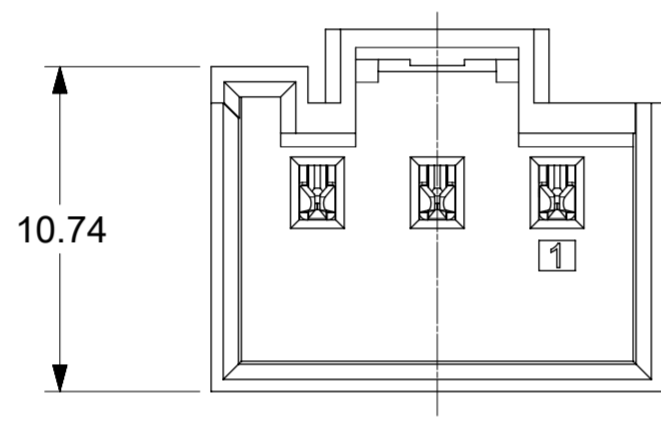
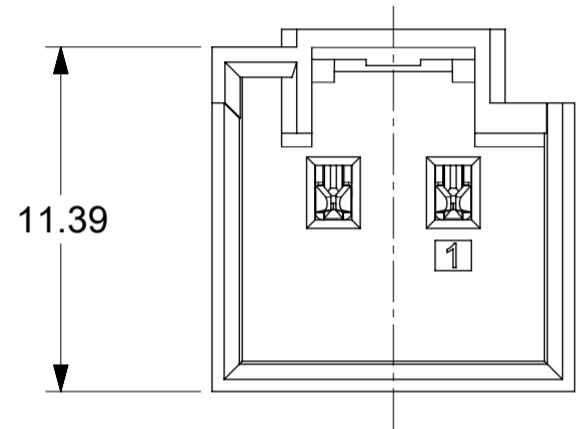
## 3 CKT



## 4 TO 6 CKT

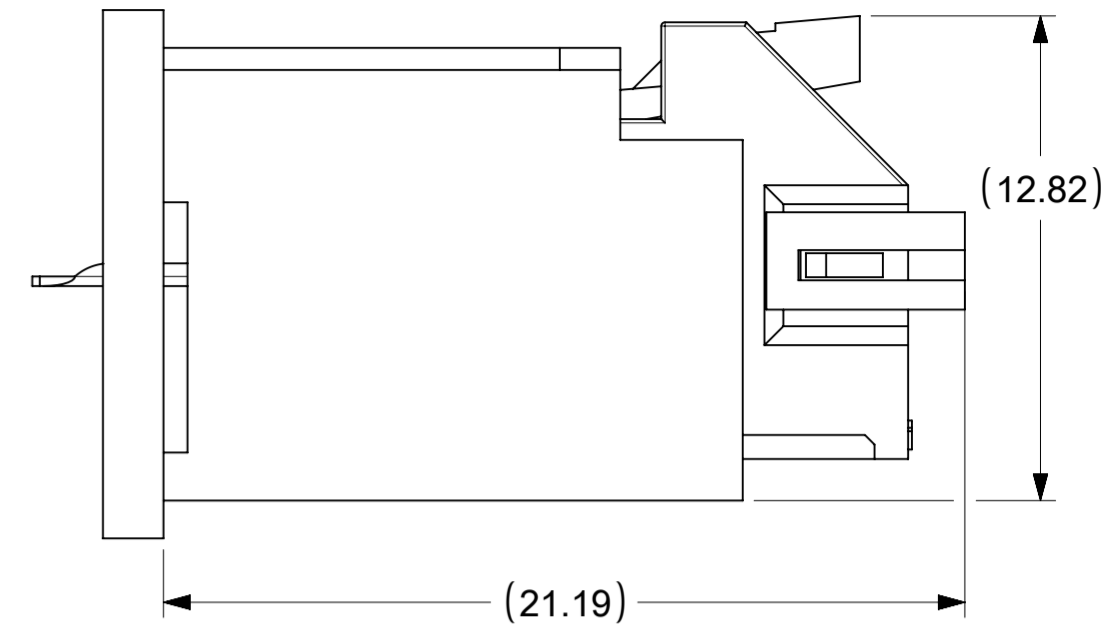


3.4

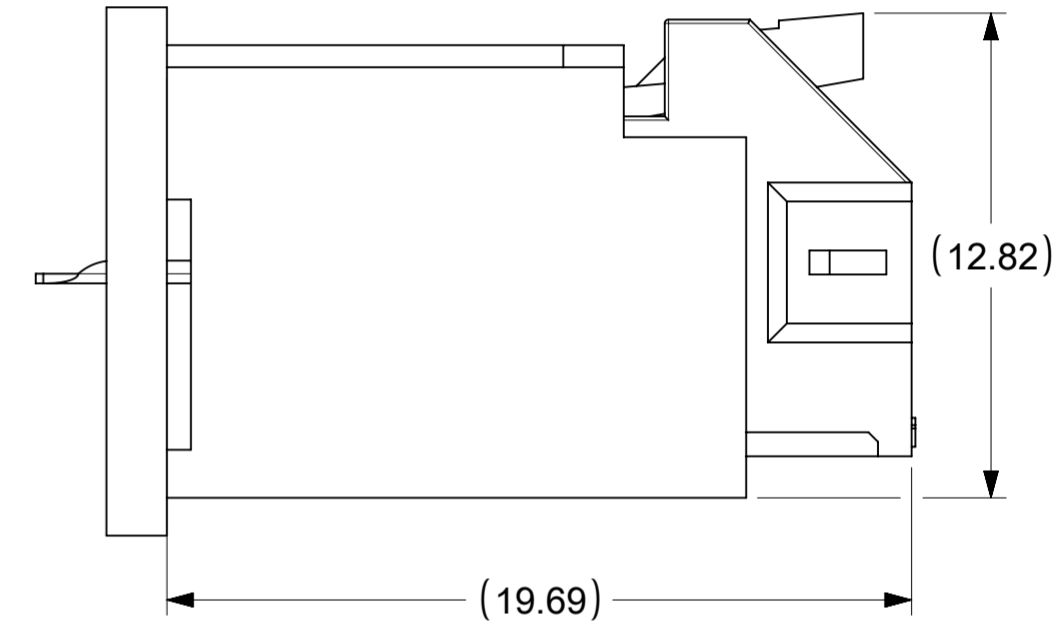


# ASSEMBLY DIMENSIONS

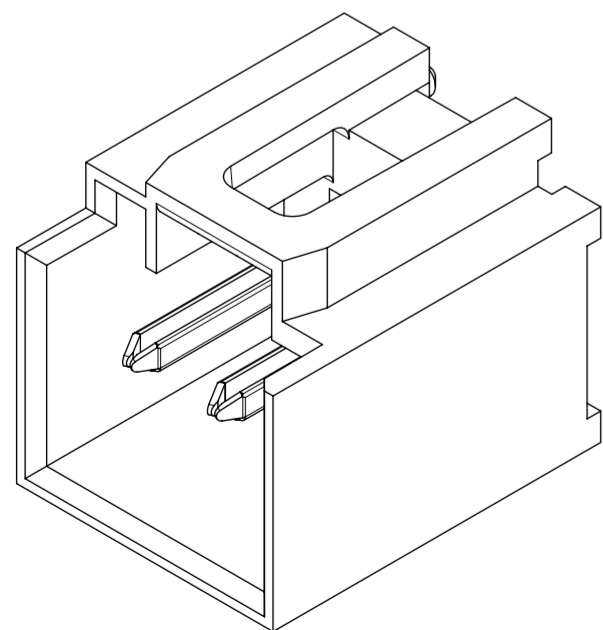
## WITH TPA



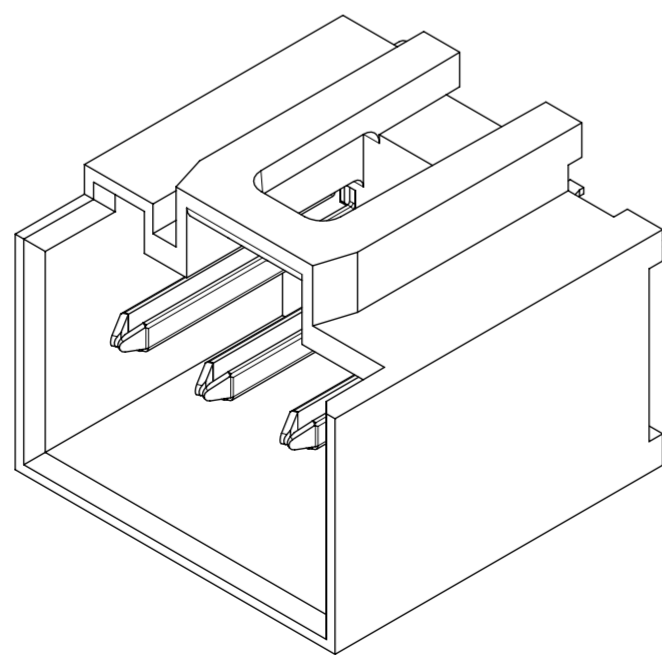
## WITHOUT TPA



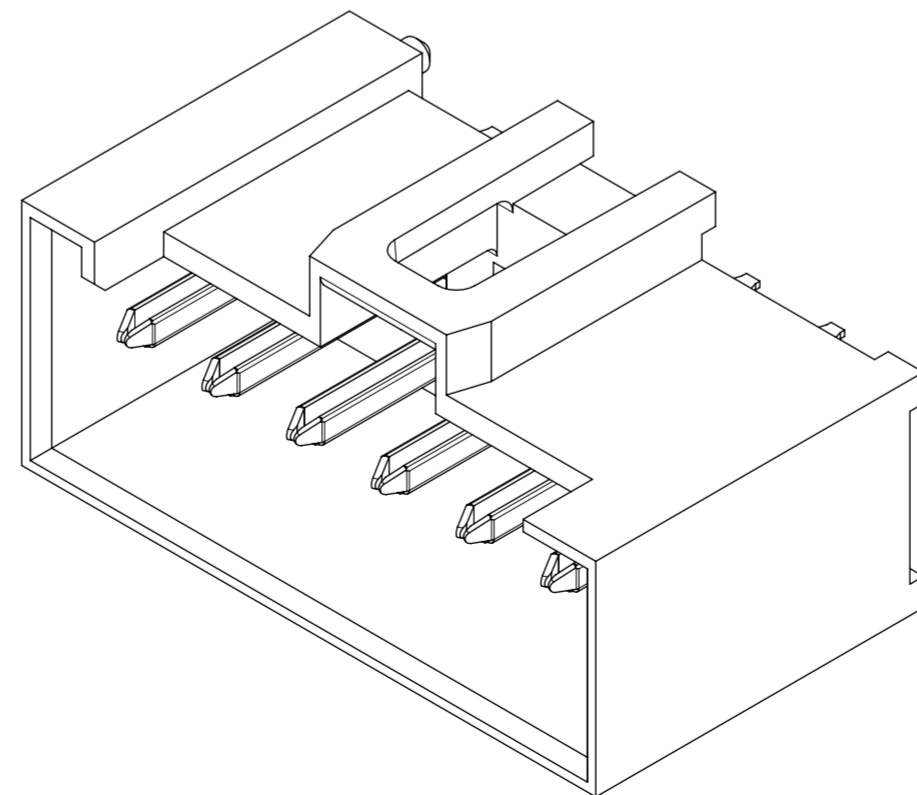
## ISOMETRIC VIEW 2 CKT



## ISOMETRIC VIEW 3 CKT



## ISOMETRIC VIEW 6 CKT



THIS DRAWING CONTAINS INFORMATION THAT IS PROPRIETARY TO MOLEX ELECTRONIC TECHNOLOGIES, LLC AND SHOULD NOT BE USED WITHOUT WRITTEN PERMISSION

DIMENSION UNITS	SCALE	CURRENT REV DESC:					
mm	4:1						
GENERAL TOLERANCES (UNLESS SPECIFIED)		EC NO: 706747		KK PLUS 396 SHROUDED HEADER ASSEMBLY			
ANGULAR TOL	± 0.5°	DRWN: SHRUTJ 2022/04/27					
4 PLACES	±	CHK'D: SHRUTJ 2022/05/13		PRODUCT CUSTOMER DRAWING			
3 PLACES	±	APPR: ISHWARG 2022/05/13					
2 PLACES	± 0.2	INITIAL REVISION:		DOCUMENT NUMBER: 2074790000-SD DOC TYPE: PSD DOC PART: 000 REVISION: C2			
1 PLACE	± 0.25	DRWN: GGUNAGI 2018/09/19					
0 PLACES	±	APPR: NCSR 2019/02/05		MATERIAL NUMBER: SEE TABLE CUSTOMER: GENERAL MARKET SHEET NUMBER: 2 OF 2			
DRAFT WHERE APPLICABLE MUST REMAIN WITHIN DIMENSIONS		THIRD ANGLE PROJECTION	DRAWING				
			A2-SIZE	207479			