

Ratings

Voltage: 300 V
 Temperature: -40 ~ 80 °C
 Flammability: FT2

Conductor

Conductor count: 3
 Gauge: 20 AWG 0.52 mm²
 Material: bare copper strands
 Strand size: Ø 0.127 mm x 41
 Max resistance at 20 °C: 36.7 Ω /km

Insulator

Material: TPE 85A
 Color: white, black, red
 Diameter: Ø 1.5 ±0.10 mm
 Nominal thickness: 0.24 mm
 Minimum resistance @ 20 °C: 100 MΩ /km

Shield

Type: braided
 Material: bare copper strands
 Stranding: Ø0.10 mm, 65% minimum coverage

Drain

Material: bare copper strands
 Stranding: Ø0.127 x 41

Outer jacket

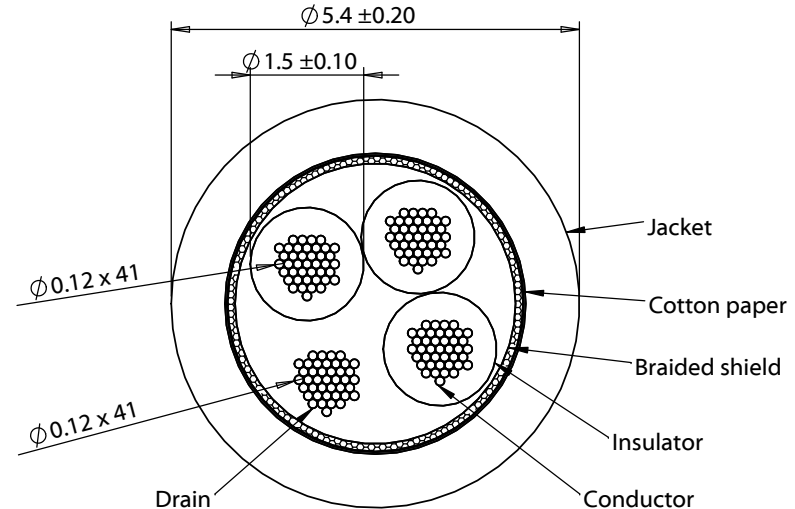
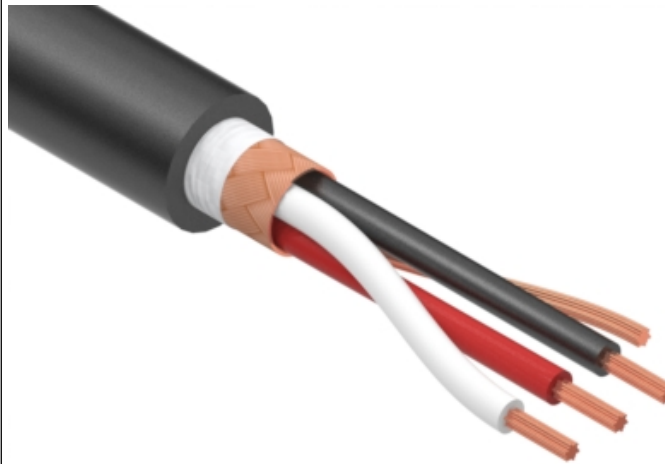
Material: TPU (Polyether Polyurethane) 80A
 Color: black
 Diameter: Ø 5.4 ±0.20 mm
 Nominal thickness: 0.80 mm

Wire marking: E339579 UL AWM STYLE 20280 20 AWG 80°C 300V --- cUL AWM I/II A 80 °C 300V FT2 TENSILITY

Tests

Spark test: 3.0 kV
 Insulation tensile strength: 0.562 kgf/mm²
 Jacket tensile strength: 1.05 kgf/mm²
 After aging at 113 ±2 °C for 7 days:
 Minimum jacket tensile strength 70 % original
 Minimum insulation tensile strength 75 % original
 Minimum jacket elongation 65 % original
 Minimum insulation elongation 75 % original
 Heat shock: 121 ±1 °C /1 hour, no observed degradation
 Deformation: 121 ±1 °C /1 hour, ≤ 50 %
 Cold bend: -10 ±2 °C /1 hour, no observed cracking
 Dielectric test: 2000 Vac for 1 minute without breakdown

Use: Internal wiring or external interconnection of electronic equipment.



Revision:	Date:	Description:	Prepared:	Notes:	TENSILITY tel 1.541.323.3228 800 877.670.7118 fax 1.541.323.4202 web tensility.com
A	6/12/2019	Initial release	Verified:	RoHS and REACH compliant Phthalate and halogen free	
			Dimensions are in millimeters. Tolerances: X: ± 0.5 mm X.X: ± 0.3 mm X.XX: ± 0.05 mm	Function: no open, no short circuit, no intermittent	Size: Part number: A 30-00911
				Description: Wire, 3C BC, 20 AWG, UL20280, 300V, 80C, 5.4 mm, braided shield, FT2, TPU	Scale: 10:1 Sheet 1 of 1

5

4

3

2

1