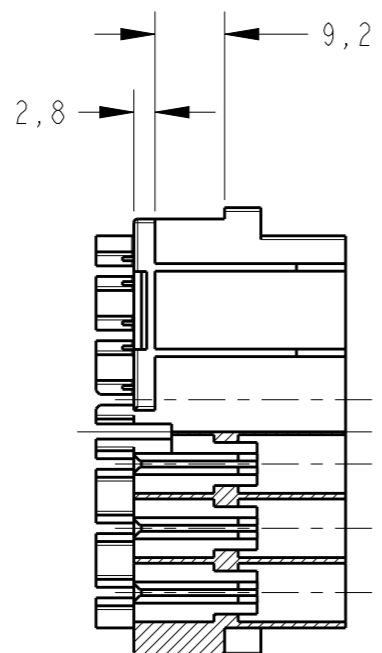
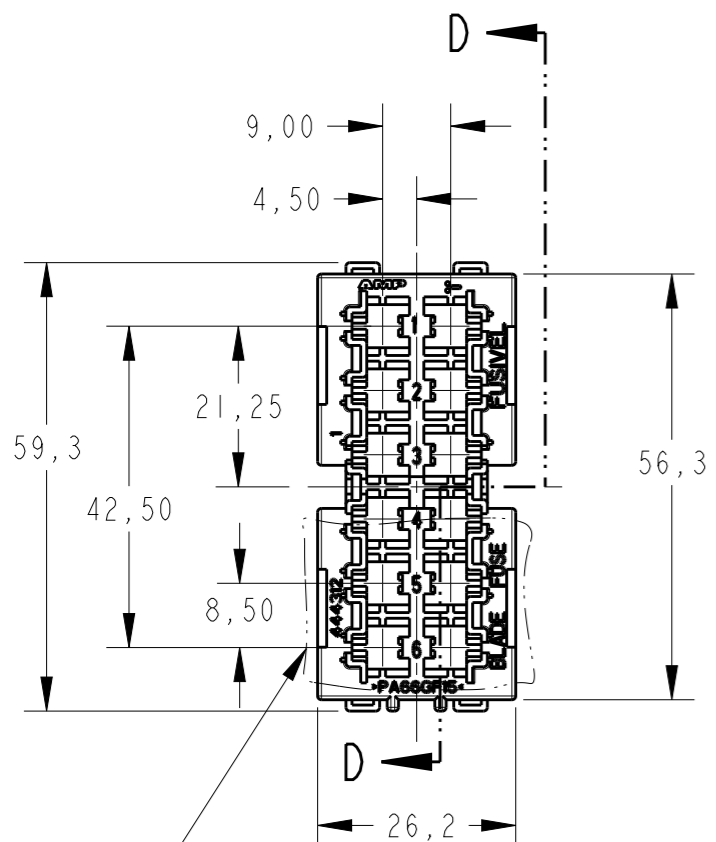
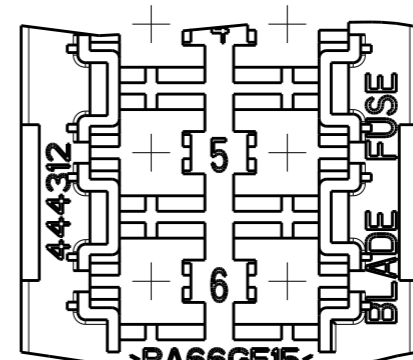
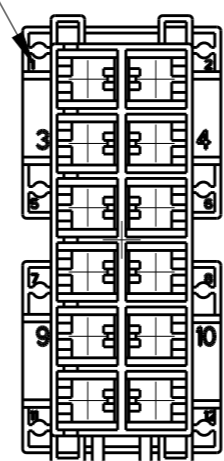


THIS DRAWING IS UNPUBLISHED. RELEASED FOR PUBLICATION  
 © COPYRIGHT 19 BY - ALL RIGHTS RESERVED.

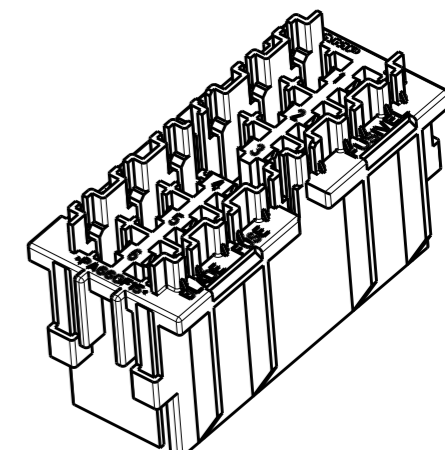
LOC	DIST	REVISIONS					
AP	-	P	LTR	DESCRIPTION	DATE	DWN	APVD
			A1	REVISED BY ECO-06-006673	18MAY2006	EGS	PLF
			B	REVISED DESIGN ECO-13-004522	01APR2013	NCL	BR



IDENTIFICACAO DE CIRCUITO  
 CIRCUIT IDENTIFICATION

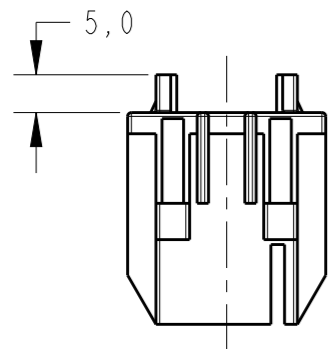


DETAIL X  
 SCALE 2:1



PERSPECTIVE VIEW  
 SCALE 1:1

SEE DETAIL X



GRAVAÇÃO MARKING
LOGOTIPO AMP AMP LOGO
CÓDIGO PAÍS PRODUTOR MANUFACTURER COUNTRY CODE
NOMENCLATURA MATERIAL MATERIAL NOMENCLATURE
NÚMERO COMPONENTE TE TE COMPONENT NUMBER

—	VIOLETA/VIOLET	PA 6.6+15% F.V / G.F	444312-9
—	CINZA/GRAY	PA 6.6+15% F.V / G.F	444312-8
—	VERDE/GREEN	PA 6.6+15% F.V / G.F	444312-7
—	BRANCO/WHITE	PA 6.6+15% F.V / G.F	444312-6
—	AZUL/BLUE	PA 6.6+15% F.V / G.F	444312-5
—	AMARELO/YELLOW	PA 6.6+15% F.V / G.F	444312-4
—	VERMELHO/RED	PA 6.6+15% F.V / G.F	444312-3
—	MARROM/BROWN	PA 6.6+15% F.V / G.F	444312-2
—	PRETO/BLACK	PA 6.6+15% F.V / G.F	444312-1
RAW MAT'L NO	FINISH	MATERIAL	PART NUMBER

- 1- CAVIDADES PARA TERMINAIS "FUSE CONTACT": 880397; 880398; 880399 E "FUSE CONTACT BUSBAR" 880490 E 880492.
- 2- PRIMEIRO USO EM: "FUSE BOX FRAME" 444308.
- 3- CONECTOR PARA FUSIVEL AMP 688670 CONF. SAE-J1284.

- 1- CAVITIES FOR FUSE CONTACT TERMINAL: 880397; 880398 880399 AND FUSE CONTACT BUSBAR 880490 AND 880492.
- 2- FIRST USED ON: FUSE BOX FRAME 444308.
- 3- CONNECTOR FOR BLADE FUSE AMP NO.688670 ACCORDING SAE-J1284.



THIS DRAWING IS A CONTROLLED DOCUMENT.		DWN M.L. OGAWA 02SEP99	TE Connectivity	
DIMENSIONS: mm		CHK P.L. FARIA 05SEP99		
TOLERANCES UNLESS OTHERWISE SPECIFIED:		APVD L.G. DALTO 05SEP99	NAME HOUSING, 12 POSN. FUSE CONTACT	
0 PLC ±°		PRODUCT SPEC -	SIZE A3 CAGE CODE 00779 DRAWING NO C-444312 RESTRICTED TO -	
1 PLC ±0,3		APPLICATION SPEC -	SCALE 1:1 SHEET OF REV B	
2 PLC ±°		WEIGHT -	Customer Drawing	
3 PLC ±°				
4 PLC ±°				
ANGLES ±°				
FINISH SEE TABLE				