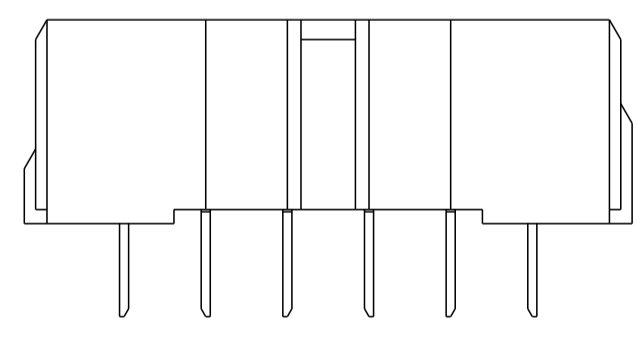
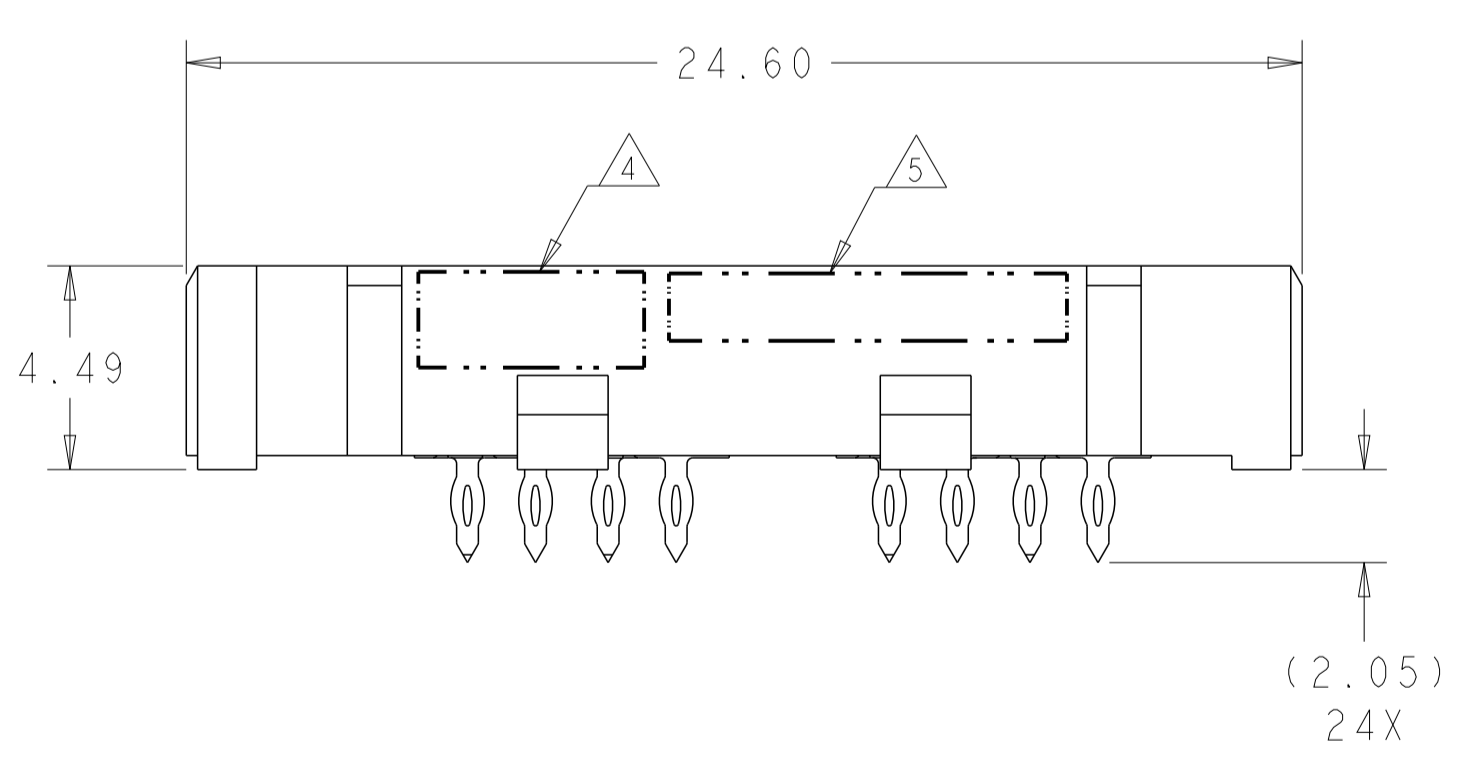
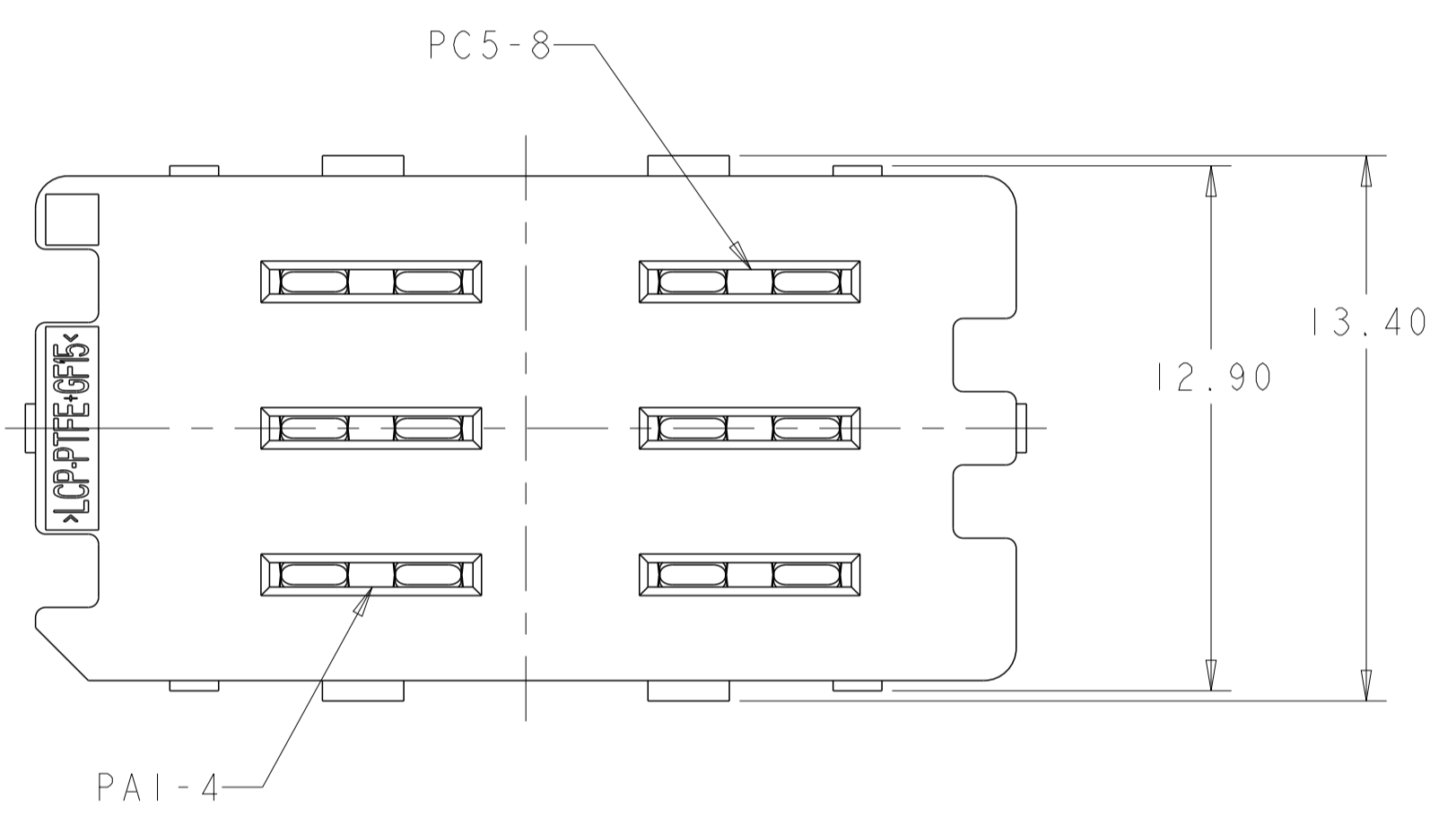
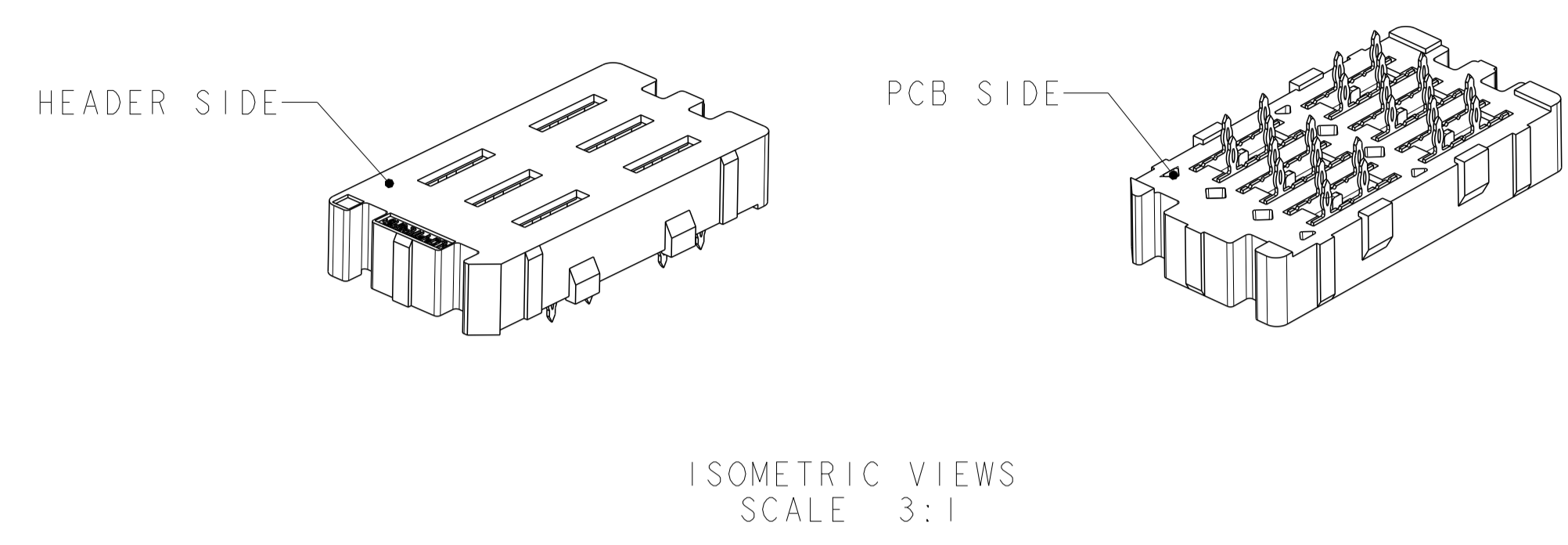


LOC	DIST	REVISIONS			
P	LTN	DESCRIPTION	DATE	DWN	APVD
B		ECR-21-122345	23NOV2022	TL	HL



- △ MATERIAL:
HOUSING: THERMOPLASTIC, FLAMMABILITY RATING UL94 V-0
CONTACT: COPPER ALLOY
- 2. CONFORMS TO THE REQUIREMENTS OF TE PRODUCT SPECIFICATION, 108-2375; BASED ON TELCORDIA GR-1217-CORE FOR SYSTEM QUALITY LEVEL III, APPLICATIONS IN CONTROLLED ENVIRONMENTS (CENTRAL OFFICE).
SEE TE PRODUCT SPECIFICATION 108-2375 FOR TEST SEQUENCES.
- △ SPECIFIED POSITIONAL TOLERANCE DEFINES HOLE TO HOLE LOCATION WITHIN HOLE PATTERN. POSITIONAL TOLERANCE OF HOLE PATTERN TO FIDUCIAL MARKS OR PCB DATUMS SHALL BE DEFINED BY CUSTOMER.
- △ AREA RESERVED FOR TE CONNECTIVITY LOGO.
- △ AREA RESERVED FOR PART NUMBER (X-XXXXXXX-X) AND DATE CODE (YYWW).
- △ USE CENTER LINES INDICATED ON PCB HOLE PATTERN TO ESTABLISH ALIGNMENT BETWEEN HEADER AND RECEPTACLE BOARDS.
- △ PLATED THROUGH HOLE REQUIREMENTS:
HOLE SIZE PRIOR TO PLATING = $\varnothing 0.700 \pm 0.025$
COPPER PLATING THICKNESS = 0.038 ± 0.013
CALCULATED FINISHED HOLE SIZE = $\varnothing 0.624 \pm 0.051$
THESE DIMENSIONS APPLY TO THE TOP 1.50mm OF THE PCB THICKNESS FROM THE CONNECTOR MOUNTING SIDE.

**SIZE 1 HALF-WIDE *
6 POWER CONTACTS**

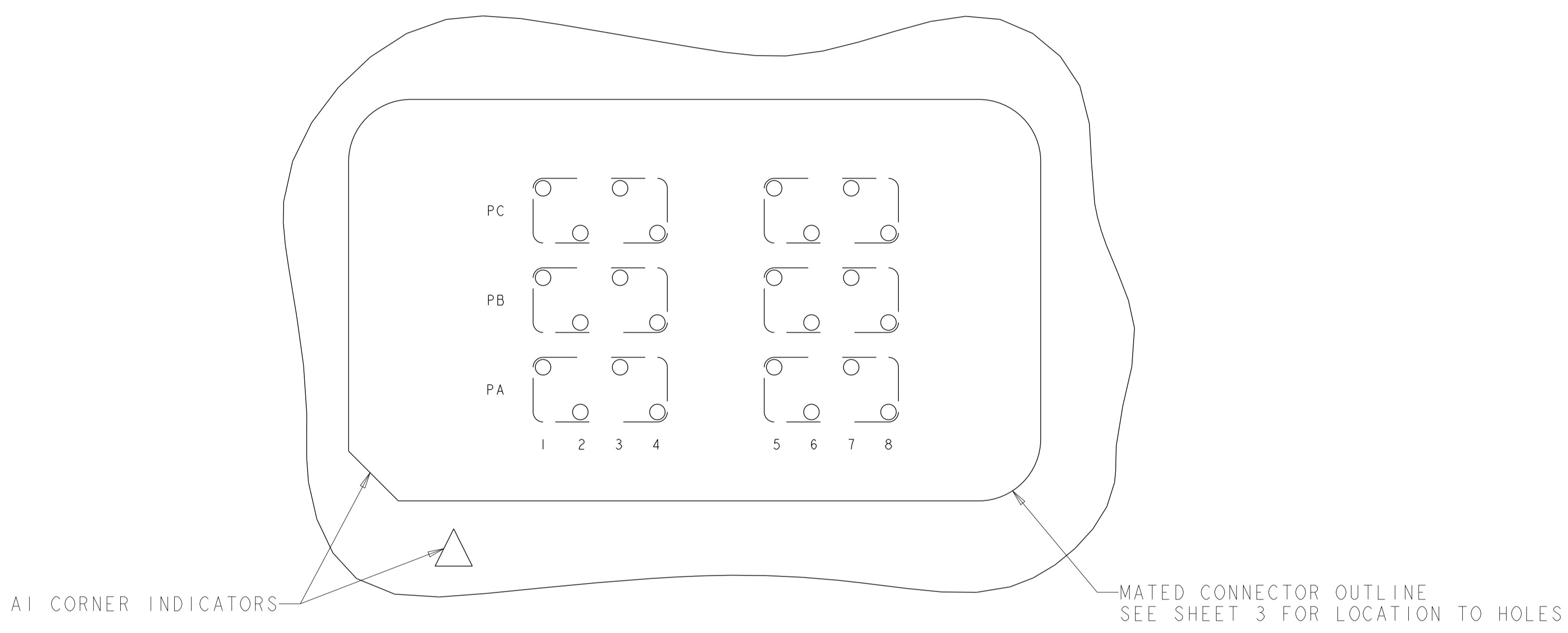
* SIZE 2 AND SIZE 3 ARE ALSO AVAILABLE

YES	MATTE Sn	5-2149521-1
OBSOLETE	Sn/Pb	2149521-1
TOOLED	CONTACT TAIL PLATING	PART NUMBER
DWN HAMNER 02NOV2010 CHK D. TROUT 03NOV2010 APVD J. FEDDER 03NOV2010		TE TE Connectivity NAME RECEPTACLE ASSEMBLY, HALF-WIDE, 6P, STRADA MESA MEZZANINE CONNECTOR PRODUCT SPEC 108-2375 APPLICATION SPEC 114-13249 SIZE 114-13249 CAGE CODE DRAWING NO. A100779C=2149521 RESTRICTED TO - WEIGHT - Customer Drawing SCALE 1:1 SHEET 1 OF 3 REV B


THIS DRAWING IS A CONTROLLED DOCUMENT.	
DIMENSIONS:	TOLERANCES UNLESS OTHERWISE SPECIFIED:
mm	0 PLC ±
	1 PLC ±.13
	2 PLC ±.013
	3 PLC ±.013
	4 PLC ±.013
	ANGLES ±.1
MATERIAL:	FINISH:

THIS DRAWING IS UNPUBLISHED. RELEASED FOR PUBLICATION 20
 © COPYRIGHT 20 BY - ALL RIGHTS RESERVED.

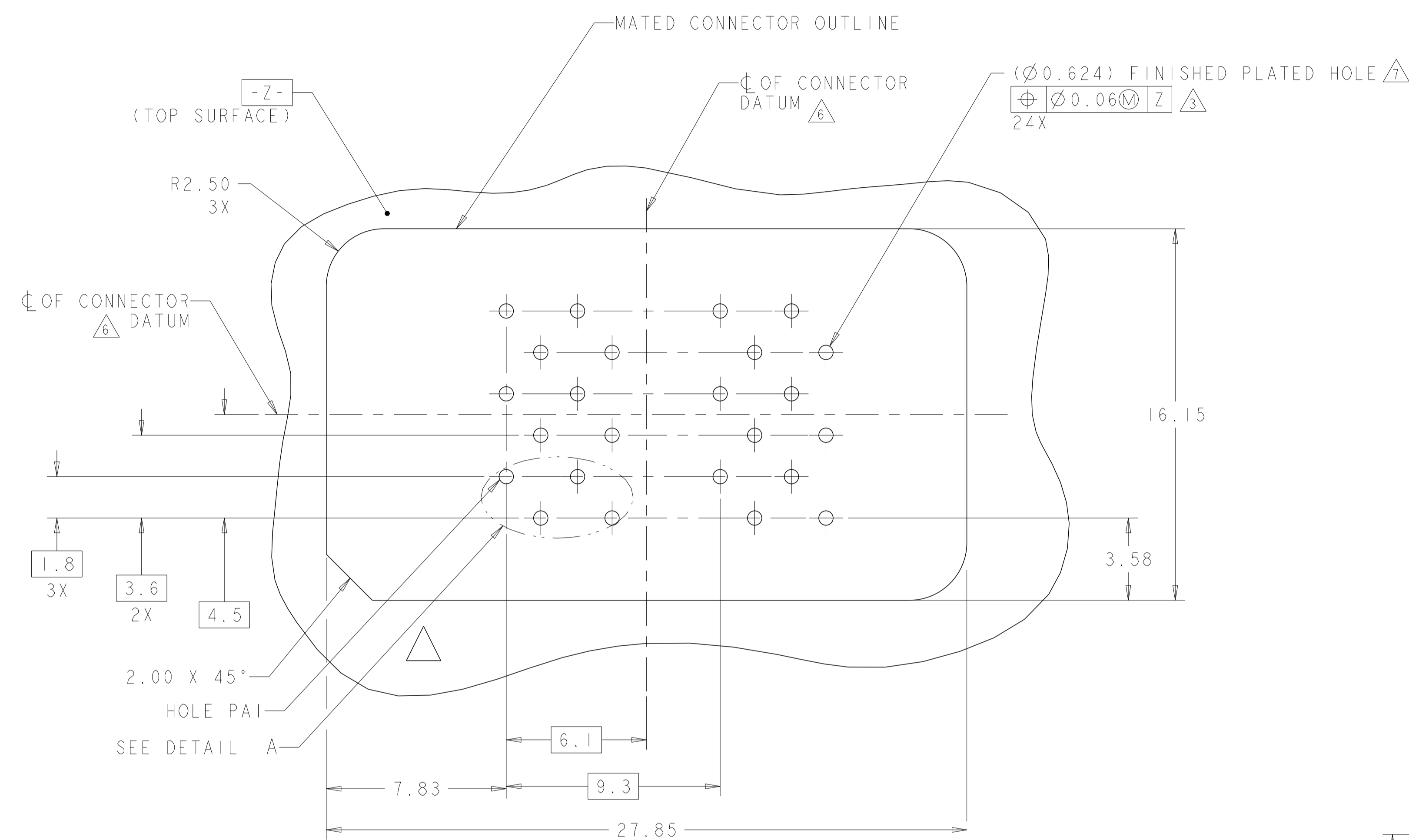
LOC	DIST	REVISIONS					
		P	LTN	DESCRIPTION	DATE	DWN	APVD
GP	00	-	-	SEE SHEET 1	-	-	-



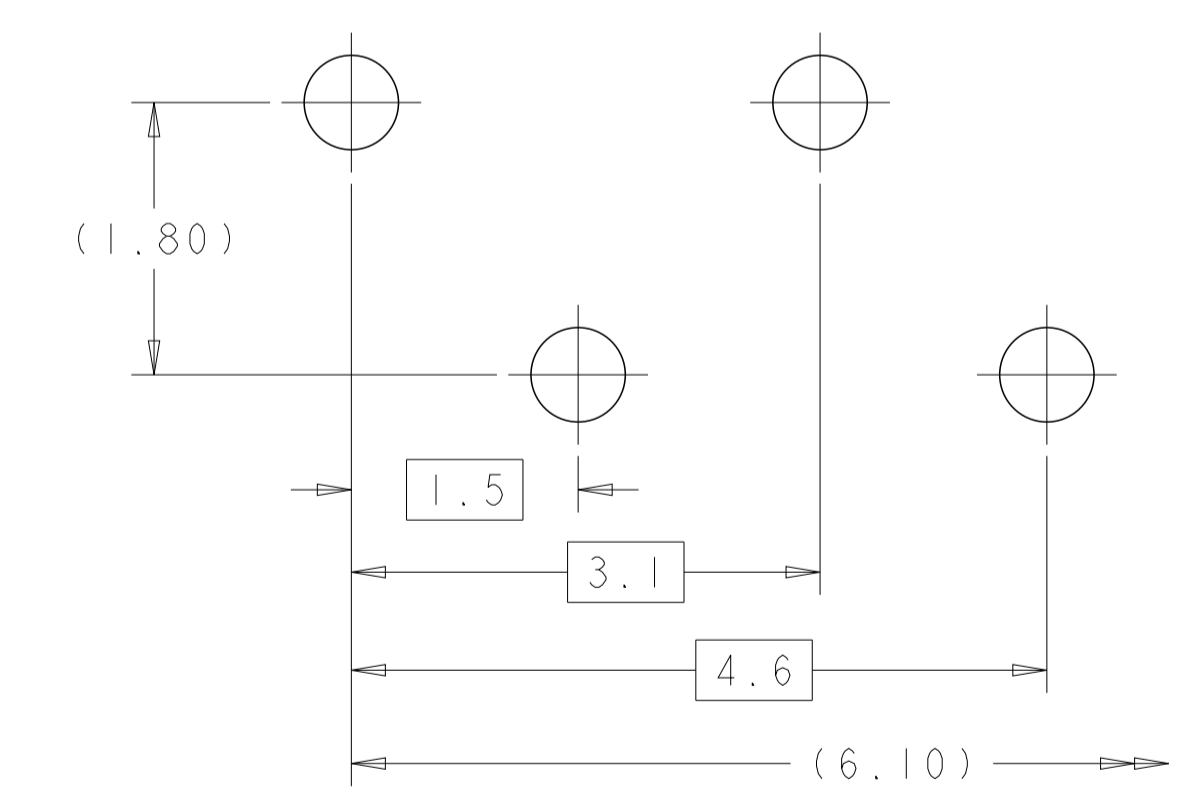
PCB LAYOUT AND PIN IDENTIFICATION
 SHOWN FROM CONNECTOR SIDE
 SCALE 7:1

THIS DRAWING IS A CONTROLLED DOCUMENT.		DWN HAMNER 02NOV2010	 TE Connectivity
DIMENSIONS: mm		CHK D. TROUT 03NOV2010	
TOLERANCES UNLESS OTHERWISE SPECIFIED:		APVD J. FEDDER 03NOV2010	NAME RECEPTACLE ASSEMBLY, HALF-WIDE, 6P, STRADA MESA MEZZANINE CONNECTOR
0 PLC ± 1 PLC ± 2 PLC ±0.13 3 PLC ±0.013 4 PLC ± ANGLES ±1		PRODUCT SPEC 108-2375 APPLICATION SPEC 114-13249	SIZE A100779C=2149521
MATERIAL -		FINISH -	RESTRICTED TO -
Customer Drawing		WEIGHT -	SCALE 6:1 SHEET 2 OF 3 REV B

LOC		DIST		REVISIONS			
P	LTN	DESCRIPTION	DATE	OWN	APVD		
-	-	SEE SHEET 1	-	-	-		



PCB HOLE PATTERN
 SHOWN FROM CONNECTOR SIDE
 SCALE 7:1



DETAIL A
 6X
 SCALE 20:1

THIS DRAWING IS A CONTROLLED DOCUMENT.		OWN HAMNER 02NOV2010		TE Connectivity	
DIMENSIONS: mm		CHK D. TROUT 03NOV2010		NAME RECEPTACLE ASSEMBLY, HALF-WIDE, 6P, STRADA MESA MEZZANINE CONNECTOR	
TOLERANCES UNLESS OTHERWISE SPECIFIED:		APVD J. FEDDER 03NOV2010	PRODUCT SPEC		
0 PLC ±		108-2375	APPLICATION SPEC		
1 PLC ±0.13		114-13249	SIZE CAGE CODE DRAWING NO RESTRICTED TO		
2 PLC ±0.013		114-13249	A100779C=2149521		
3 PLC ±		WEIGHT	SCALE 1:1 SHEET 3 OF 3 REV B		
4 PLC ±		Customer Drawing			
ANGLES ±1					
FINISH					