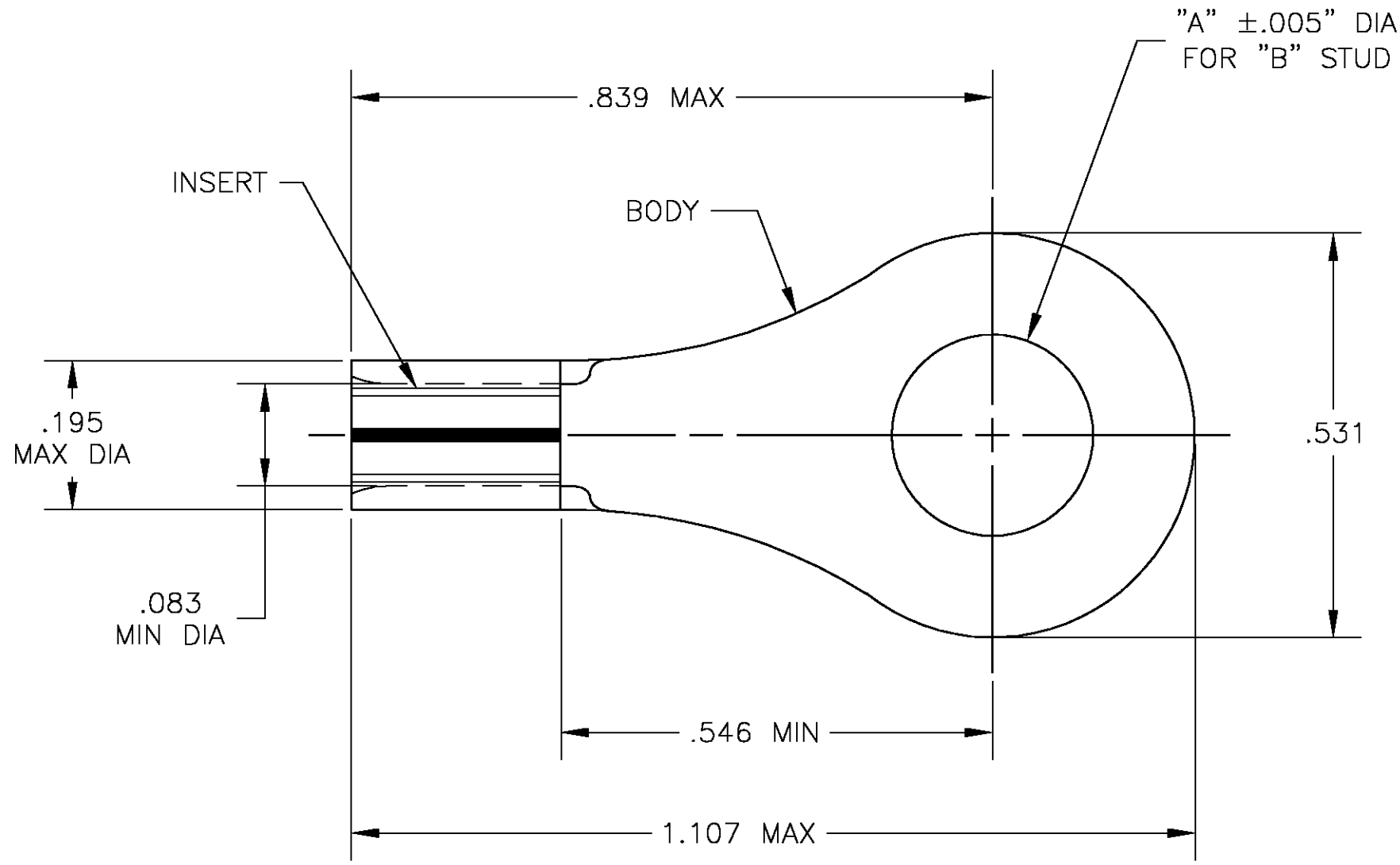


THIS DRAWING IS UNPUBLISHED. RELEASED FOR PUBLICATION
 © COPYRIGHT BY TYCO ELECTRONICS CORPORATION. ALL RIGHTS RESERVED.

LOC	DIST	REVISIONS					
		P	LTR	DESCRIPTION	DATE	DWN	APVD
G	14		C	REV PER 0G3A-0356-04	10MAY04	JR	MS

- 1 MATERIAL THICKNESS IS .031±.002
- 2 BODY: COPPER PER ASTM B-152
TIN PLATE PER ASTM B-545
- 3 INSERT: BRASS (MIL-C-50)
.000300 MIN EXT THK TIN PLATE
PER ASTM B-545



OBSOLETE	1/4	.265	52587-1
	3/8	.390	52587-0
	DIM "B"	DIM "A"	PART NO

THIS DRAWING IS A CONTROLLED DOCUMENT.		DWN jr_ruth 10MAY04	Tyco Electronics Corporation Harrisburg, PA 17105													
DIMENSIONS: INCHES		CHK M SPICER 10MAY04														
TOLERANCES UNLESS OTHERWISE SPECIFIED:		APVD M SPICER 10MAY04	NAME WIRE TERMINAL, RING TONGUE COPALUM STRANDED/SOLID WIRE SIZE : 16-14													
<table border="1"> <tr><td>0 PLC</td><td>± -</td></tr> <tr><td>1 PLC</td><td>± -</td></tr> <tr><td>2 PLC</td><td>± -</td></tr> <tr><td>3 PLC</td><td>± .008</td></tr> <tr><td>4 PLC</td><td>± -</td></tr> <tr><td>ANGLES</td><td>± 5'</td></tr> </table>		0 PLC	± -	1 PLC	± -	2 PLC	± -	3 PLC	± .008	4 PLC	± -	ANGLES	± 5'	PRODUCT SPEC -	SIZE A3	
0 PLC	± -															
1 PLC	± -															
2 PLC	± -															
3 PLC	± .008															
4 PLC	± -															
ANGLES	± 5'															
MATERIAL SEE NOTES		APPLICATION SPEC -	CAGE CODE 00779	DRAWING NO C-52587												
FINISH SEE NOTES		WEIGHT -	RESTRICTED TO -													
CUSTOMER DRAWING			SCALE 5:1	SHEET 1 OF 1												
			REV C													