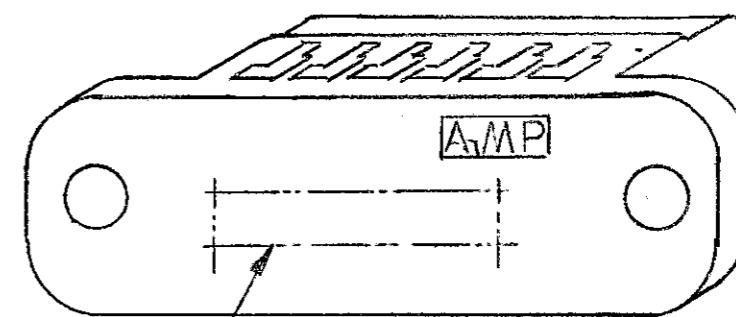
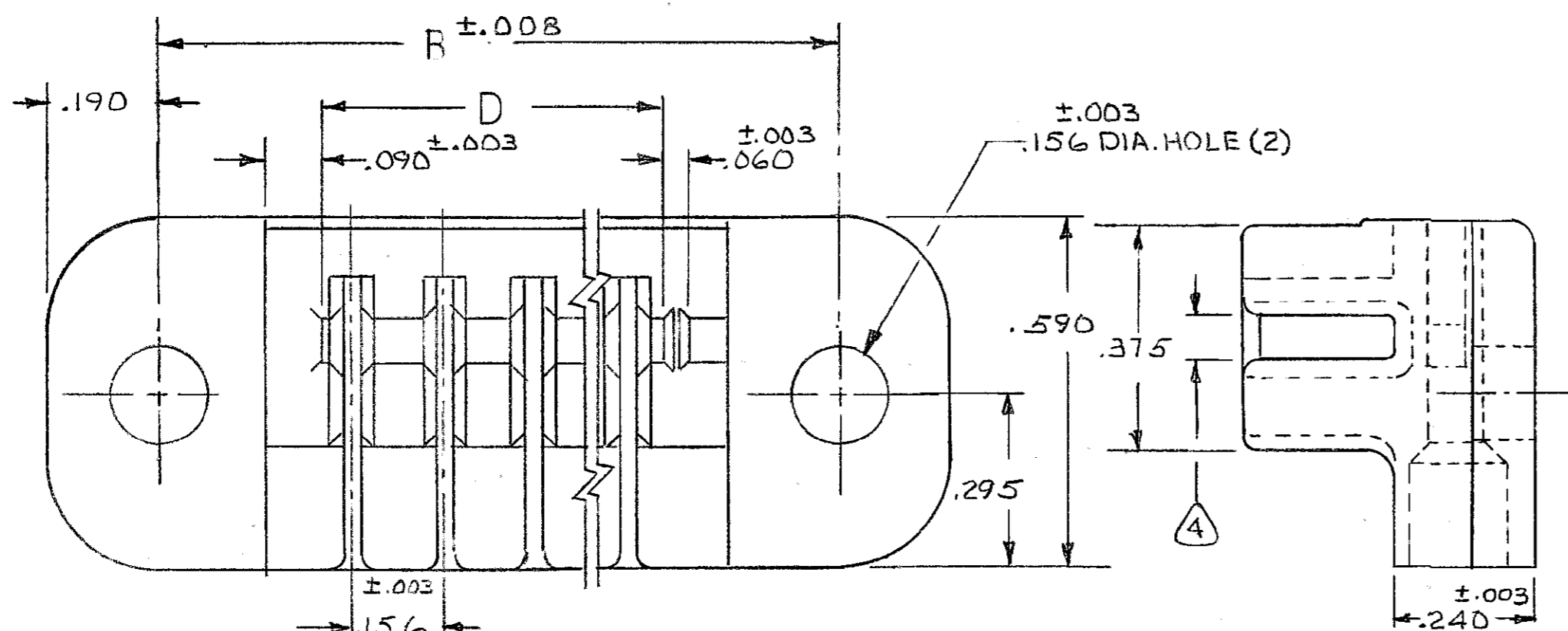
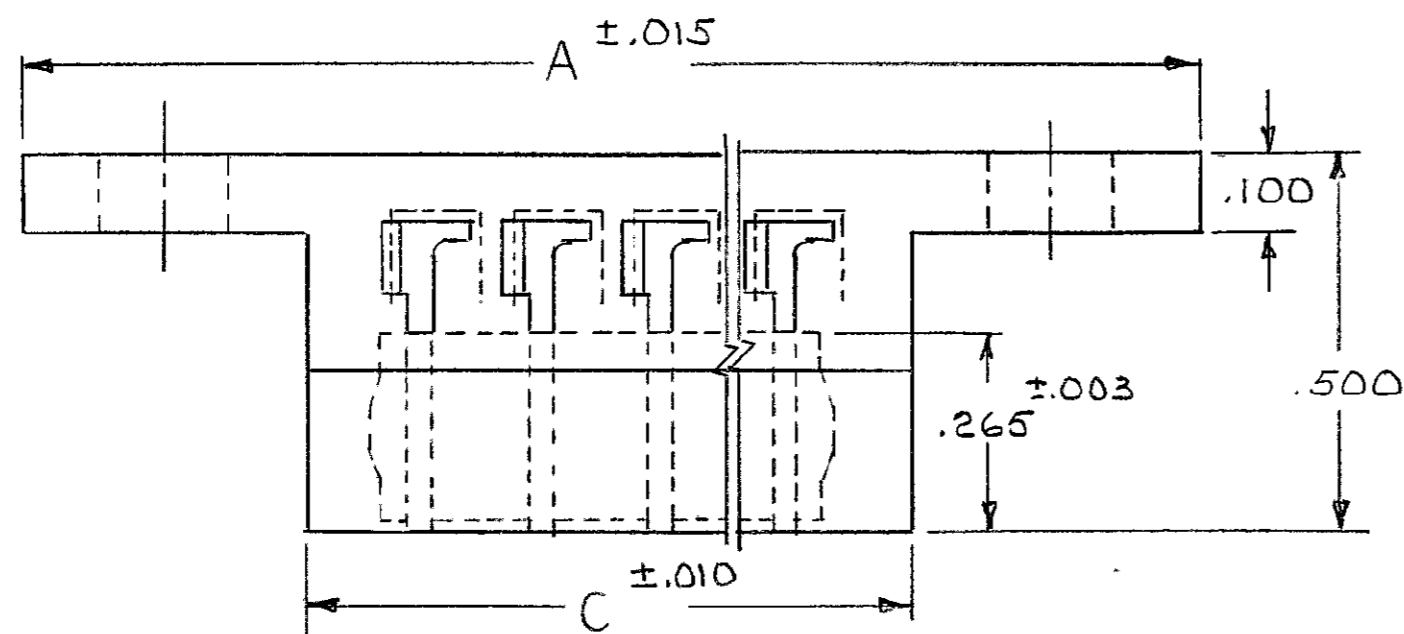
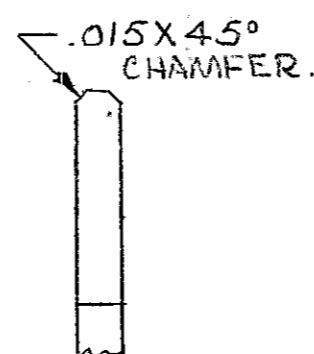
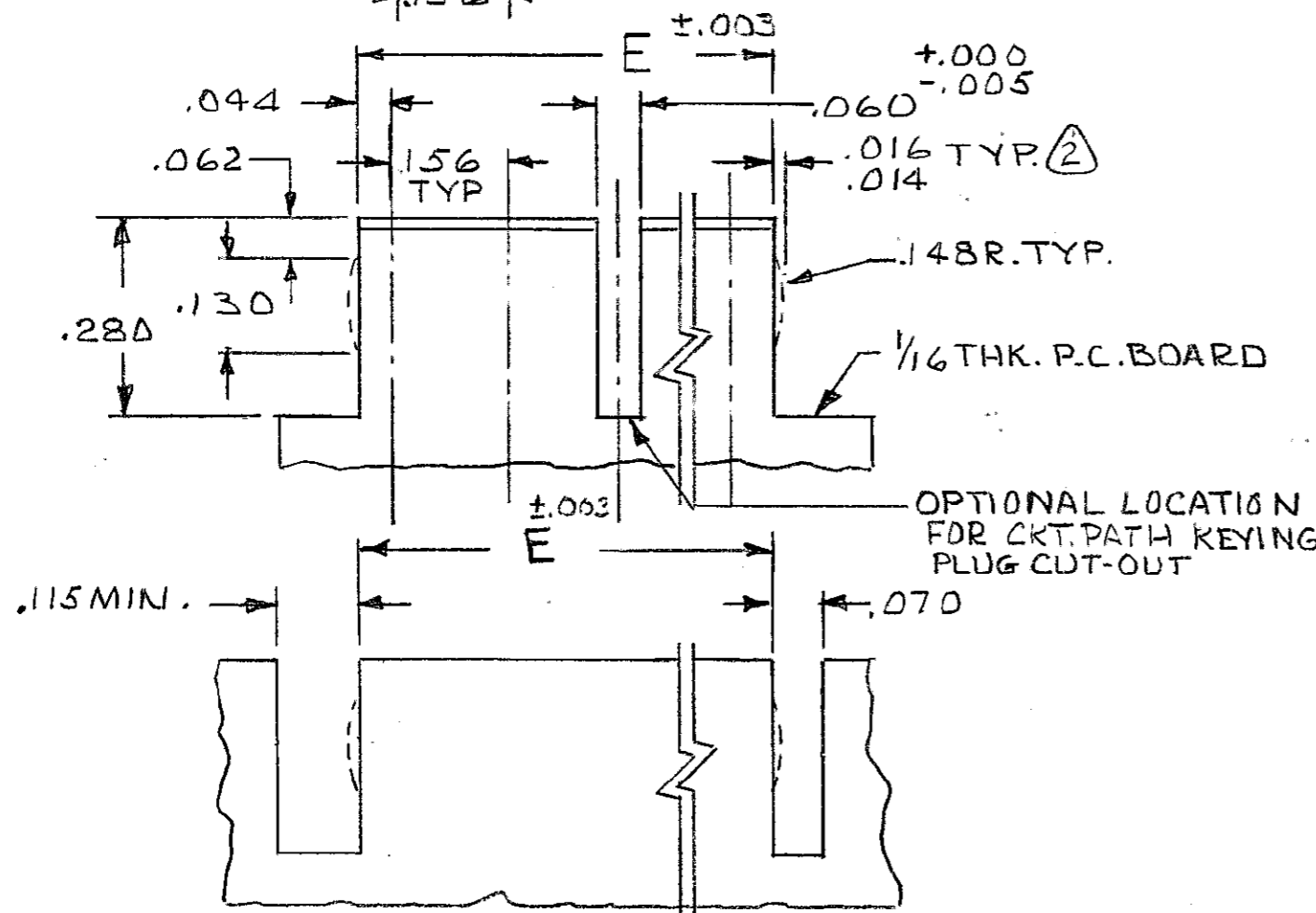


© COPYRIGHT 1975 BY AMP INCORPORATED, HARRISBURG, PA. ALL INTERNATIONAL RIGHTS RESERVED. AMP INCORPORATED PRODUCTS COVERED BY U. S. AND FOREIGN PATENTS AND/OR PATENTS PENDING.

REVISIONS					
P	F	ZONE	LTR	DESCRIPTION	DATE APPROVED
			A1	ADDED 1- - 6 m.s. 7434	6-81
			A2	OBS -4 PER AD1253	7-1-86 CP/CS
			B	OBS -5 / AD 1746	12-6-87
			C	REV PER AD2190	1/89 CP
			D	REV PER 0010-1143-95	11-95 P.B.
			E	REV PER EC 0G3C-233-01	02OCT01 MM
			E1	REVISED PER ECO-09-026346	NOV09 AEG
			E2	REVISED PER ECO-20-006229	KRJS 21MAY2020



PART NO & DATE CODE MARKED OR MOLDED IN THIS AREA. DATE CODE (OPT.)



- 1. REFER TO 530501 TO 530508 FOR TERMINALS
- 2. RETAINING DIMPLES ARE OPTIONAL IN BOTH CUT-OUTS
- 3. CARD SLOTS AND MOUNTING HOLE DIMENSIONS TO BE CHECKED WITH HOUSING RESTRAINED AS MOUNTED.
- 4. FIT FOR .055-.070 P.C. BOARD.
- 5. IDENTIFICATION MARKING OMITTED.
- 6. OBSOLETE PARTS: OBSOLETE CIS STREAMLINING PER D.RENAUD/D.SINISI

5	OBSOLETE	1.805	1.818	2.028	2.408	2.788	12	530509-6
6	OBSOLETE	3.365	3.378	3.588	3.968	4.348	20	530509-9
		2.741	2.754	2.964	3.344	3.724	18	530509-8
		2.117	2.130	2.340	2.720	3.100	14	530509-7
6	OBSOLETE	1.805	1.818	2.028	2.408	2.788	12	530509-6
		.712	.730	.936	1.316	1.696	5	530509-5
	OBSOLETE	.400	.414	.624	1.004	1.384	3	530509-4
6	OBSOLETE	2.272	2.286	2.496	2.876	3.256	15	530509-3
	OBSOLETE	1.337	1.350	1.560	1.940	2.320	9	530509-2
		.868	.882	1.092	1.472	1.852	6	530509-1

UNLESS OTHERWISE SPECIFIED DIMENSIONS ARE IN INCHES. TOLERANCES ON: DECIMALS ±.005 ANGLES ±		CONTRACT NO		STE TE Connectivity	
MATERIAL	NYLON	DR	<i>Rumble 2-26-75</i>	NAME	
FINISH		CHK	<i>Rumble 2-26-75</i>	HOUSING, DUO-TYNE FLAG WITH MOUNTING EARS.	
		APPD	<i>M. Sushoy 2-27-75</i>	SIZE	C 00779
		APPD	<i>R. Sherman 2-27-75</i>	CODE IDENT NO	530509
		DSGN APPD		DRAWING NO	530509
		OTHER APPD		REV	E2
SCALE 4-1				SHEET 1 OF 1	