


CP2: 2108/2108H 2108 Part number 87610340


- \ 8 or 6-figure display, height 7 mm
- \ Totalizer:
 - 7 kHz and 40 Hz inputs
 - Max. counting capacity 99,999,999 impulses
- Hour counter/chronometer:
 - Start/stop/ inputs
 - 4 time ranges:
 - 99,999.9 hours - 99,999.9 min
 - 99,999.9 s - 99 h 59 min 59 s
 - Lithium battery powered
 - Reset either from front panel or remotely

Type	Description
87610340 2108	Impulse counter

Functions

Solid state input	▪
Display	8 digits LCD (2108) 6 digits LCD (2108H)
Height of digits	7 mm
Counting capacity	0 to 99 999 999 (2108)
Time ranges	(2108H) : 0 →99 999,9 h 0 →99 999,9 min 0 →99 999,9 s 0 →99 h 59 min 59 s
Time base	Quartz (precision ± 50 ppm)
Possibility of reloading current value	▪ (2108H)

Volt-free contact

Slow counting input (In.L)	40 Hz TOFF: 12 ms min TON: 12 ms min Current output: 52 µA max Leakage current in OFF state 0.2 µA max Residual voltage: 0.4 V max Volt-free contact or transistor NPN open collector
High-speed input (In.H)	7 kHz max TOFF: 70 µs min TON: 70 µs min Level 0: 0 to 1 VDC Level 1: 4 to 30 VDC Current consumption: 6 mA max at 24 VDC
Reset to zero	Volt-free contact or transistor NPN open collector: 12 ms min (2108) 100 ms min (2108)
Reset via	Front panel
Radiated field	IEC 1000-4-3, level 3, 10 V/ M 26 MHz to 1 GHz
fast transients	IEC 1000-4-4, level 3, 1KV
Damped oscillatory wave	IEC 255.4, level 3, 1 KV
Electrostatic discharge	IEC 1000-4-2, level 3, 8 KV

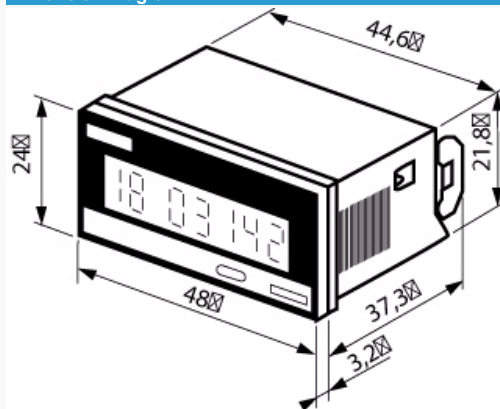
Material

Connection by screw terminals at rear of casing	5 terminals
Connection capacity	2 x 1.5 mm ²
Mounting	By bracket
Degree of protection front face	IP 66
Operating temperature range (°C)	0 →+55
Storage temperature range (°C)	-25 →+70
Conformity to standards VDE 0110 - ICE 664 - ICE 348 - ICE 255.4 - ICE 255.5 - ICE 801.2- ICE 801.4	▪
Weight (g)	60

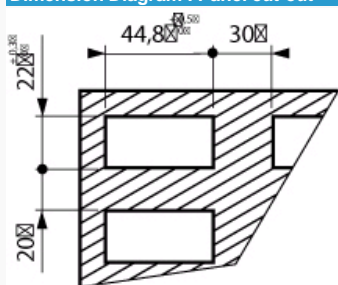
1 lithium battery - Life (years)

Accessories	Code
Adaptor for cut-out Ø 50 (dimensions Ø 73 mm)	26546829
Adaptor for cut-out 45 x 45 mm (dimensions 52 x 52 mm)	26546830

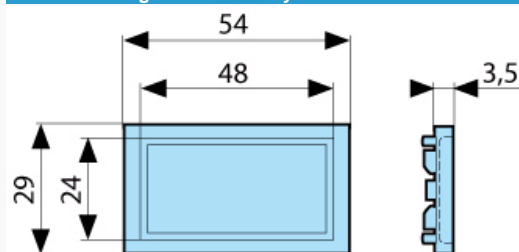
Dimension Diagram :



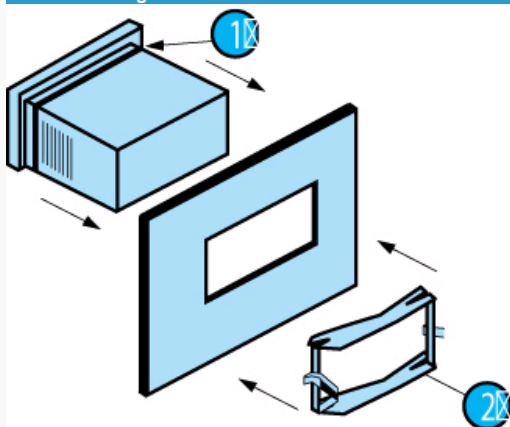
Dimension Diagram : Panel cut-out



Dimension Diagram : Accessory 2108 - 2108H

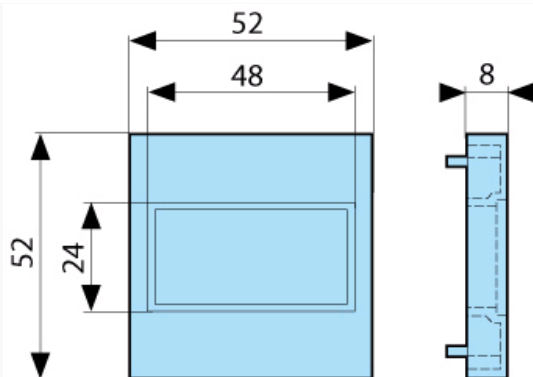


Dimension Diagram :

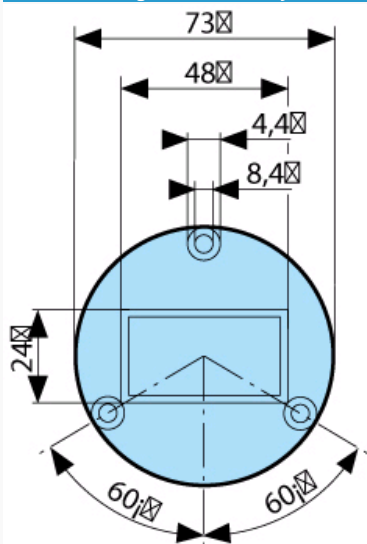


N°	Legend
1	Seal
2	Fixing bracket

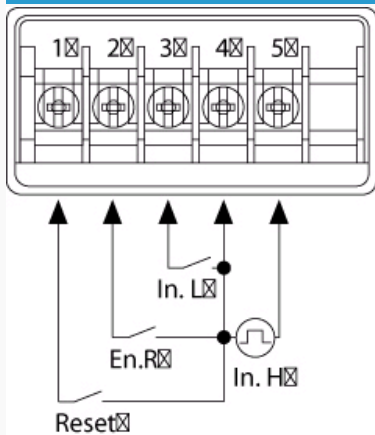
Dimension Diagram : Accessory 2108 - 2108H



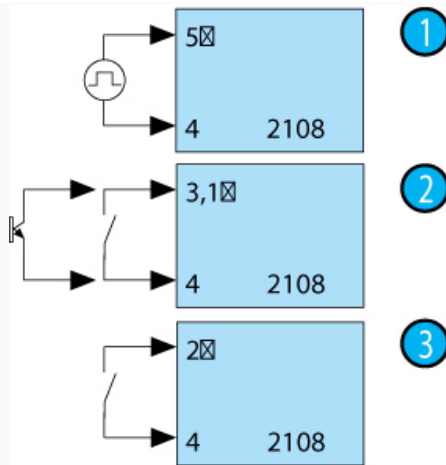
Dimension Diagram : Accessory 2108 - 2108H



: 2108



N°	Legend
1	Reset input
2	Enable reset
3	Slow counting
4	0V
5	High-speed counting



N°	Legend
1	High-speed counting input
2	Slow counting input and reset
3	Enable reset input