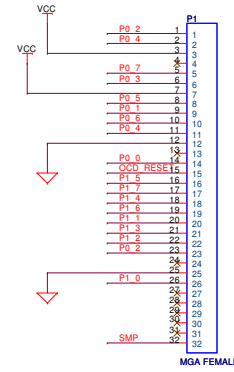
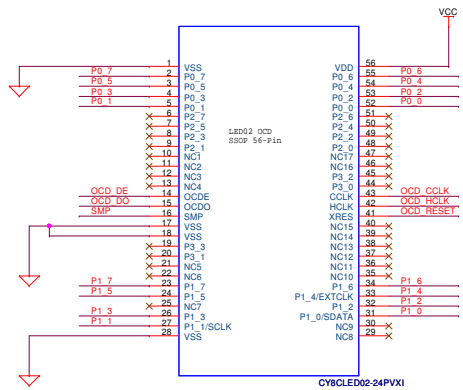
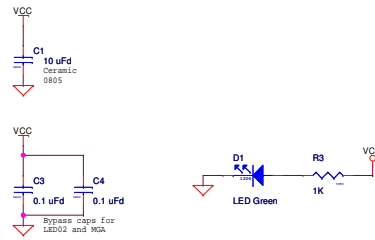
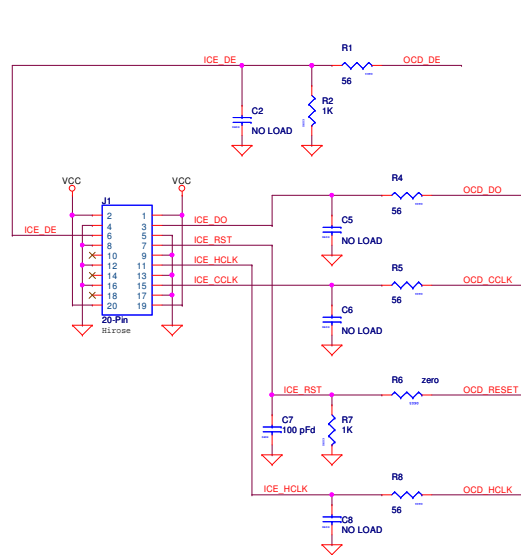


### LED02 NON-QFN POD Schematic



MGA used on this assembly has only 24 positions, PCB lands can accept 32 position MGA.



PCB: PDCR-9323 \*\*  
PCA: 121R-32401 \*\*

CYPRESS SEMICONDUCTOR © 2005			
Title	LED02 Non-QFN POD		
Size	Document Number	Rev	0.1
C	REF-XXXXX		
Date:	Monday, March 03, 2008	Sheet	1 of 1