

General Description

The DSC612PL2A-0130 is a two-output low power MEMS clock generator.

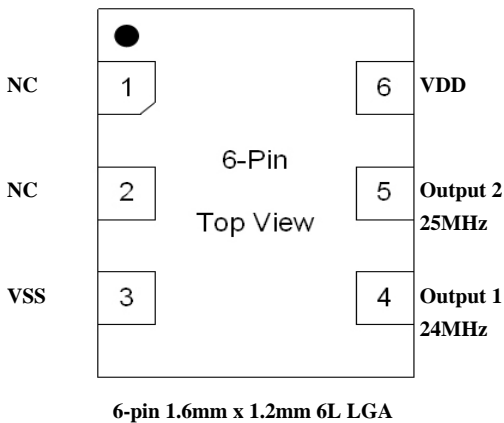
The MEMS based clock generator eliminates the need of external crystal or reference clock.

Refer to [DSC612 master data sheet](#) to read full descriptions.

Features

- Two LVCMOS clock outputs: 24MHz, 25MHz
- Ultra-small package size: 1.6mm x 1.2mm 6L LGA
- High stability: ± 25 ppm
- Temperature range: -40°C to $+105^{\circ}\text{C}$
- Low power consumption: $\sim 5\text{mA}$ (both outputs active)
- Wide supply voltage range: 1.71V -3.63V VDD
- Excellent shock and vibration immunity
- High reliability
- Lead free and RoHS compliant
- AEC-Q100 automotive grade available

Pin Configuration and Description



| Pin Number | Pin Name | Pin Type | Pin Description |
|------------|----------|----------|--------------------------------|
| 1 | NC | I | Non-functional, do not connect |
| 2 | NC | I | Non-functional, do not connect |
| 3 | VSS | Power | Power Supply Ground |
| 4 | Output 1 | O | 24MHz LVCMOS Clock Output |
| 5 | Output 2 | O | 25MHz LVCMOS Clock Output |
| 6 | VDD | Power | Power Supply |

ClockWorks is a registered trademark of Microchip Technology Inc.

Ordering Information

| Ordering Part Number | Temperature Range | High Stability | Shipping | Package |
|----------------------|-------------------|----------------|---------------|----------------------|
| DSC612PL2A-0130 | -40°C to +105°C | ±25ppm | Bag | 1.6mm x 1.2mm 6L LGA |
| DSC612PL2A-0130T | -40°C to +105°C | ±25ppm | Tape and Reel | 1.6mm x 1.2mm 6L LGA |

Devices are Green and RoHS compliant. Sample material may have only a partial top mark.

Microchip makes no representations or warranties with respect to the accuracy or completeness of the information furnished in this data sheet. This information is not intended as a warranty and Microchip does not assume responsibility for its use. Microchip reserves the right to change circuitry, specifications and descriptions at any time without notice. No license, whether express, implied, arising by estoppel or otherwise, to any intellectual property rights is granted by this document. Except as provided in Microchip's terms and conditions of sale for such products, Microchip assumes no liability whatsoever, and Microchip disclaims any express or implied warranty relating to the sale and/or use of Microchip products including liability or warranties relating to fitness for a particular purpose, merchantability, or infringement of any patent, copyright or other intellectual property right.

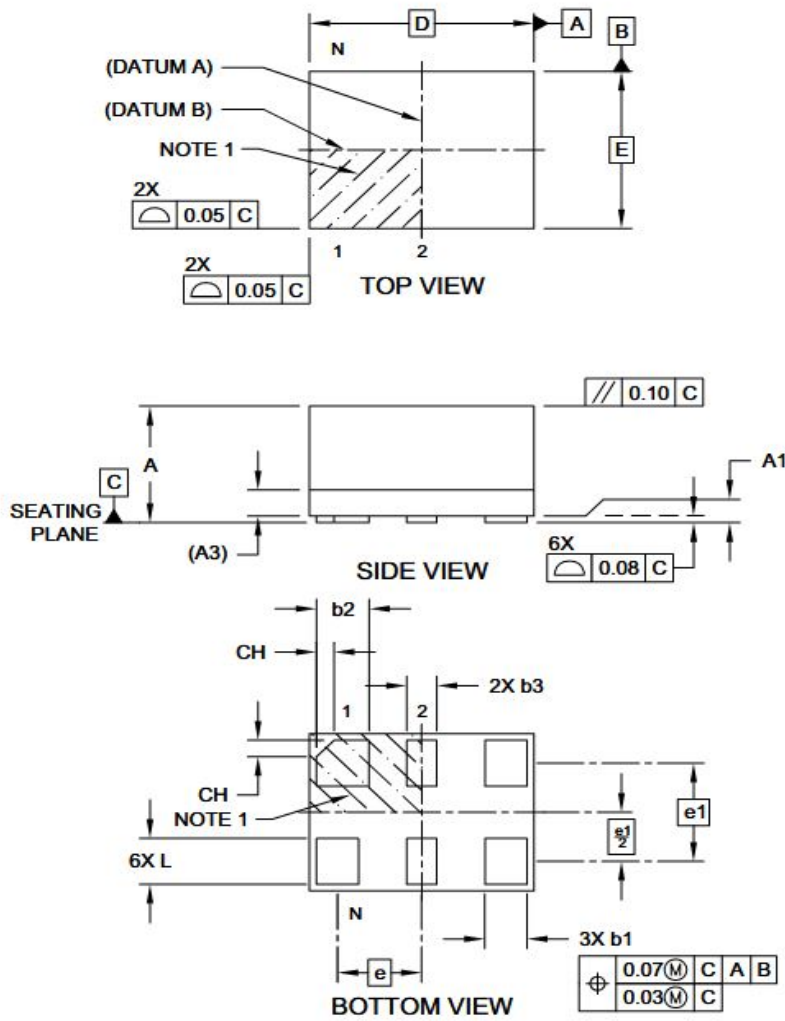
Microchip products are not designed or authorized for use as components in life support appliances, devices or systems where malfunction of a product can reasonably be expected to result in personal injury. Life support devices or systems are devices or systems that (a) are intended for surgical implant into the body or (b) support or sustain life, and whose failure to perform can be reasonably expected to result in a significant injury to the user. A Purchaser's use or sale of Microchip Products for use in life support appliances, devices or systems is a Purchaser's own risk and Purchaser agrees to fully indemnify Microchip for any damages resulting from such use or sale.

© 2018 Microchip Technology Inc.

6-Lead 1.6 mm x 1.2 mm VFLGA Package Outline and Recommended Land Pattern

6-Lead Very Thin Fine Pitch Land Grid Array (AVA) - 1.6x1.2 mm Body [VFLGA]

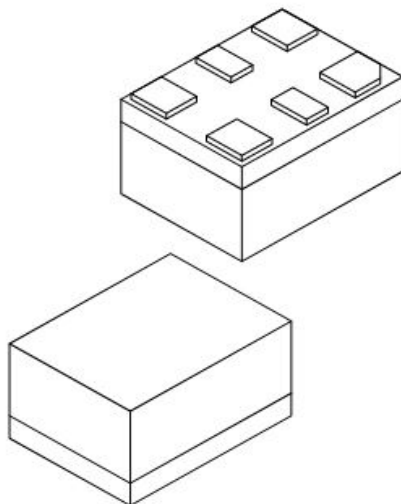
Note: For the most current package drawings, please see the Microchip Packaging Specification located at <http://www.microchip.com/packaging>



Microchip Technology Drawing C04-1203A Sheet 1 of 2

6-Lead Very Thin Fine Pitch Land Grid Array (AVA) - 1.6x1.2 mm Body [VFLGA]

Note: For the most current package drawings, please see the Microchip Packaging Specification located at <http://www.microchip.com/packaging>



| Dimension Limits | Units | MILLIMETERS | | |
|--------------------------------------|-------|-------------|-------|-------|
| | | MIN | NOM | MAX |
| Number of Terminals | N | 6 | | |
| Terminal Pitch | e | 0.60 BSC | | |
| Terminal Pitch | e1 | 0.75 BSC | | |
| Overall Height | A | 0.79 | 0.84 | 0.89 |
| Standoff | A1 | 0.00 | 0.02 | 0.05 |
| Substrate Thickness (with Terminals) | A3 | 0.20 REF | | |
| Overall Length | D | 1.60 BSC | | |
| Overall Width | E | 1.20 BSC | | |
| Terminal Width | b1 | 0.25 | 0.30 | 0.35 |
| Terminal Width | b2 | 0.325 | 0.375 | 0.425 |
| Terminal Width | b3 | 0.20 | 0.25 | 0.30 |
| Terminal Length | L | 0.30 | 0.35 | 0.40 |
| Terminal 1 Index Chamfer | CH | - | 0.125 | - |

Notes:

- Pin 1 visual index feature may vary, but must be located within the hatched area.
- Package is saw singulated
- Dimensioning and tolerancing per ASME Y14.5M

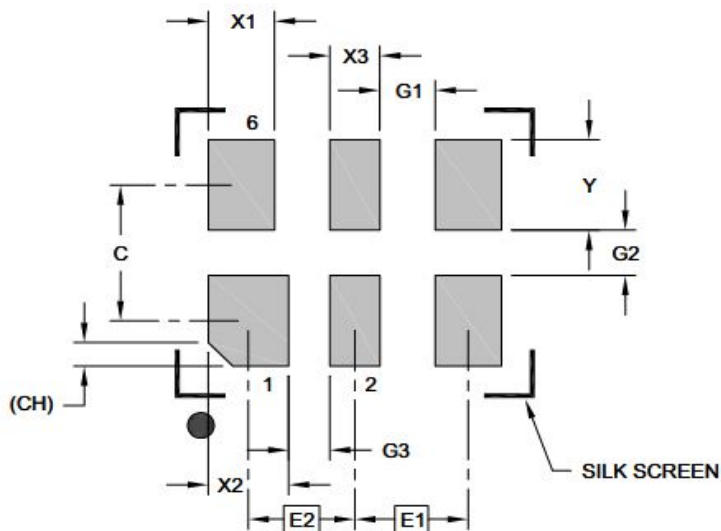
BSC: Basic Dimension. Theoretically exact value shown without tolerances.

REF: Reference Dimension, usually without tolerance, for information purposes only.

Microchip Technology Drawing C04-1203A Sheet 2 of 2

6-Lead Very Thin Fine Pitch Land Grid Array (AVA) - 1.6x1.2 mm Body [VFLGA]

Note: For the most current package drawings, please see the Microchip Packaging Specification located at <http://www.microchip.com/packaging>



RECOMMENDED LAND PATTERN

| Dimension Limits | Units | MILLIMETERS | | |
|-----------------------------|-------|----------------|----------|------|
| | | MIN | NOM | MAX |
| Contact Pitch (X3) | E1 | | 0.60 BSC | |
| Contact Pitch | E2 | | 0.56 BSC | |
| Contact Spacing | C | | 0.75 | |
| Contact Width (X3) | X1 | | | 0.35 |
| Contact Width | X2 | | | 0.43 |
| Contact Width (X2) | X3 | | | 0.27 |
| Contact Pad Length (X6) | Y | | | 0.50 |
| Space Between Contacts (X4) | G1 | 0.29 | | |
| Space Between Contacts (X3) | G2 | 0.25 | | |
| Space Between Contacts | G3 | 0.22 | | |
| Contact 1 Index Chamfer | CH | 0.13 X 45° REF | | |

Notes:

1. Dimensioning and tolerancing per ASME Y14.5M

BSC: Basic Dimension. Theoretically exact value shown without tolerances.

Microchip Technology Drawing C04-3203A