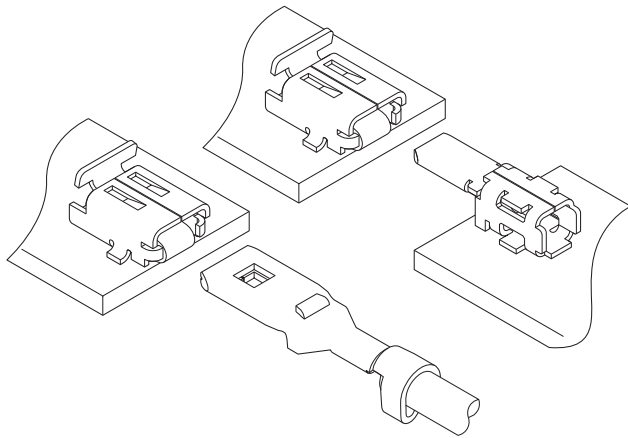


# LEK CONNECTOR

Board-to-board connectors



**This LEK connector is board-to-board connector that does not use the housing and has a positive lock. This enables to absorb misalignment when mating connector.**

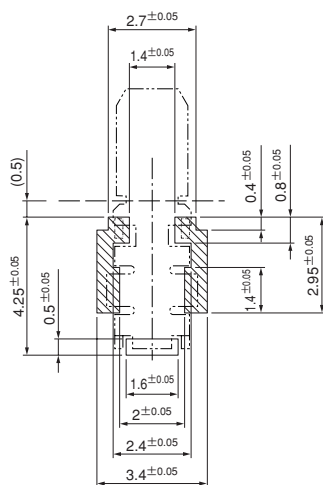
- Secure locking structure
- Absorbing misalignment

## Specifications

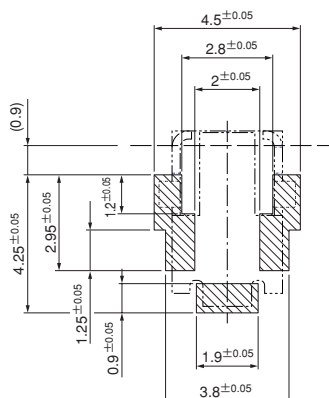
- Current rating: 3 A AC, DC
  - Temperature range: -55°C to +85°C  
(including temperature rise in applying electrical current)
  - Contact resistance: Initial value/ 20 mΩ max.  
After environmental tests/ 30 mΩ max.
  - Applicable wire: Conductor/ AWG #26 to #22  
Insulation O.D./ 1.0 to 1.6 mm
- \* In using the products, refer to "Handling Precaution for Terminal and Connector" described on our website (Technical documents of Product information page).
- \* Contact JST for details.
- \* RoHS2 compliance

## PC board layout and Assembly layout

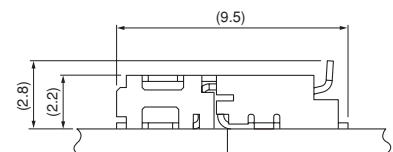
Plug



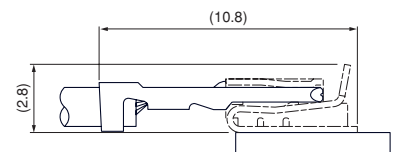
Receptacle



Board-to-board



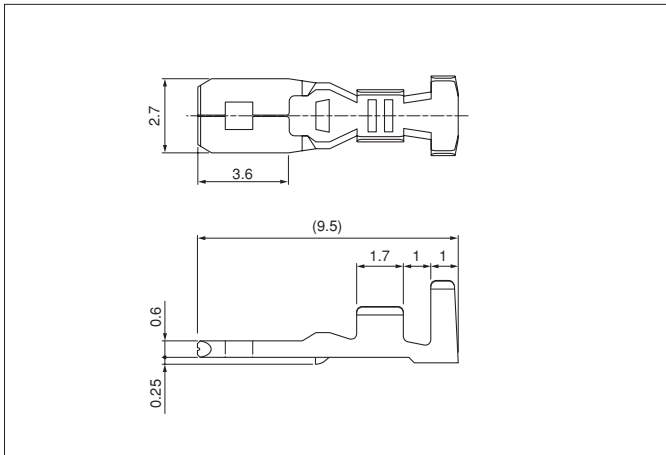
Wire-to-board



Note: The above figure is the figure viewed from the connector mounting side.

# LEK CONNECTOR

## Contact



Model No.	Applicable wire		Insulation O.D. (mm)	Q'ty/reel
	mm <sup>2</sup>	AWG #		
<b>SLEKH-001T-P0.6</b>	0.13~0.33	26~22	1.0~1.6	7,000

Material and Finish
Phosphor bronze, tin-plated

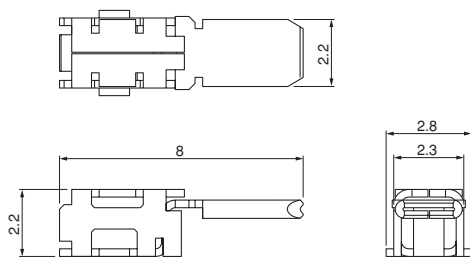
**RoHS2 compliance**

Contact	Crimping machine	Applicator		
		Crimp applicator	Dies	Crimp applicator with dies
<b>SLEKH-001T-P0.6</b>	AP-K2N	MKS-L	MK/SLEKH-001-06	APLMK SLEKH001-06
			-	-

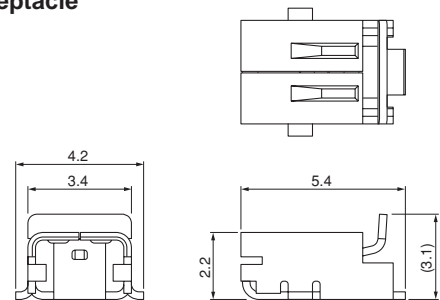
Note: Contact JST for fully automatic crimping applicator.

## Connector

### Plug



### Receptacle



Model No.	Q'ty/reel
<b>LEK-01PS-2RPT-TL</b>	4,500
Material and Finish	
Phosphor bronze, tin-plated	

**RoHS2 compliance**

Model No.	Q'ty/reel
<b>LEK-01RS-2RPT-TL</b>	3,500
Material and Finish	
Phosphor bronze, tin-plated	

**RoHS2 compliance**