

# NHD-C24064WO-ATFH#-3V3

## COG (Chip-On-Glass) Liquid Crystal Display Module

NHD-	Newhaven Display
C24064-	240 x 64 Pixels
WO-	Model
A-	Transflective
T-	White LED Backlight
F-	FSTN Positive
H-	6:00 Optimal View, Wide Temperature
3V3-	3.3V LCD, 3.5V Backlight

**RoHS Compliant**

**Newhaven Display International, Inc.**

2661 Galvin Ct.

Elgin IL, 60124

Ph: 847-844-8795

Fax: 847-844-8796

[www.newhavendisplay.com](http://www.newhavendisplay.com)

[nhtech@newhavendisplay.com](mailto:nhtech@newhavendisplay.com)

[nhsales@newhavendisplay.com](mailto:nhsales@newhavendisplay.com)

## Document Revision History

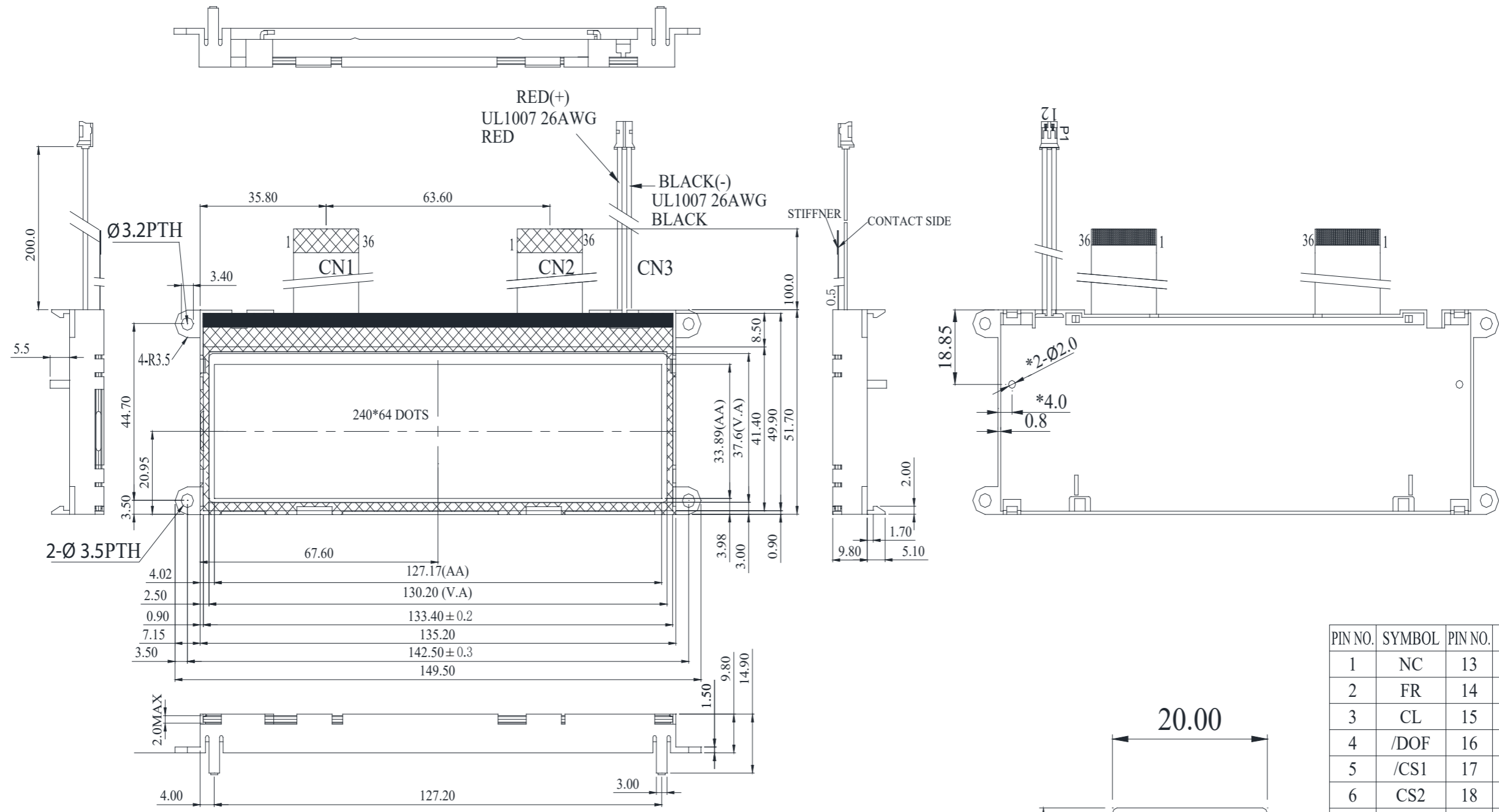
Revision	Date	Description	Changed by
0	5/10/07	Initial Release	-
1	9/23/09	User guide reformat	BE
2	10/08/09	Updated Backlight Information	MC
3	11/20/09	Updated backlight supply current typ.	MC
4	8/26/11	Mechanical Drawing Updated	TJ
5	2/3/12	Controller link updated	AK
6	11/16/12	Electrical characteristics & Wiring diagram updated	AK
7	4/4/13	Backlight mating connector updated	AK
8	2/25/14	Serial interface timing added	AK
10	12/21/16	Electrical Characteristics Updated	SB
11	2/17/17	Backlight Characteristics Updated	SB
12	12/8/20	Part Revision Upgraded to Rev1A	AS

## Functions and Features

- 240 x 64 pixels
- Built-in DUAL ST7565S controllers
- +3.3V power supply
- Parallel/Serial Interface
- RoHS Compliant

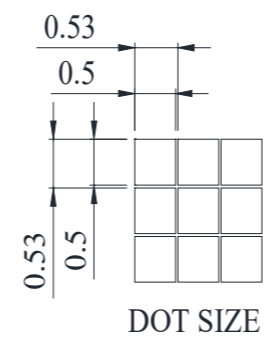
# Mechanical Drawing

SYMBOL	REVISION	DATE



PIN NO.	SYMBOL	PIN NO.	SYMBOL	PIN NO.	SYMBOL
1	NC	13	DB2	25	C2-
2	FR	14	DB3	26	C2+
3	CL	15	DB4	27	V1
4	/DOF	16	DB5	28	V2
5	/CS1	17	DB6	29	V3
6	CS2	18	DB7	30	V4
7	/RES	19	VDD	31	V5
8	A0	20	VSS	32	VR
9	/WR	21	VOUT	33	C86
10	/RD	22	C3-	34	P/S
11	DB0	23	C1+	35	NC
12	DB1	24	C1-	36	NC

- Notes:**
1. Driver: 1/65 Duty
  2. Voltage: 3.3V VDD, 11V VLCD
  3. Display Mode: FSTN Positive / Transflective
  4. Optimal View: 6:00
  5. Backlight: White LED
  6. Driver IC: ST7565S



CN3

PIN NO.	SYMBOL
1	ANODE
2	CATHODE

CN1-MASTER(IC1)  
CN2-SLAVE(IC2)

20.00

12.00

**NEWHAVEN DISPLAY**  
NHD-C24064WO-ATFH#-3V3\_Rev1A  
www.newhavendisplay.com  
datecode  
Made in china

**Standard Tolerance:**  
(Unless otherwise specified)

Linear: ±0.3mm

**NEWHAVEN DISPLAY INTERNATIONAL**

Drawing/Part Number: **NHD-C24064WO-ATFH#-3V3** Revision: 1A

Size: A3

Scale: NS

Drawn By: A. Shah Approved By: A. Shah

Drawn Date: 12/8/2020 Approved Date: 12/8/2020

**Do Not Scale Drawing** Sheet 1 of 1

Unless otherwise specified:  
• Dimensions are in Millimeters  
• Third Angle Projection

This drawing is solely the property of Newhaven Display International, Inc. The information it contains is not to be disclosed, reproduced or copied in whole or part without written approval from Newhaven Display.

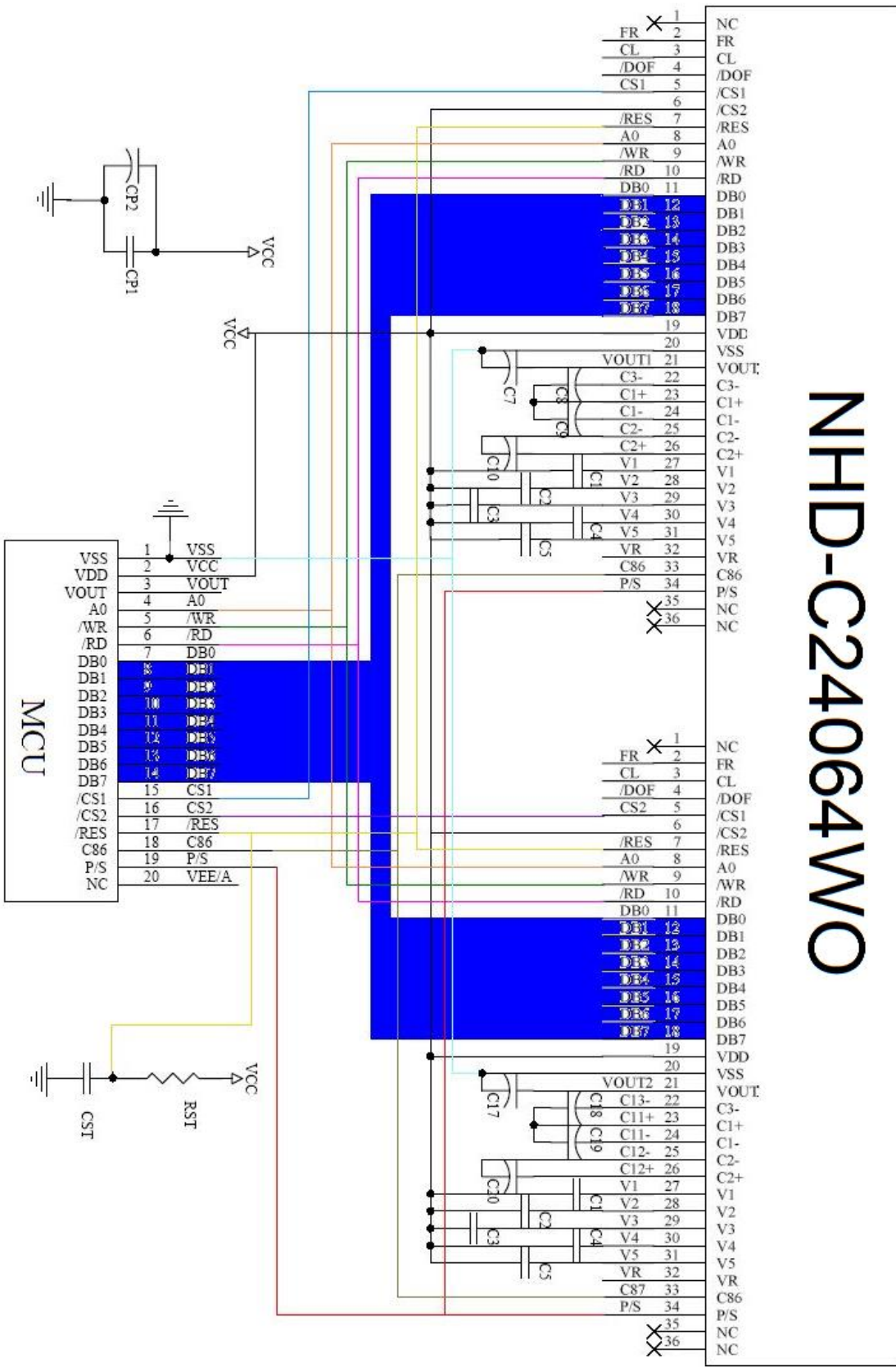
## Pin Description

Pin No.	Symbol	External Connection	Function Description
1	NC	-	No Connect
2	FR	-	Alternating current signal (tie both FR pins together)
3	CL	-	Clock input terminal (tie both CL pins together)
4	/DOF	-	Blanking control output (tie both /DOF pins together)
5	/CS1	MPU	Active LOW Chip Select Signal
6	CS2	MPU	Active HIGH Chip Select Signal (can tie HIGH)
7	/RES	MPU	Active LOW Reset signal
8	A0	MPU	Register Select. 0: Instruction; 1: Data
9	/WR R/W	MPU	In 8080 mode: Active LOW Write signal In 6800 mode: R/W=1 for Read; R/W=0 for Write
10	/RD E	MPU	In 8080 mode: Active LOW Read signal In 6800 mode: Enable signal; Falling edge triggered
11	DB0	MPU	Parallel Interface DB0-DB7: Bi-directional 8-bit data bus  Serial Interface: DB0-DB5: No connect in serial mode  DB6 = Serial clock DB7 = Serial data input
12	DB1		
13	DB2		
14	DB3		
15	DB4		
16	DB5		
17	DB6 (SCL)		
18	DB7 (SI)		
19	V <sub>DD</sub>	Power Supply	Supply Voltage for Logic (3.3V)
20	V <sub>SS</sub>	Power Supply	Ground
21	V <sub>OUT</sub>	Power Supply	1.0uF Cap to Ground
22	C3-	Power Supply	1.0uF-2.2uF cap to C1+ (Pin-23)
23	C1+	Power Supply	1.0uF-2.2uF cap to C3- (Pin-22) and C1- (Pin-24)
24	C1-	Power Supply	1.0uF-2.2uF cap to C1+ (Pin-23)
25	C2-	Power Supply	1.0uF-2.2uF cap to C2+ (Pin-26)
26	C2+	Power Supply	1.0uF-2.2uF cap to C2-(Pin-25)
27	V1	Power Supply	1.0uF-2.2uF cap to VDD
28	V2	Power Supply	1.0uF-2.2uF cap to VDD
29	V3	Power Supply	1.0uF-2.2uF cap to VDD
30	V4	Power Supply	1.0uF-2.2uF cap to VDD
31	V5	Power Supply	1.0uF-2.2uF cap to VDD
32	VR	-	No connection
33	C86	MPU	Select MPU interface pin. C86 = H: 6800; C86 = L: 8080
34	P/S	MPU	Parallel/Serial select. PS = H: Parallel; PS = L: Serial
35	NC	-	No connection
36	NC	-	No connection

**Recommended LCD connectors:** 0.5mm pitch pins. Molex p/n: 54132-3697

**Backlight connector:** A2001H-02P      **Mates with:** A2001WR-2P, A2001WR-S-2P, A2001WV-2P, A2001WV-S-2P

# Wiring Diagram



NHD-C24064W0

## Electrical Characteristics

Item	Symbol	Condition	Min.	Typ.	Max.	Unit
Operating Temperature Range	T <sub>OP</sub>	Absolute Max	-20	-	+70	°C
Storage Temperature Range	T <sub>ST</sub>	Absolute Max	-30	-	+80	°C
Supply Voltage	V <sub>DD</sub>	-	3.0	3.3	3.6	V
Supply Current	I <sub>DD</sub>	V <sub>DD</sub> = 3.3V T <sub>OP</sub> = 25°C	0.5	1.5	2.5	mA
Supply for LCD (contrast)	V <sub>LCD</sub>		10.6	11	11.4	V
"H" Level input	V <sub>IH</sub>	-	0.8 * V <sub>DD</sub>	-	V <sub>DD</sub>	V
"L" Level input	V <sub>IL</sub>	-	V <sub>SS</sub>	-	0.2 * V <sub>DD</sub>	V
"H" Level output	V <sub>OH</sub>	-	0.8 * V <sub>DD</sub>	-	V <sub>DD</sub>	V
"L" Level output	V <sub>OL</sub>	-	V <sub>SS</sub>	-	0.2 * V <sub>DD</sub>	V
Backlight Supply Voltage	V <sub>LED</sub>	I <sub>LED</sub> = 110mA	3.4	3.5	3.6	V
Backlight Supply current	I <sub>LED</sub>	-	35	112	140	mA

## Optical Characteristics

Item	Symbol	Condition	Min.	Typ.	Max.	Unit
Optimal Viewing Angles	Top	CR ≥ 2	-	30	-	°
	Bottom		-	60	-	°
	Left		-	45	-	°
	Right		-	45	-	°
Contrast Ratio	CR	-	-	5	-	-
Response Time	Rise	T <sub>OP</sub> = 25°C	-	200	300	ms
	Fall		-	250	350	ms

## Controller Information

Built-in ST7565S controller.

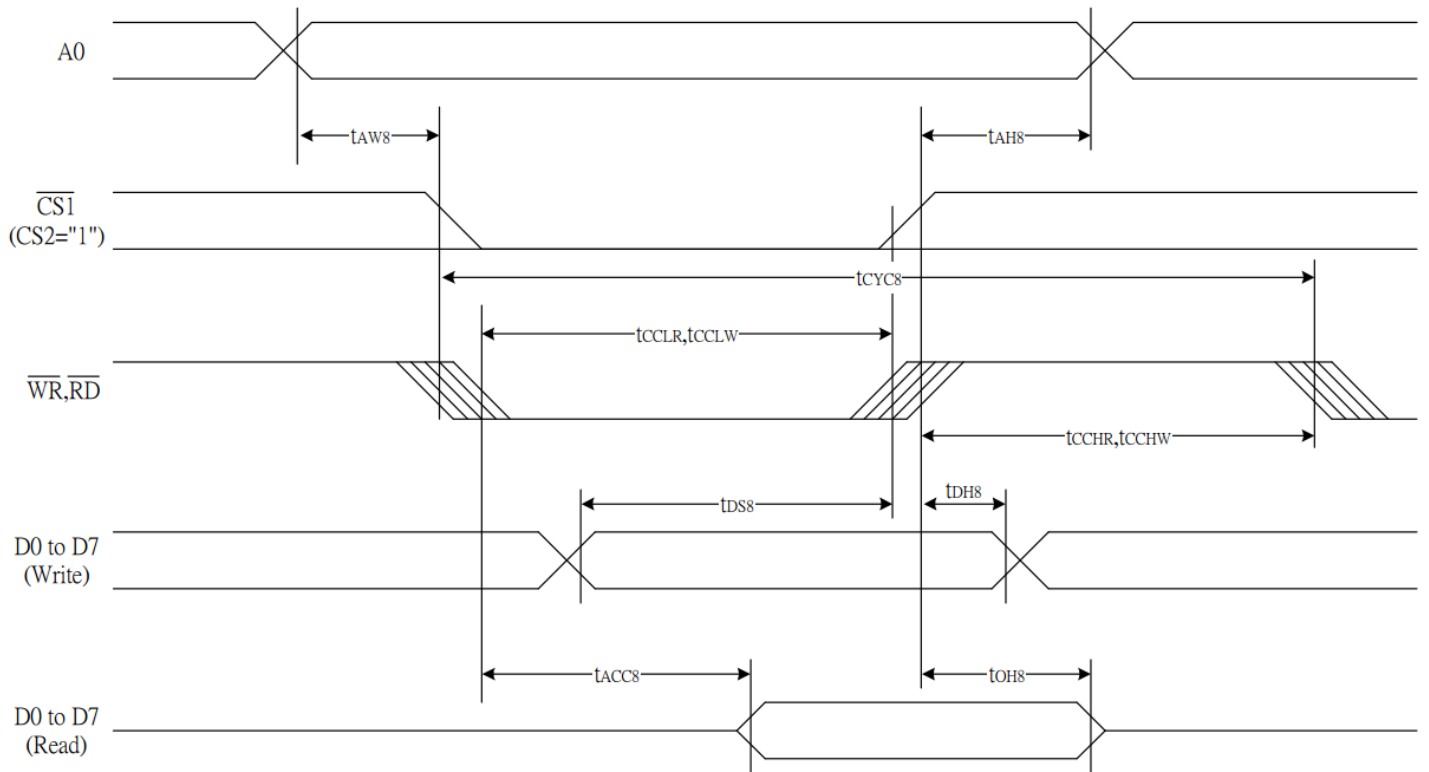
Please download specification at [http://www.newhavendisplay.com/app\\_notes/ST7565S.pdf](http://www.newhavendisplay.com/app_notes/ST7565S.pdf)

## Table of Commands

Command	Command Code								Function					
	A0	/RD	/WR	D7	D6	D5	D4	D3		D2	D1	D0		
(1) Display ON/OFF	0	1	0	1	0	1	0	1	1	1	0	1	LCD display ON/OFF 0: OFF, 1: ON	
(2) Display start line set	0	1	0	0	1	Display start address					Sets the display RAM display start line address			
(3) Page address set	0	1	0	1	0	1	1	Page address				Sets the display RAM page address		
(4) Column address set upper bit	0	1	0	0	0	0	1	Most significant column address				Sets the most significant 4 bits of the display RAM column address. Sets the least significant 4 bits of the display RAM column address.		
Column address set lower bit	0	1	0	0	0	0	0	Least significant column address						
(5) Status read	0	0	1	Status				0	0	0	0	0	Reads the status data	
(6) Display data write	1	1	0	Write data								Writes to the display RAM		
(7) Display data read	1	0	1	Read data								Reads from the display RAM		
(8) ADC select	0	1	0	1	0	1	0	0	0	0	0	0	1	Sets the display RAM address SEG output correspondence 0: normal, 1: reverse
(9) Display normal/reverse	0	1	0	1	0	1	0	0	1	1	0	0	1	Sets the LCD display normal/reverse 0: normal, 1: reverse
(10) Display all points ON/OFF	0	1	0	1	0	1	0	0	1	0	0	0	1	Display all points 0: normal display 1: all points ON
(11) LCD bias set	0	1	0	1	0	1	0	0	0	1	0	0	1	Sets the LCD drive voltage bias ratio 0: 1/9 bias, 1: 1/7 bias (ST7565S)
(12) Read/modify/write	0	1	0	1	1	1	0	0	0	0	0	0	0	Column address increment At write: +1 At read: 0
(13) End	0	1	0	1	1	1	0	1	1	1	0	Clear read/modify/write		
(14) Reset	0	1	0	1	1	1	0	0	0	0	1	Internal reset		
(15) Common output mode select	0	1	0	1	1	0	0	0	*	*	*	Select COM output scan direction 0: normal direction 1: reverse direction		
(16) Power control set	0	1	0	0	0	1	0	1	Operating mode			Select internal power supply operating mode		
(17) V <sub>s</sub> voltage regulator internal resistor ratio set	0	1	0	0	0	1	0	0	Resistor ratio			Select internal resistor ratio(Rb/Ra) mode		
(18) Electronic volume mode set Electronic volume register set	0	1	0	1	0	0	0	0	0	0	0	0	1	Set the V <sub>s</sub> output voltage electronic volume register
(19) Static indicator ON/OFF Static indicator register set	0	1	0	1	0	1	0	1	1	0	0	0	1	0: OFF, 1: ON Set the flashing mode
(20) Booster ratio set	0	1	0	1	1	1	1	1	0	0	0	select booster ratio 00: 2x,3x,4x 01: 5x 11: 6x		
(21) Power saver													Display OFF and display all points ON compound command	
(22) NOP	0	1	0	1	1	1	0	0	0	0	1	Command for non-operation		
(23) Test	0	1	0	1	1	1	1	*	*	*	*	Command for IC test. Do not use this command		

# Timing Characteristics

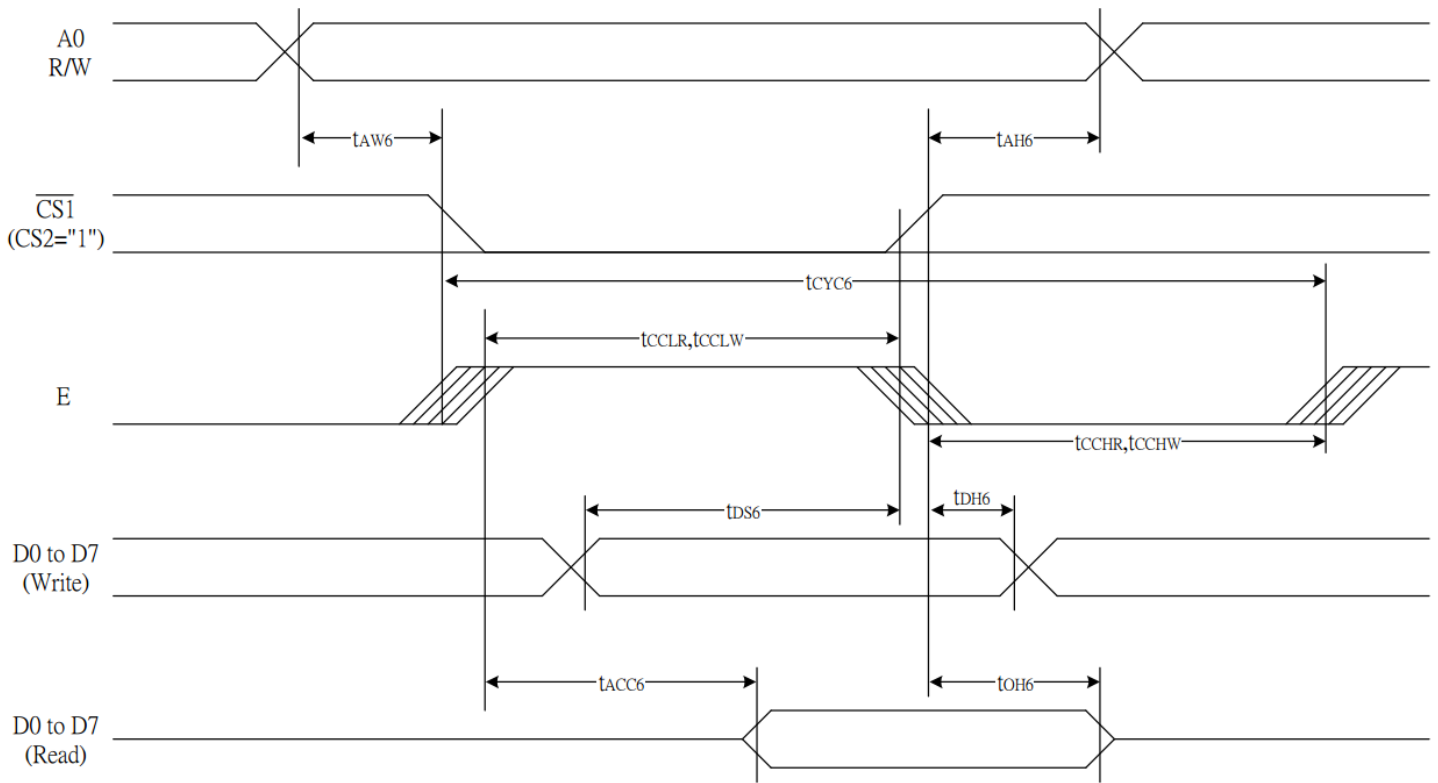
## 8080 Series MPU



Item	Signal	Symbol	Condition	Rating		Units
				Min.	Max.	
Address hold time	A0	tAH8		0	—	Ns
Address setup time		tAW8		0	—	
System cycle time		tCYC8		240	—	
Enable L pulse width (WRITE)	WR	tCCLW		80	—	
Enable H pulse width (WRITE)		tCCHW		80	—	
Enable L pulse width (READ)	RD	tCCLR		140	—	
Enable H pulse width (READ)		tCCHR		80	—	
WRITE Data setup time	D0 to D7	tDSS		40	—	
WRITE Address hold time		tDH8		10	—	
READ access time		tACC8	CL = 100 pF	—	70	
READ Output disable time		tOH8	CL = 100 pF	5	50	

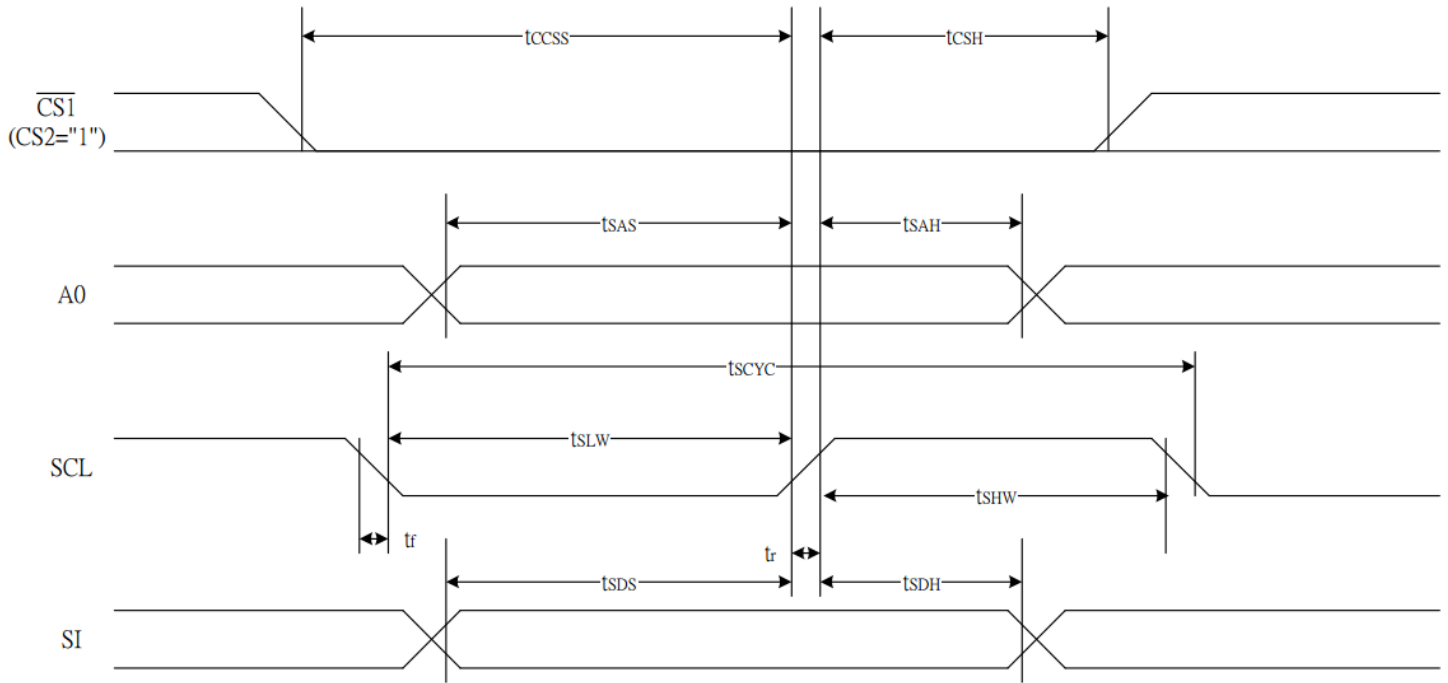


## 6800 Series MPU



Item	Signal	Symbol	Condition	Rating		Units
				Min.	Max.	
Address hold time	A0	$t_{AH6}$		0	—	ns
Address setup time		$t_{AW6}$		0	—	
System cycle time		$t_{CYC6}$		240	—	
Enable L pulse width (WRITE)	WR	$t_{EHLW}$		80	—	
Enable H pulse width (WRITE)		$t_{EHHW}$		80	—	
Enable L pulse width (READ)	RD	$t_{EHLR}$		80	—	
Enable H pulse width (READ)		$t_{EHLR}$		140	—	
WRITE Data setup time	D0 to D7	$t_{DS6}$		40	—	
WRITE Address hold time		$t_{DH6}$		10	—	
READ access time		$t_{ACC6}$	$C_L = 100 \text{ pF}$	—	70	
READ Output disable time		$t_{OH6}$	$C_L = 100 \text{ pF}$	5	50	

## Serial Interface



Item	Signal	Symbol	Condition	Rating		Units
				Min.	Max.	
Serial Clock Period	SCL	$T_{scyc}$		50	—	ns
SCL "H" pulse width		$T_{shw}$		25	—	
SCL "L" pulse width		$T_{slw}$		25	—	
Address setup time	A0	$T_{sas}$		20	—	
Address hold time		$T_{sah}$		10	—	
Data setup time	SI	$T_{sds}$		20	—	
Data hold time		$T_{sdh}$		10	—	
CS-SCL time	CS	$T_{css}$		20	—	
CS-SCL time		$T_{csh}$		40	—	

## Example Initialization Program

```
/******NHD-C24064WO******/
void init()
{
    command_master(0xA2);           //1/9 bias
    command_master(0xA0);           //ADC segment driver direction (A0=Normal)
    command_master(0xC8);           //Com output reverse
    command_master(0xA4);           //Display all points normal
    command_master(0x40);           //Display Start line set
    command_master(0x25);           //Internal resistor ratio
    command_master(0x81);           //Electronic volume mode set
    command_master(0x10);           //Electronic Volume
    command_master(0x2F);           //Power controller set
    command_master(0xAF);           //Display on

    command_slave(0xA2);            //1/9 bias
    command_slave(0xA0);            //ADC segment driver direction (A0=Normal)
    command_slave(0xC8);            //Com output reverse
    command_slave(0xA4);            //Display all points normal
    command_slave(0x40);            //Display Start line set
    command_slave(0x25);            //Internal resistor ratio
    command_slave(0x81);            //Electronic volume mode set
    command_slave(0x10);            //Electronic Volume
    command_slave(0x2F);            //Power controller set
    command_slave(0xAF);            //Display on
}

/*******/
void command_master(unsigned int c)
{
    CS_Master = reset;
    AO = reset;                       //Command   LOW
    WRT = reset;
    P1 = c;
    delay(1);
    WRT = set;
    CS_Master = set;
}

/*******/
void data_master(unsigned int d)
{
    CS_Master = reset;
    AO = set;                           //Data     High
    delay(1);
    WRT = reset;
    P1 = d;
    delay(1);
    WRT = set;
    CS_Master = set;
}

/*******/
```

```
/******  
void commmand_slave(unsigned int c)  
{  
    CS_Slave = reset;  
    AO = reset;                //Command   LOW  
    WRT = reset;  
    P1 = c;  
    delay(1);  
    WRT = set;  
    CS_Slave = set;  
}  
  
/******  
void data_slave(unsigned int d)  
{  
    CS_Slave = reset;  
    AO = set;                  //Data     High  
    delay(1);  
    WRT = reset;  
    P1 = d;  
    delay(1);  
    WRT = set;  
    CS_Slave = set;  
}  
  
/******
```

## Quality Information

Test Item	Content of Test	Test Condition	Note
High Temperature storage	Endurance test applying the high storage temperature for a long time.	+80°C , 200hrs	2
Low Temperature storage	Endurance test applying the low storage temperature for a long time.	-30°C , 200hrs	1,2
High Temperature Operation	Endurance test applying the electric stress (voltage & current) and the high thermal stress for a long time.	+70°C , 200hrs	2
Low Temperature Operation	Endurance test applying the electric stress (voltage & current) and the low thermal stress for a long time.	-20°C , 200hrs	1,2
High Temperature / Humidity Storage	Endurance test applying the electric stress (voltage & current) and the high thermal with high humidity stress for a long time.	+60°C , 90% RH , 96hrs	1,2
Thermal Shock resistance	Endurance test applying the electric stress (voltage & current) during a cycle of low and high thermal stress.	-20°C ← 25°C → 70°C 30min ← 5min → 30min = 1 cycle For 10 cycles	
Vibration test	Endurance test applying vibration to simulate transportation and use.	10-55Hz, 1.5mm amplitude. 60 sec in each of 3 directions X,Y,Z For 15 minutes	3
Static electricity test	Endurance test applying electric static discharge.	Air: ±800V 150pF/330Ω, 5 Times	
		Contact: ±600V 150pF/330Ω, 5 Times	

**Note 1:** No condensation to be observed.

**Note 2:** Conducted after 4 hours of storage at 25°C, 0%RH.

**Note 3:** Test performed on product itself, not inside a container.

## Precautions for using LCDs/LCMs

See Precautions at [www.newhavendisplay.com/specs/precautions.pdf](http://www.newhavendisplay.com/specs/precautions.pdf)

## Warranty Information and Terms & Conditions

[http://www.newhavendisplay.com/index.php?main\\_page=terms](http://www.newhavendisplay.com/index.php?main_page=terms)