

OWR-1340T-38A

Pistonic driver for earphones and earbuds

Receiver targeted for Active Noise Control applications due to its extremely large bandwidth and linearity. Both key parameters achieved by a new "pistonic" diaphragm design.

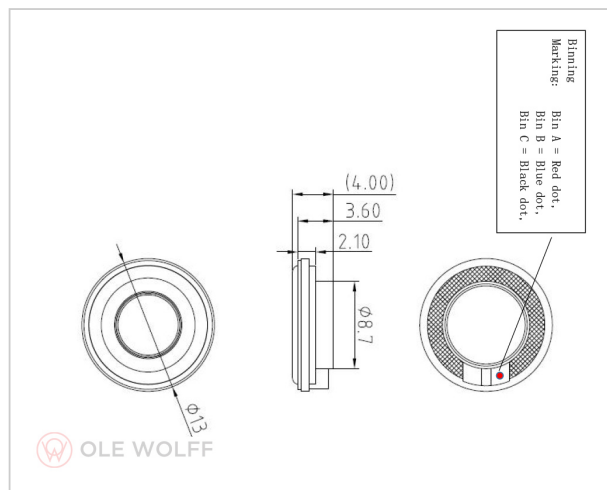


Characteristics

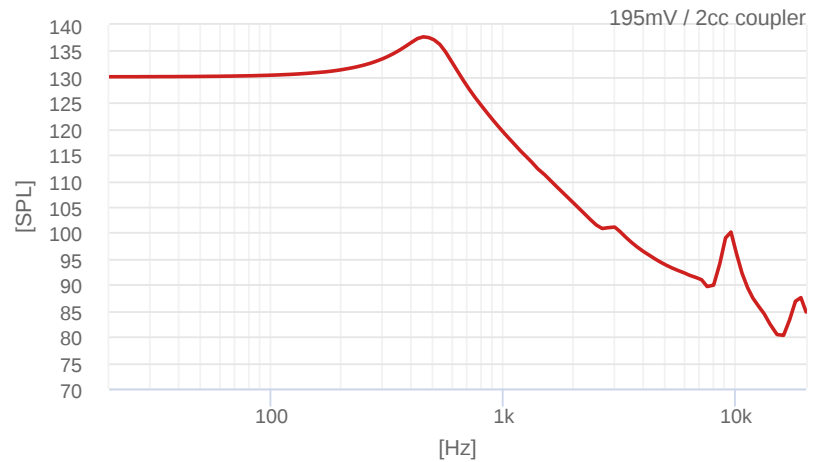
Size (ØxH) [mm]	13.0x3.6	
Sensitivity [dBSPL]	84.0±3dB	[1mW, 1.0 KHz, 1.0 cm, f.f.]
Impedance [Ω]	38	
Power [mW]	2.0 / 5.0	Free field
F0 [Hz]	200	Free field
Termination	Terminals	

Specifications are subject to change without prior notice. Upon request Ole Wolff can supply further specifications, simulation parameters etc.

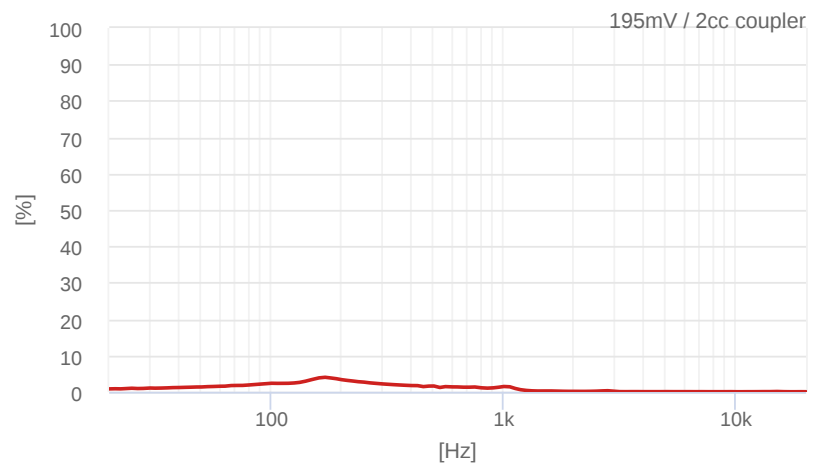
Mecanical drawing



Sound Pressure Level



Total Harmonic Distortion



Impedance

