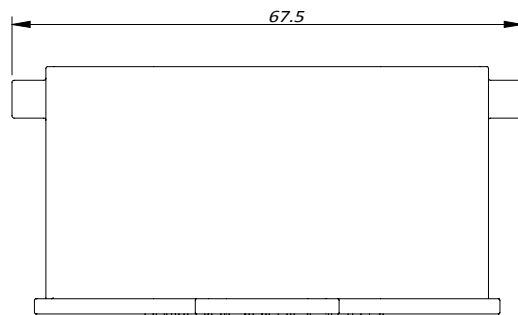
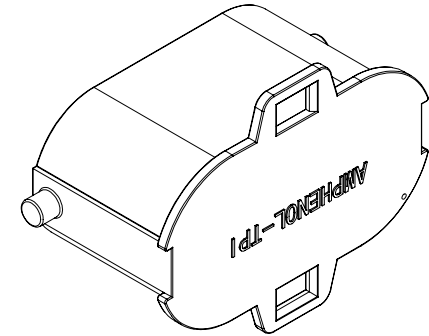
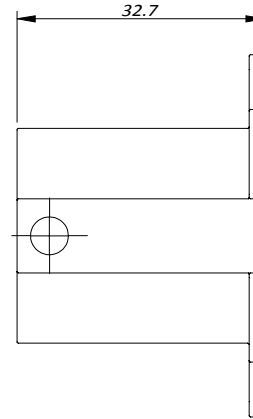
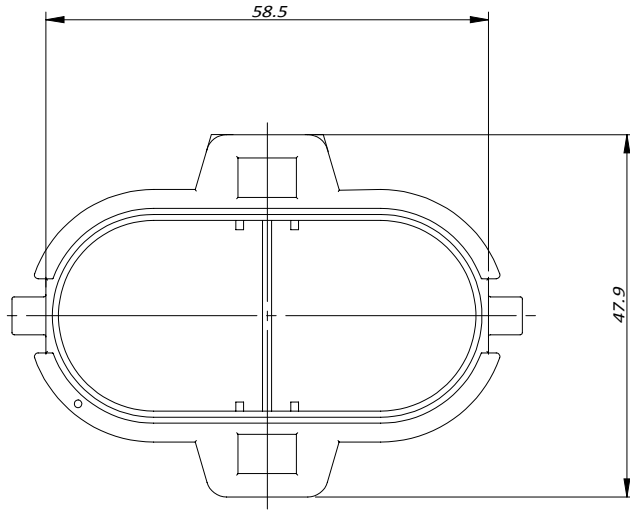


THIS DRAWING IS SUPPLIED FOR INFORMATION ONLY. DESIGN FEATURES, SPECIFICATIONS AND PERFORMANCE DATA SHOWN HEREON ARE THE PROPERTY OF THE AMPHENOL CORPORATION. NO RIGHTS OF REPRODUCTION ARE IMPLIED. ALL DIMENSIONS ARE SUBJECT TO NORMAL MANUFACTURING VARIATIONS.

# CUSTOMER DRAWING

REVISIONS					
REV#	ECN#	REVISION ACTION	REV.BY:	APPR.BY:	DATE
A	--	INITIAL RELEASE	Star	james	07/06/2021



		Amphenol Technical Products International Asia.					<b>PART NAME:</b> 300A,2POS Dust cover for Plug	
		第三角投影 THIRD ANGLE PROJECTION	页面 SHEET	幅面 SIZE	版次 REV.	比例 SCALE		<b>DWG NO:</b> AC-CP001673  <b>MATERIAL SPECIFICATIONS:</b>
签名 SIGNATURE		日期 DATE		<b>UNLESS OTHERWISE SPECIFIED</b> 1) All dimensions are in metric(mm) 2) Tolerances are as follows: 1.PL DEC ± 1.00 2.PL DEC ± 0.50 3.PL DEC ± 0.20		Angles ±1°		
制图 DRAWN	Star	07/06/2021		1 OF 1			A4	A
审核 CHECKED								
批准 APPROVAL								

1 2 3 4 5 6 7 8

A B C D

1 2 3 4 5 6 7 8