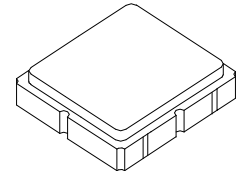


- Ideal for European 433.420 MHz Remote Control and Security Transmitters
- Very Low Series Resistance
- Quartz Stability
- Complies with Directive 2002/95/EC (RoHS)
- Tape and Reel Standard per ANSI/EIA-481



**RO3112D**

**433.420 MHz  
SAW  
Resonator**



**SM3838-6 Case  
3.8 X 3.8**

The RO3112D is a true one-port, surface-acoustic-wave (SAW) resonator in a surface-mount ceramic case. It provides reliable, fundamental-mode, quartz frequency stabilization of fixed-frequency transmitters operating at 433.420 MHz. This SAW is designed specifically for remote control and wireless security transmitters operating in Europe under ETSI I-ETS 300 220.

**Absolute Maximum Ratings**

Rating	Value	Units
Input Power Level	0	dBm
DC Voltage	12	VDC
Storage Temperature	-40 to +85	°C
Soldering Temperature (10 seconds / 5 cycles maximum)	260	°C

**Electrical Characteristics**

Characteristic		Sym	Notes	Minimum	Typical	Maximum	Units
Center Frequency, +25 °C	Absolute Frequency	$f_C$		433.345		433.495	MHz
	Tolerance from 433.420 MHz	$\Delta f_C$				$\pm 75$	kHz
Insertion Loss		IL			1.2	2.5	dB
Quality Factor	Unloaded Q	$Q_U$			8400		
	50 $\Omega$ Loaded Q	$Q_L$			1000		
Temperature Stability	Turnover Temperature	$T_O$		10	25	40	°C
	Turnover Frequency	$f_O$			$f_C$		
	Frequency Temperature Coefficient	FTC			0.032		ppm/°C <sup>2</sup>
Frequency Aging	Absolute Value during the First Year	$ f_A $			$\leq 10$		ppm/yr
DC Insulation Resistance between Any Two Terminals				1.0			M $\Omega$
RF Equivalent RLC Model	Motional Resistance	$R_M$			13.7		$\Omega$
	Motional Inductance	$L_M$			42.2		$\mu H$
	Motional Capacitance	$C_M$			3.2		fF
	Shunt Static Capacitance	$C_O$			3.7		pF
Test Fixture Shunt Inductance		$L_{TEST}$			36.2		nH
Lid Symbolization (in addition to Lot and/or Date Codes)					683, <u>YWWS</u>		
Standard Reel Quantity	Reel Size 7 Inch				500 Pieces/Reel		
	Reel Size 13 Inch				3000 Pieces/Reel		



**CAUTION: Electrostatic Sensitive Device. Observe precautions for handling.**

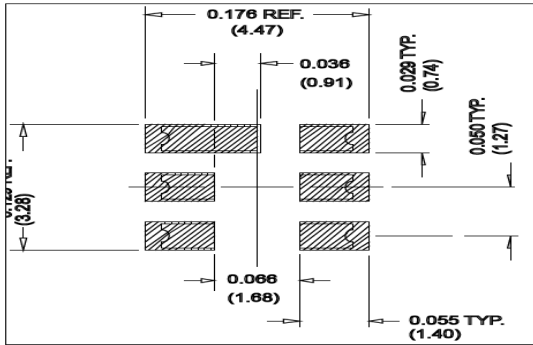
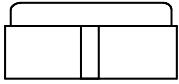
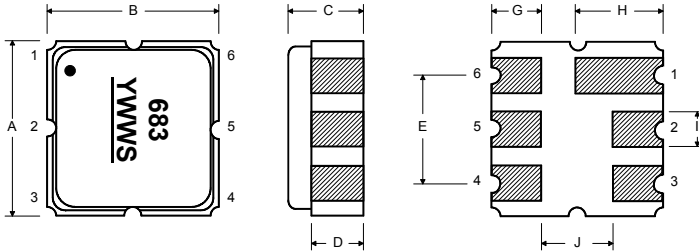
**NOTES:**

1. The design, manufacturing process, and specifications of this device are subject to change.
2. US or International patents may apply.

## Electrical Connections

The SAW resonator is bidirectional and may be installed with either orientation. The two terminals are interchangeable and unnumbered. The callout NC indicates no internal connection. The NC pads assist with mechanical positioning and stability. External grounding of the NC pads is recommended to help reduce parasitic capacitance in the circuit.

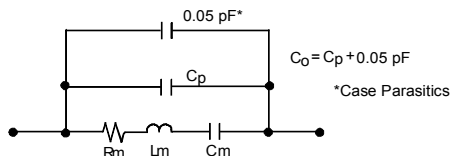
Pin	Connection
1	NC
2	Terminal
3	NC
4	NC
5	NC
6	Terminal
7	NC
8	NC



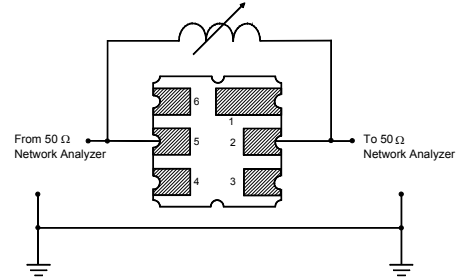
## Case Dimensions

Dimension	mm			Inches		
	Min	Nom	Max	Min	Nom	Max
A	3.60	3.80	4.00	0.142	0.150	0.157
B	3.60	3.80	4.00	0.142	0.150	0.157
C	1.10	1.30	1.50	0.043	0.050	0.060
D	0.95	1.10	1.25	0.037	0.043	0.049
E	2.39	2.54	2.69	0.094	0.100	0.106
G	0.90	1.00	1.10	0.035	0.040	0.043
H	1.90	2.00	2.10	0.748	0.079	0.083
I	0.50	0.60	0.70	0.020	0.024	0.028
J	1.70	1.80	1.90	0.067	0.071	0.075

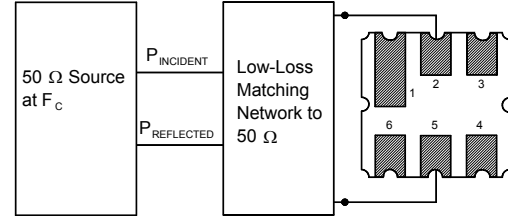
## Equivalent RLC Model



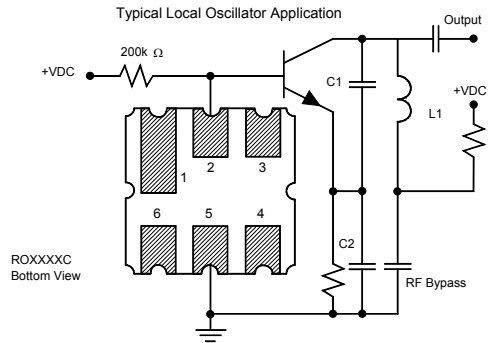
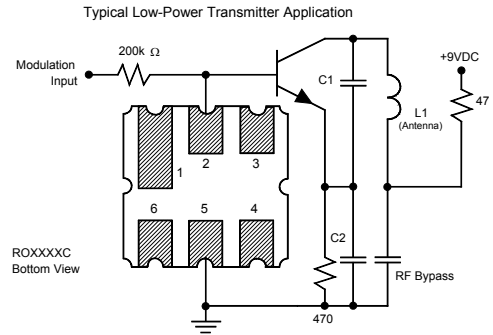
## Parameter Test Circuit



## Power Test Circuit

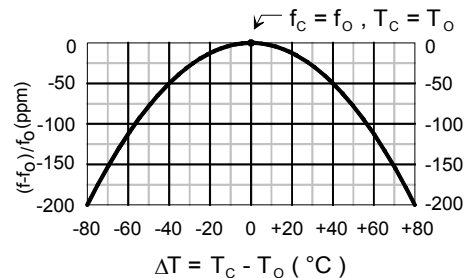


## Example Application Circuits



## Temperature Characteristics

The curve shown on the right accounts for resonator contribution only and does not include LC component temperature contributions.



## Recommended Reflow Profile

1. Preheating shall be fixed at 150~180°C for 60~90 seconds.
2. Ascending time to preheating temperature 150°C shall be 30 seconds min.
3. Heating shall be fixed at 220°C for 50~80 seconds and at 260°C +0/-5°C peak (10 seconds).
4. Time: 5 times maximum.

