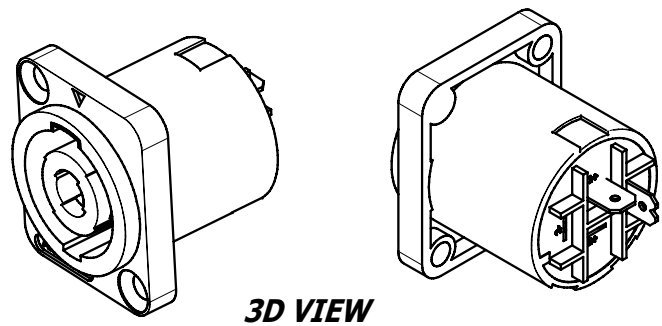
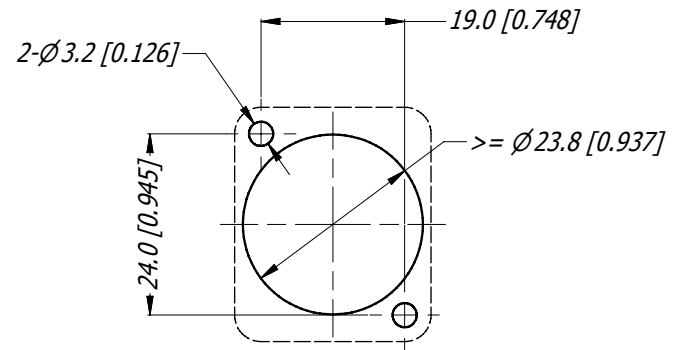
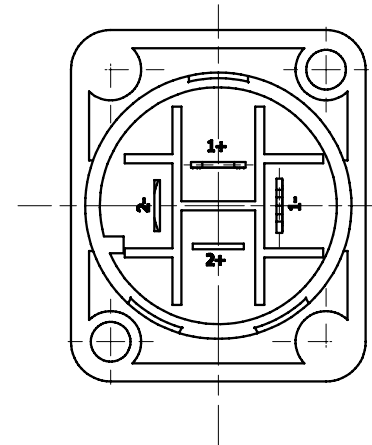
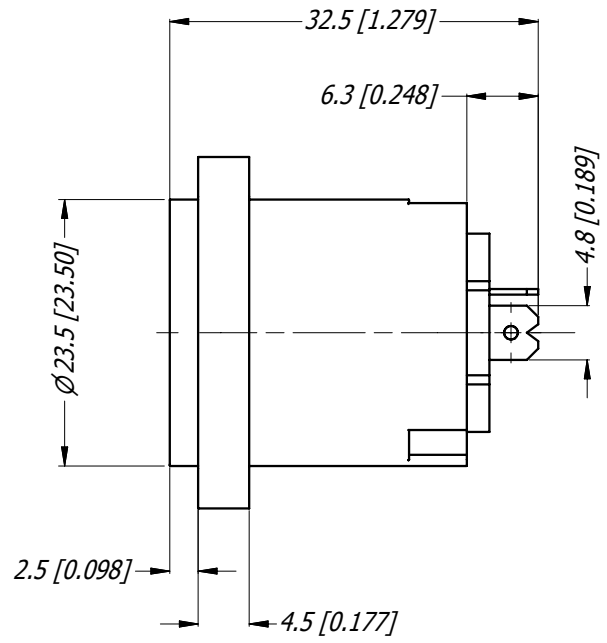
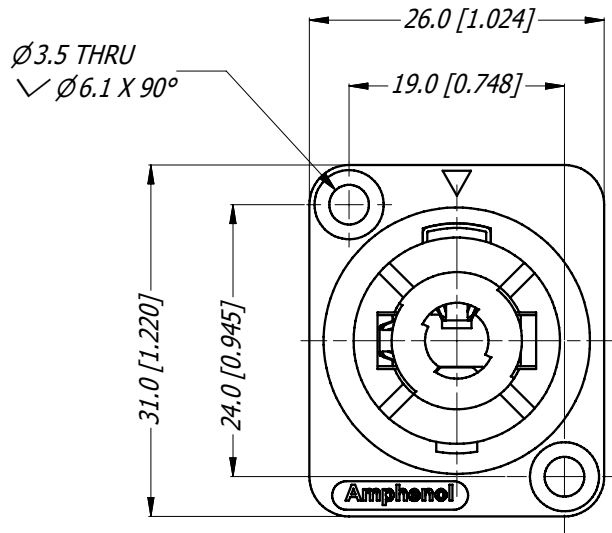


LEGEND  = KEY PRODUCT CHARACTERISTICS

REVISION HISTORY				
REV	DESCRIPTION	BY	DATE	ECN
0	FIRST ISSUE	H.H	14/02/11	8990



**3D VIEW**



**PANEL CUTOUT (1:1)**

UNLESS OTHERWISE SPECIFIED TOLERANCE TO BE		THIS DOCUMENT IS THE PROPERTY OF AMPHENOL AUSTRALIA PTY. LTD. NO PART THEREOF MAY BE REPRODUCED AND USED WITHOUT THE PRIOR WRITTEN CONSENT OF THE OWNER				<b>Amphenol</b>		Amphenol Australia Pty.Ltd, 2 Fiveways Blvd, Keysborough, VIC 3173	
LINEAR		ANGULAR		MATERIAL:	DRN: HH	DATE: 10/02/11	TITLE:		
X ± 0.5	X° ± 1	X.X° ± 30°		<b>REFER TO COMPONENTS</b>	CKD: TN	DATE: 14/02/11	<b>SP SERIES CONNECTOR LOUDSPEAKER 2 POLE, SOLDER</b>		
X.X ± 0.1	X.XX ± 15°	BREAK ALL SHARP EDGES AND REMOVE ALL BURRS		FINISH:	APP'D: PM	DATE: 14/02/11	PART No.		
DO NOT SCALE		DIMENSIONS IN MILIMETRES		THIRD ANGLE PROJECTION	SCALE: <b>3:2</b>	SIZE: <b>A4</b>	DRAWING No.		SHEET
							<b>55010735-000-2</b>		<b>2/2</b>