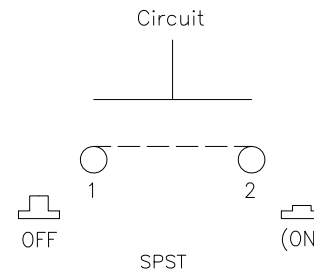
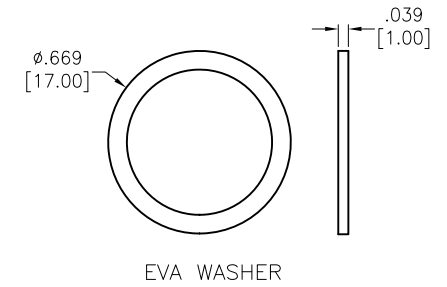
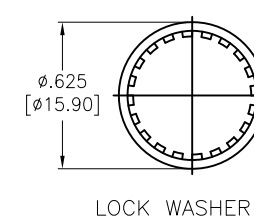
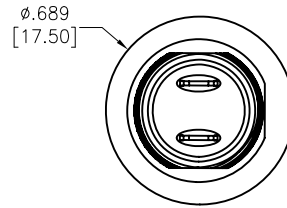
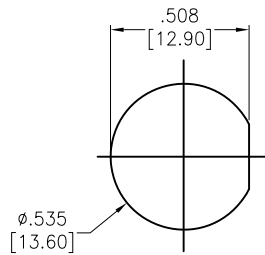
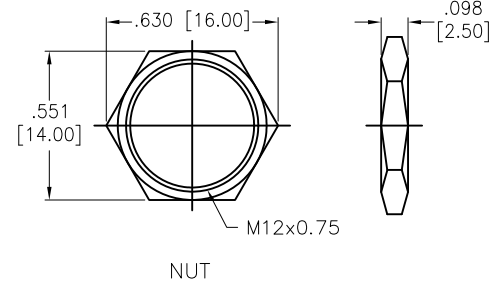
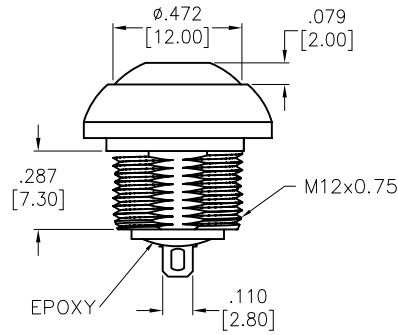
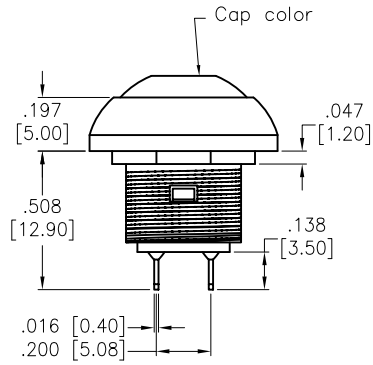


APPROVED: _____
 DATE: _____ TITLE: _____

| Rev | AWO # | Description | Date | Appr |
|-----|-------|-------------|---------|-------|
| - | | RELEASED | 2/18/21 | |
| A | | ADDED SPEC. | 6/21/21 | WX/RC |



SW-PB11-1CSX-10

| CAP COLOR |
|-----------|
| K=BLACK |
| R=RED |
| G=GREEN |

SPECIFICATIONS:

Material:
 Case: Dially Phthalate, rated UL 94V-0
 Cap: Polyamide66, Color: See Chart
 Bushing: Polyamide66
 Terminal: Gold over Silver Plated
 Electrical:

Rating: 400mA 32VAC
 100mA 50VDC
 125mA 125VAC
 500mA 48VAC
 200mA 50VDC

Contact resistance: 50 mΩ max
 Insulation resistance: 1G-ohms min @500VDC
 Dielectric withstanding voltage: 1,000 VAC For 1 Minute
 Electrical Life: 500,000 Cycles
 Temperature Rating:
 Operating temperature: -30°C to +85°C

Environmental: **A**
 IP67 front panel protection
 Lead free, RoHS compliant



UNLESS OTHERWISE SPECIFIED
 ALL DIMENSIONS ARE INCHES [MM]
 TOLERANCES: EXCEPT AS NOTED
 INCHES HOLES
 .X ± .10 Ø.X ± .10
 .XX ± .020 Ø.XX ± .015
 .XXX ± .015 Ø.XXX ± .010



909 Rahway Avenue,
 Union, NJ 07083
 Phone: 908-687-5000
 Fax: 908-687-5710

| APPROVALS | | DATE | TITLE | |
|-----------|----|---------|----------------------------------------------|-----------------------------|
| DRAWN | LH | 2/18/21 | IP67 PUSH BUTTON SWITCH, SOLDER TYPE | |
| CHECKED | AC | 2/18/21 | SPST, OFF-MOMENTARY, GOLD OVER SILVER PLATED | |
| APPROVED | | | SIZE X | PART NO. SW-PB11-1CSX-10 |
| | | | REF: S00198T | SCALE: NTS |
| | | | SHEET 1 OF 1 | |

6

5

4

3

2

1

6

5

4

3

2

1