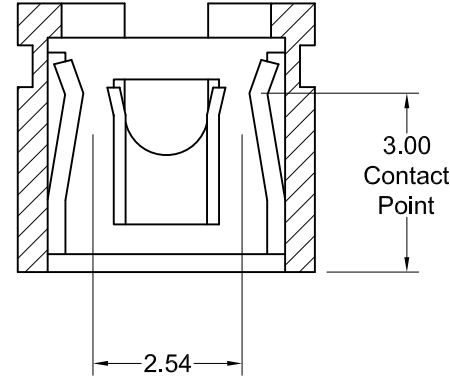


B Type



Materials and Finish

Body: PBT Thermoplastic,
30% Glass Filled,
UL94V-0 Rated,
Black Color

Contact Material: Phosphor Bronze,
Whole Terminal Nickel Plated, With
Gold Flash Plated In Contact Area

Electrical Specifications

Contact Current Rating:
3 Amp Max.

Contact Resistance:
20 milliohms Max.

Dielectric Withstanding Voltage:
AC 650 Volts RMS

Insulation Resistance:
1000 Megohms Min.

Temperature Rating:
-55°C To +125°C

Tolerances
X.X ± 0.25
X.XX ± 0.15
Unless Stated Otherwise

RoHS COMPLIANT

REV.	DATE	DESCRIPTION	REV. BY	CHK. BY	DRAWN BY	DATE
A1	02/25/09	New Drawing	S. Vien	H. MA	S. Vien	02/25/09
A2	09/23/10	ECO #10-065	S. Vien	H. MA		
A3	08/13/18	Update Address	D.Shehan	N/A		
A4	02/01/19	ECO #19-012	C. Kelleher	D.Shehan		
						UNITS
						mm

SX3100-B

Mini Shunt, 2.54 mm Pitch

RoHS Compliant

