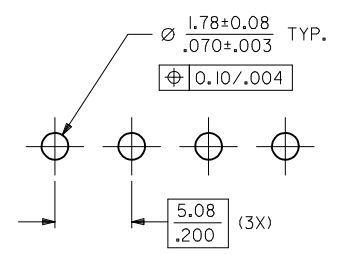
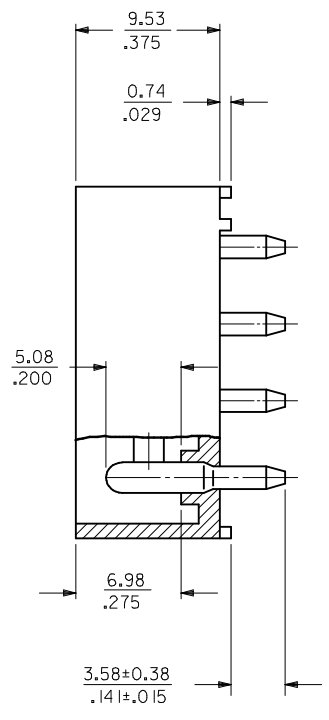
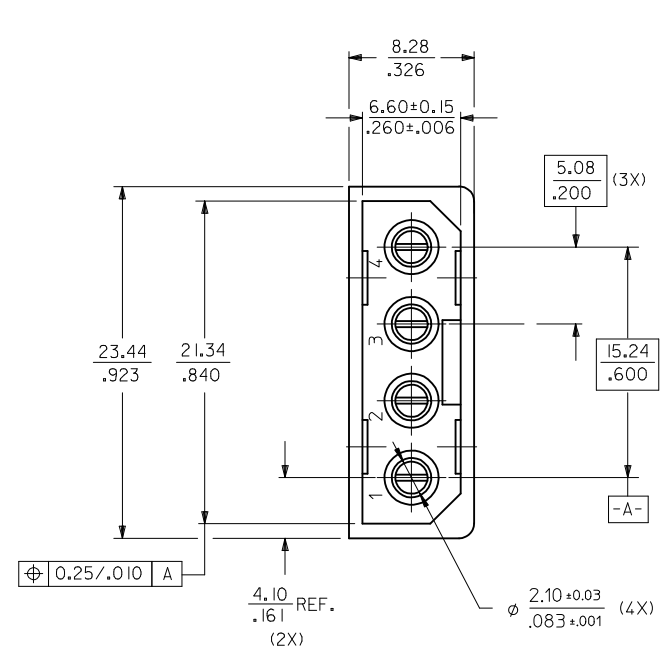


MAT'L NO.	ENG NO.
15-24-4745	A-8981-4V5-LF



RECOMMENDED PCB HOLE LAYOUT

NOTES :

- PLATING
POSTPLATE 0.00254/.000100 MIN. TIN
OVER 0.00127/.000050 MIN. NICKEL OVERALL.
- PART TO MATE WITH HOUSING 8981-4P2
AND TERMINAL 8980-3*.
- PRODUCT SPEC PS-8981-4V4/4R1-P APPLIES.
- MATERIAL:
HOUSING - PCT, GLASS FILLED, UL94V-0
COLOR BLACK
TERMINAL - PHOS BRONZE

ADD CKT INDICATION EC NO: S2009-0836 DRWN:SKANG 2009/05/08 CHKD:ATSEE 2009/05/08 APPR:MLONG 2009/05/11	QUALITY SYMBOLS ▽=0 ◻=0	GENERAL TOLERANCES (UNLESS SPECIFIED)		DIMENSION STYLE MM/IN		SCALE NTS	DESIGN UNITS METRIC	THIRD ANGLE PROJECTION		
			mm	INCH	DRAWN BY	DATE	TITLE POWER CONNECTOR, 4 CKTS VERTICAL MOUNT			
		4 PLACES	± ---	± ---	SKTOH	1991/10/17	MOLEX INCORPORATED			
		3 PLACES	± ---	± .008	CHECKED BY	DATE				
2 PLACES	± 0.20	± ---	MLA1	1991/10/17	APPROVED BY		DATE			
1 PLACE	± ---	± ---	RWONG	1991/10/18	MATERIAL NO.		DOCUMENT NO.			
ANGULAR ± 3 °		DRAFT WHERE APPLICABLE MUST REMAIN WITHIN DIMENSIONS		SEE TABLE		SD-8981-4V5		SHEET NO. 1 OF 1		
SIZE A3		THIS DRAWING CONTAINS INFORMATION THAT IS PROPRIETARY TO MOLEX INCORPORATED AND SHOULD NOT BE USED WITHOUT WRITTEN PERMISSION								