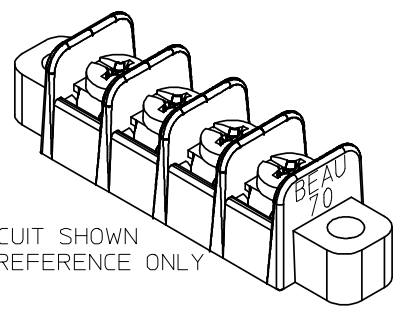
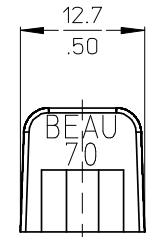
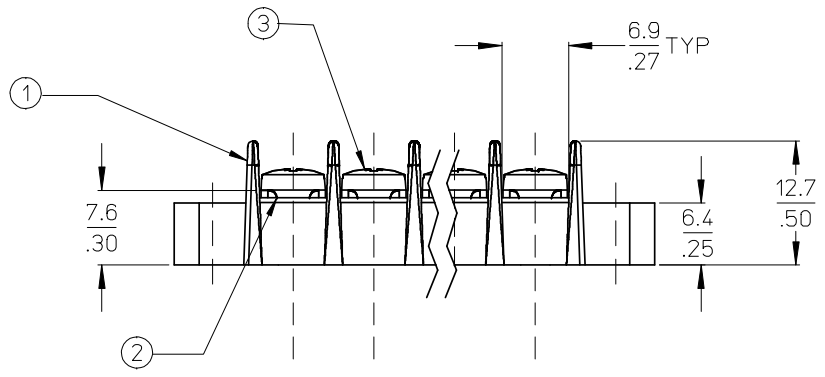


REF. -50 OPT. SCREW
(WHERE APPLICABLE)



4 CIRCUIT SHOWN
FOR REFERENCE ONLY



- NOTES:
1. MATERIAL: SEE TABLE.
 2. FINISHES: SEE TABLE.
 3. PRODUCT SPECIFICATION: NOT REQUIRED.
 4. "XX" REFERS TO THE NUMBER OF CIRCUITS.
 5. ROHS COMPLIANT.

| ITEM | QTY. | DESCRIPTION | MATERIAL | FINISH |
|------|------|--|-----------------|--------------------|
| 4 | "XX" | SCREW, #6-32, PAN HD, PH-SL, W/SQ WSHR (-50 OPT) | STEEL | ZN, CLEAR CHROMATE |
| 3 | "XX" | SCREW, #6-32, PAN HD, PH-SL, BR/STEEL (STD) | STEEL | ZN, CLEAR CHROMATE |
| 2 | "XX" | TERM CB 6C SN/B | BRASS | TIN PLATE |
| 1 | 1 | SR BARRIER TS CB 12 MOMTG | POLYESTER (PBT) | BLACK |

INITIAL RELEASE
EC NO: WNA2008-0402
DRAWN: ENC INAS 2008/07/28
CHKD: CYORK 2008/08/15
APPR: JMACNEIL 2008/08/15

QUALITY SYMBOLS
▽=0
▽=0

| | GENERAL TOLERANCES (UNLESS SPECIFIED) | |
|---------------|---------------------------------------|--------|
| | mm | INCH |
| 4 PLACES | ± --- | ± --- |
| 3 PLACES | ± --- | ± .005 |
| 2 PLACES | ± 0.13 | ± .01 |
| 1 PLACE | ± 0.3 | ± --- |
| ANGULAR ± 2 ° | | |

| DIMENSION STYLE | |
|-----------------|------------|
| MM/IN | |
| DRAWN BY | DATE |
| JENCINAS | 2008/07/04 |
| CHECKED BY | DATE |
| CYORK | 2008/07/07 |
| APPROVED BY | DATE |
| JMACNEIL | 2008/07/07 |
| MATERIAL NO. | |
| SEE SHEET 2 | |

| SCALE | DESIGN UNITS | THIRD ANGLE PROJECTION |
|---|--------------|------------------------|
| 2:1 | INCH | THIRD ANGLE PROJECTION |
| TITLE | | |
| 8.26/.325 SR CB BTS WITH MOUNTING ENDS | | |
| MOLEX INCORPORATED | | SHEET NO. |
| DOCUMENT NO. | | 1 OF 2 |
| THIS DRAWING CONTAINS INFORMATION THAT IS PROPRIETARY TO MOLEX INCORPORATED AND SHOULD NOT BE USED WITHOUT WRITTEN PERMISSION | | |

| QTY CKTS | DIM "A" | | DIM "B" | | DIM "C" | | STANDARD MATERIAL # | OPT. -50 MATERIAL # |
|-------------|---------|------|---------|-------|---------|------|------------------------|------------------------|
| | MM | INCH | MM | INCH | MM | INCH | | |
| 2 | 32.8 | 1.29 | 24.77 | 0.975 | 18.5 | 0.73 | 387000102 | 387001302 |
| 3 | 40.9 | 1.61 | 33.02 | 1.300 | 26.9 | 1.06 | 387000103 | 387001303 |
| 4 | 49.3 | 1.94 | 41.28 | 1.625 | 35.1 | 1.38 | 387000104 | 387001304 |
| 5 | 57.4 | 2.26 | 49.53 | 1.950 | 43.2 | 1.70 | 387000105 | 387001305 |
| 6 | 65.8 | 2.59 | 57.79 | 2.275 | 51.2 | 2.03 | 387000106 | 387001306 |
| 7 | 73.9 | 2.91 | 66.04 | 2.600 | 59.7 | 2.35 | 387000107 | 387001307 |
| 8 | 82.3 | 3.24 | 74.30 | 2.925 | 68.1 | 2.68 | 387000108 | 387001308 |
| 9 | 90.4 | 3.56 | 82.55 | 3.250 | 76.2 | 3.00 | 387000109 | 387001309 |
| 10 | 98.8 | 3.89 | 90.81 | 3.575 | 84.6 | 3.33 | 387000110 | 387001310 |
| 11 | 106.9 | 4.21 | 99.06 | 3.900 | 92.7 | 3.65 | 387000111 | 387001311 |
| 12 | 115.2 | 4.54 | 107.32 | 4.225 | 101.1 | 3.98 | 387000112 | 387001312 |
| 13 | 123.4 | 4.86 | 115.57 | 4.550 | 109.3 | 4.30 | 387000113 | 387001313 |
| 14 | 131.7 | 5.19 | 123.83 | 4.875 | 117.6 | 4.63 | 387000114 | 387001314 |
| 15 | 140.0 | 5.51 | 132.08 | 5.200 | 125.9 | 4.95 | 387000115 | 387001315 |
| 16 | 148.2 | 5.84 | 140.34 | 5.525 | 134.1 | 5.28 | 387000116 | 387001316 |
| 17 | 156.5 | 6.16 | 148.59 | 5.850 | 142.4 | 5.60 | 387000117 | 387001317 |
| 18 | 164.7 | 6.49 | 156.85 | 6.175 | 150.6 | 5.93 | 387000118 | 387001318 |
| 19 | 173.0 | 6.81 | 165.10 | 6.500 | 158.9 | 6.25 | 387000119 | 387001319 |
| 20 | 181.2 | 7.14 | 173.36 | 6.825 | 167.1 | 6.58 | 387000120 | 387001320 |
| 21 | 189.5 | 7.46 | 181.61 | 7.150 | 175.4 | 6.90 | 387000121 | 387001321 |
| 22 | 197.7 | 7.79 | 189.87 | 7.475 | 183.6 | 7.23 | 387000122 | 387001322 |
| 23 | 206.0 | 8.11 | 198.12 | 7.800 | 191.9 | 7.55 | 387000123 | 387001323 |
| 24 | 214.2 | 8.44 | 206.38 | 8.125 | 200.1 | 7.88 | 387000124 | 387001324 |
| 25 | 222.5 | 8.76 | 214.63 | 8.450 | 208.4 | 8.20 | 387000125 | 387001325 |

| | | | | | | | |
|---|-------------------------------|---------------------------------------|---|---|--------------|----------------------|------------------------|
| SEE SHEET ONE EC NO: WNA2008-0402 DRAWN: JENCINAS 2008/07/28 CHKD: CYORK 2008/08/15 APPR: JMACNEIL 2008/08/15 | QUALITY SYMBOLS ▽=0 ▽=0 | GENERAL TOLERANCES (UNLESS SPECIFIED) | | DIMENSION STYLE MM/IN | SCALE 2:1 | DESIGN UNITS INCH | THIRD ANGLE PROJECTION |
| | | 4 PLACES ± --- ± --- | DRAWN BY DATE JENCINAS 2008/07/04 | TITLE 8.26/.325 SR CB BTS WITH MOUNTING ENDS | | | |
| | | 3 PLACES ± --- ± .005 | CHECKED BY DATE CYORK 2008/07/07 | | | | |
| | | 2 PLACES ± 0.13 ± .01 | APPROVED BY DATE JMACNEIL 2008/07/07 | MOLEX INCORPORATED | | | |
| 1 PLACE ± 0.3 ± --- | MATERIAL NO. | DOCUMENT NO. | SHEET NO. | | | | |
| DRAFT WHERE APPLICABLE MUST REMAIN WITHIN DIMENSIONS | | SEE CHART | | SD-38700-008 | | 2 OF 2 | |
| THIS DRAWING CONTAINS INFORMATION THAT IS PROPRIETARY TO MOLEX INCORPORATED AND SHOULD NOT BE USED WITHOUT WRITTEN PERMISSION | | | | | | | |