

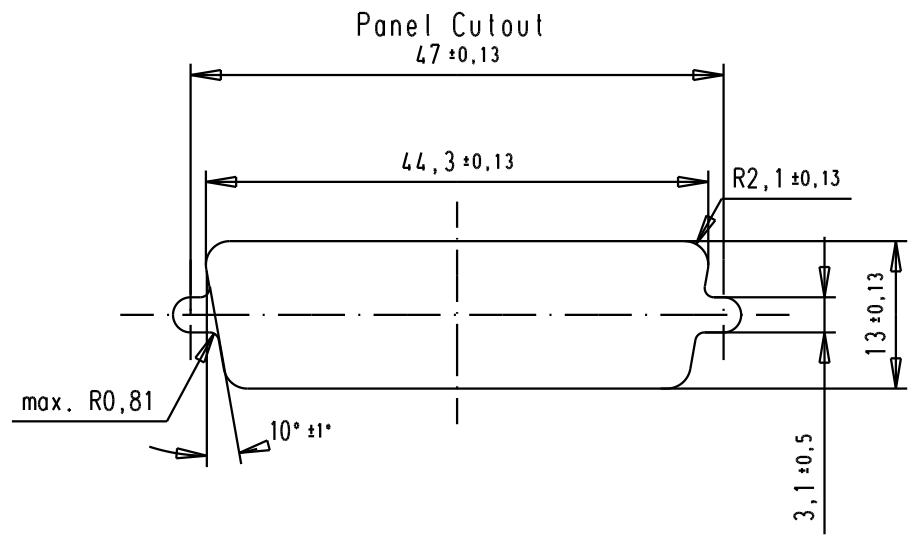
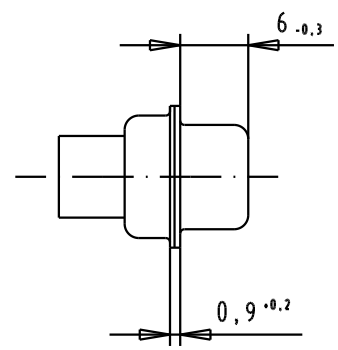
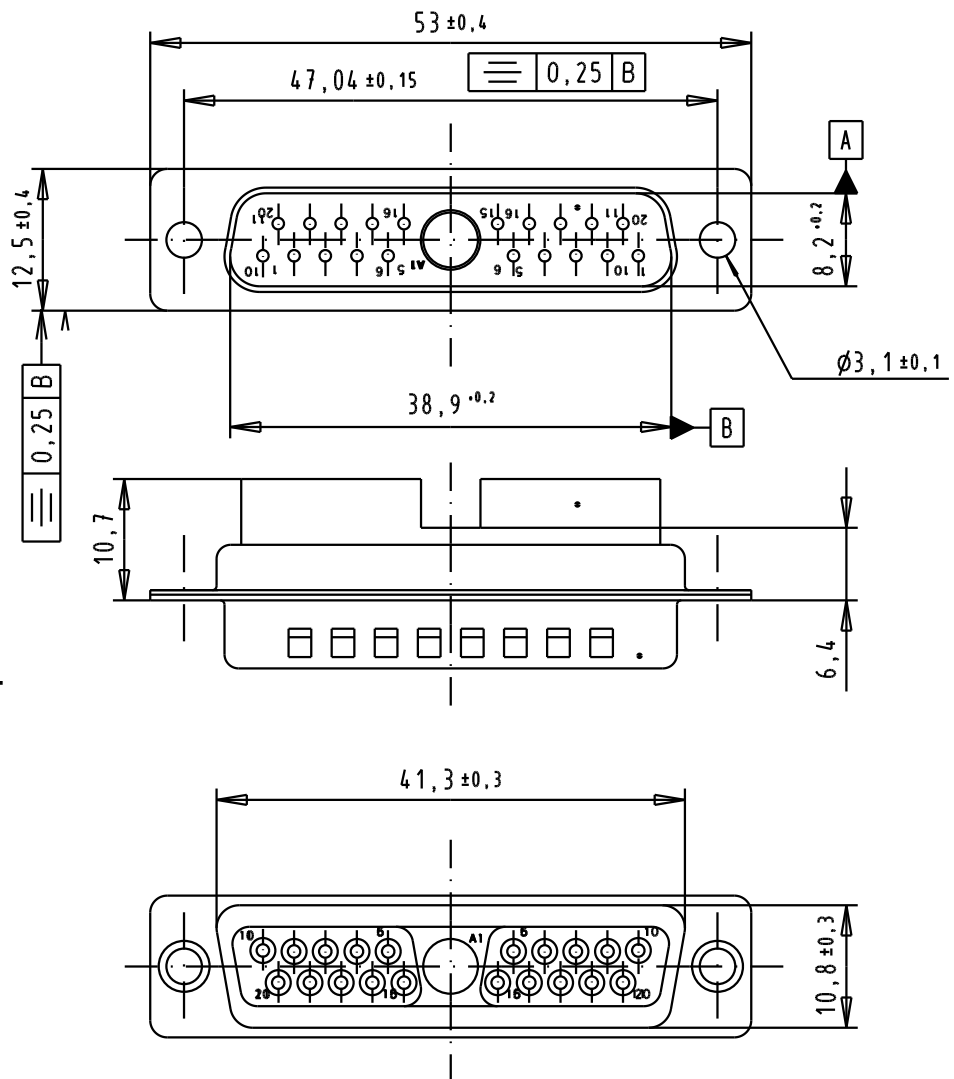
1 2 3 4 5 6



A

B

C

D



				Dat.	Name	 All Dim. in mm Orig. Size DIN A 4	D-sub, straight, male, 21W1, for data crimp contacts	Maßstab/ Scale 1,5:1
			Detail.	29/11/04	TR			
			Insp.					
			Stand.					
32483	29/11/04	TR	HARTING EURL F-95972 Paris				TB 09 69 312 0211	Blatt / Page 1 / 1
Mod.	Dat.	Name						