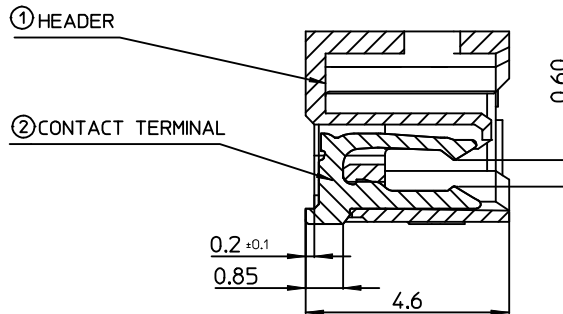
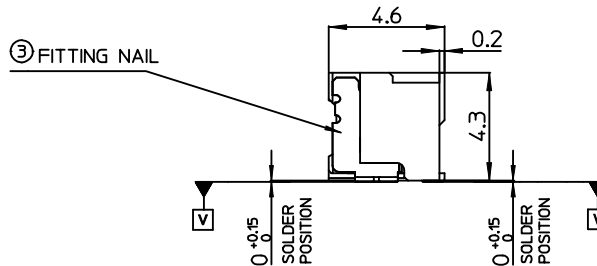
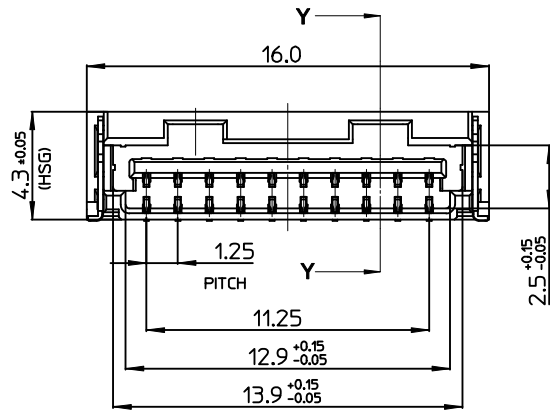


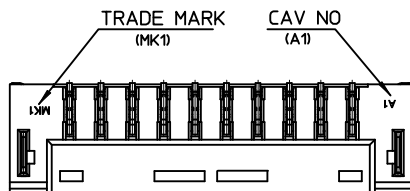
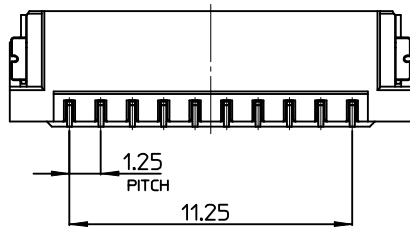
**RECOMMEND PATTERN [REF.]**  
[PCB GENERAL TOLERANCE ±0.05]

**NOTES.**

- MATED WITH : 104092-1000
- MATERIALS
  - ① HEADER : LCP, VECTRA E130i  
GLASS FILLED, UL94V-0,  
HALOGEN FREE, NATURAL COLOR
  - ② CONTACT TERMINAL : PHOSPHOR BRONZE, 0.2 Thickness
  - ③ FITTING NAIL : PHOSPHOR BRONZE, 0.2 Thickness
- FINISHES
  - ② CONTACT TERMINAL :  
PURE -TIN PLATING ON OVERALL.  
THICKNESS 3.0 μm~5.0 μm  
UNDER PLATING Ni OVERALL  
THICKNESS 1.25 μm~3.75 μm
  - ③ FITTING NAIL :  
PURE-TIN PLATING ON OVERALL  
THICKNESS 3.0 μm~5.0 μm  
UNDER PLATING Ni OVERALL  
THICKNESS 1.25 μm~3.75 μm
- COPLANALITY OF SOLDER TAILS (PEAK TEMP. : 260°C)  
BEFORE & AFTER RELOW : 0.08MAX
- PRODUCT SPECIFICATION : PS-104091-001

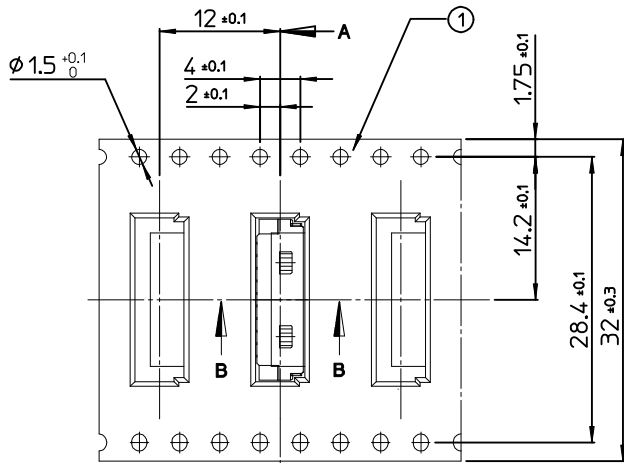


**SECTION Y-Y**

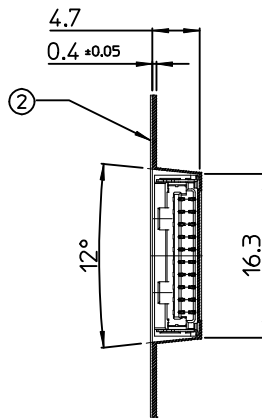
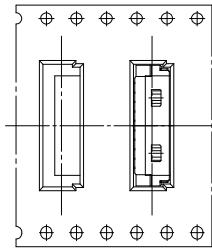


**ORDER No. 104091-1020**

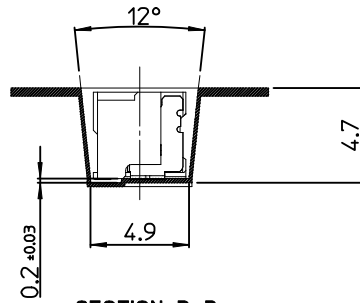
<b>RELEASED</b> EC NO: KOR2012-0022 DRWN: JHPARK01 2010/06/10 CHKD: SH. CHU APPR: YUNSIKKIM 2011/09/30	QUALITY SYMBOLS ▽=0 ◁=0	GENERAL TOLERANCES (UNLESS SPECIFIED) <table border="1"> <thead> <tr> <th></th> <th>mm</th> <th>INCH</th> </tr> </thead> <tbody> <tr> <td>4 PLACES</td> <td>± ---</td> <td>± ---</td> </tr> <tr> <td>3 PLACES</td> <td>± ---</td> <td>± ---</td> </tr> <tr> <td>2 PLACES</td> <td>± 0.15</td> <td>± ---</td> </tr> <tr> <td>1 PLACE</td> <td>± 0.20</td> <td>± ---</td> </tr> </tbody> </table>		mm	INCH	4 PLACES	± ---	± ---	3 PLACES	± ---	± ---	2 PLACES	± 0.15	± ---	1 PLACE	± 0.20	± ---	DIMENSION STYLE <b>MM ONLY</b>	SCALE <b>5:1</b>	DESIGN UNITS <b>METRIC</b>	THIRD ANGLE PROJECTION
		mm	INCH																		
	4 PLACES	± ---	± ---																		
	3 PLACES	± ---	± ---																		
2 PLACES	± 0.15	± ---																			
1 PLACE	± 0.20	± ---																			
DRAWN BY JH.PARK	DATE 2010/04/10	TITLE <b>1.25 W-T-B CONN.          HEADER ASS'Y-10P</b>																			
CHECKED BY SH. CHU	DATE 2010/04/10																				
APPROVED BY YUNSIKKIM	DATE 2011/09/30																				
DRAFT WHERE APPLICABLE MUST REMAIN WITHIN DIMENSIONS	MATERIAL NO. <b>1040911020</b>	MOLEX INCORPORATED	DOCUMENT NO. <b>SD-104091-002</b>	SHEET NO. <b>1 OF 01</b>																	



PULL OUT DIRECTION



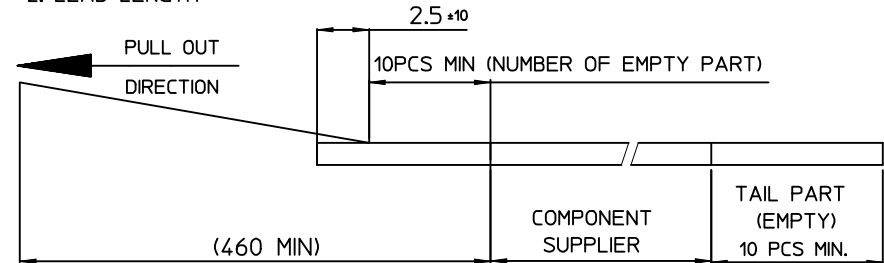
SECTION A-A



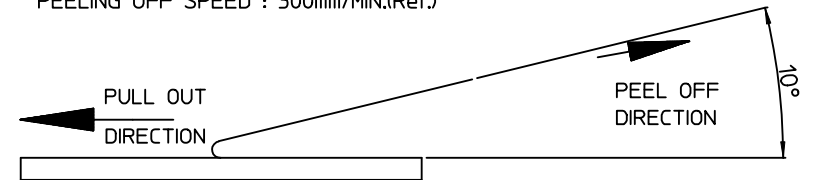
SECTION B-B

NOTES.

1. QUANTITY OF CONNECTORS : 1500 PCS/REEL
2. LEAD LENGTH

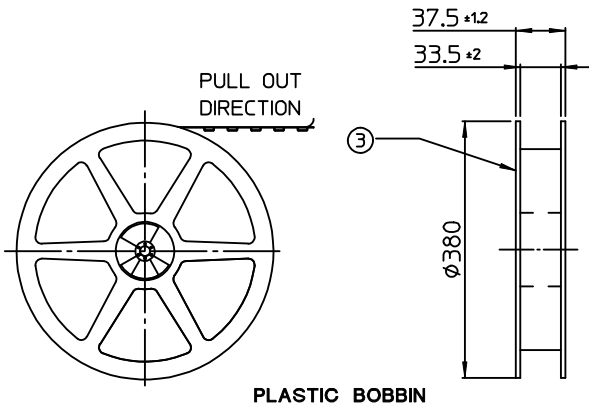


3. PEELING OFF FORCE OF COVER TAPE : 0.1N~0.59N(10.2GF~60GF)  
(PEELING DIRECTION AS SHOR IN FOLLOW FIG.)  
PEELING OFF SPEED : 300mm/MIN.(Ref.)



4. FLASH IN ANY PORTION SHOULD BE LESS THAN 0.20mm MAX.
5. UNLESS OTHERWISE SPECIFIED INNER R 0.2 MAX
6. DRAFT ANGLE 3° MAX

3	PLASTIC BOBBIN	HI P.S	WHITE
2	COVER TAPE	PET ANTISTATIC	37.5 mm
1	CARRIER (EMBOSSD) TAPE	PET ANTISTATIC	
NO.	DESCRIPTION	MATERIAL	REMARK



PLASTIC BOBBIN

RELEASED	EC NO: KOR2012-0022	DRWN: JHPARK01	2010/06/11	APPR: YUNSIKKIM	2011/09/30
REV	DESCRIPTION				
A					

GENERAL TOLERANCES (UNLESS SPECIFIED)	
	mm
4 PLACES	± 0.15
3 PLACES	± 0.20
2 PLACES	± 0.25
1 PLACE	± 0.30
ANGULAR ± 1°	
DRAFT WHERE APPLICABLE MUST REMAIN WITHIN DIMENSIONS	

DIMENSION STYLE	
MM ONLY	
DRAWN BY	DATE
JH. PARK	2010/04/11
CHECKED BY	DATE
SH. CHU	2010/04/11
APPROVED BY	DATE
YUNSIKKIM	2011/09/30
MATERIAL NO.	
1040911020	
SIZE	
A3	

SCALE	DESIGN UNITS	THIRD ANGLE PROJECTION
2:1	METRIC	
TITLE		
EMBOSSD PACKAGE 1.25 W-T-B CONN HEADER ASS'Y-10P		
MOLEX INCORPORATED		
MATERIAL NO.	DOCUMENT NO.	SHEET NO.
1040911020	SD-104091-005	1 OF 01

ORDER No. 104091-1020