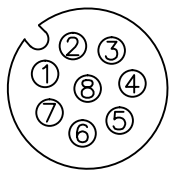


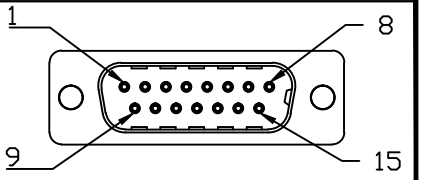
FRONT VIEW - FEMALE M12



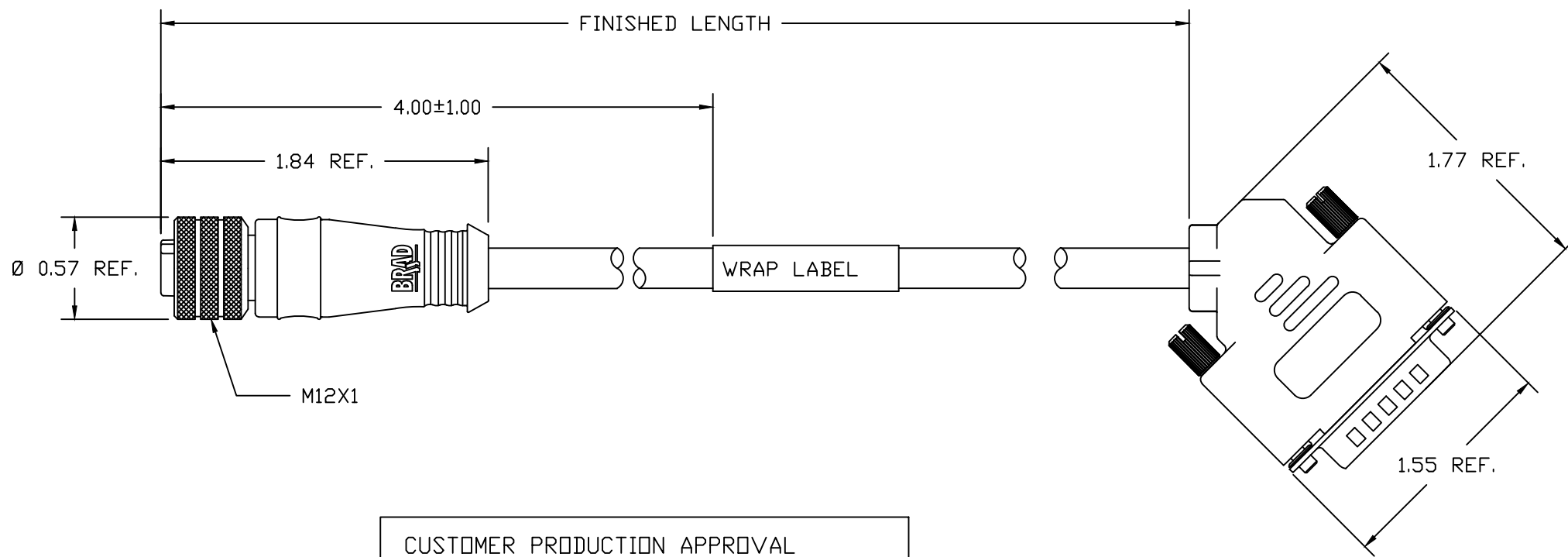
- 1-WHITE
- 2-BROWN
- 3-GREEN
- 4-YELLOW
- 5-GREY
- 6-PINK
- 7-BLUE
- 8-RED

PART NUMBER	ENGINEERING NUMBER	FINISH LENGTH
1200690290	8M8S32E40M100	32.81' +12.5'-0 [10M +0.32 -0]
1200690273	8M8S32E40M200	65.62' +24.5'-0 [20M +0.62 -0]
1200690291	8M8S32E40M203	66.6' +24.5'-0 [20.3M +0.62 -0]
1200690274	8M8S32E40M300	98.43' +24.5'-0 [30M +0.62 -0]

FRONT VIEW - D-SUB



- 2-BROWN
- 4-WHITE
- 5-GRAY
- 8-GREEN
- 13-PINK
- 15-YELLOW



NOTES:

MECHANICAL

M12
 INSERT: BLACK PUR
 CONTACT: GOLD/NICKEL OVER COPPER ALLOY
 COUPLING NUT: NICKEL PLATED BRASS
 MOLDED BODY: BLACK PUR

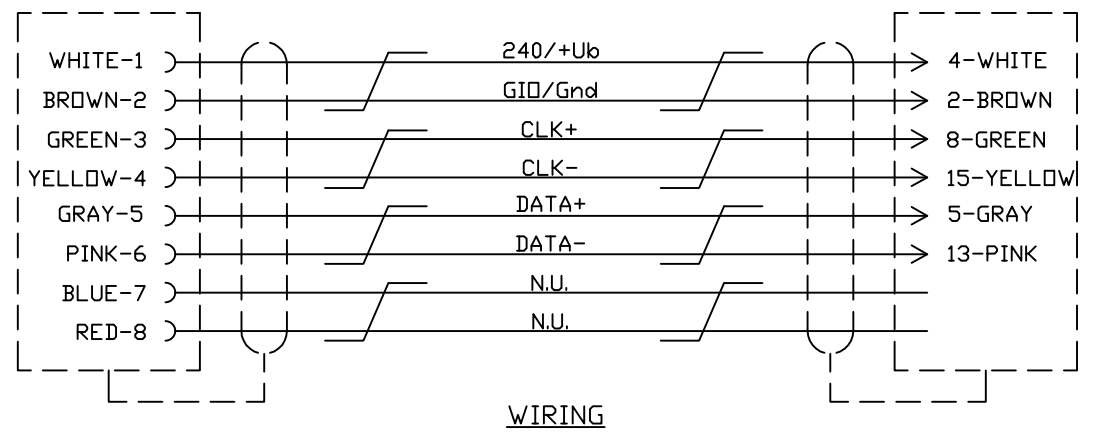
D-SUB FACE
 SHELLS: TIN/CADMIUM/ZINC PLATED STEEL
 INSULATOR: SELF EXTINGUISHING THERMOPLASTIC TO UL CLASS 94
 CONTACT: Ø 0.1 MM. COPPER ALLOY, GXT/GOLD OVER NICKEL PLATING
 SUPPLIER: FCI PART NUMBER DAP15P065TXLF

D-SUB OUTER SHELL
 MATERIAL: ZINC DIE-CAST, NICKEL PLATED
 STRAIN RELIEF: POLYCARBONATE (UL94V-0)
 SUPPLIER: FCI PART NUMBER 8655MHRA1501LF

CABLE
 TYPE: 24 AWG 4 PAIR CONDUCTORS LIYCY GRAY PVC JACKET
 WRAP LABEL: MARKED WITH P/N, DATE CODE, VOLTAGE & AMPERAGE

CUSTOMER PRODUCTION APPROVAL
 APPROVED BY: _____
 DATE: _____
 MUST BE SIGNED AND RETURNED BEFORE
 PRODUCTION WILL BEGIN.

SALES DRAWING



ELECTRICAL

FACE
 OPERATING TEMP.: -20°C TO +80°C
 VOLTAGE: 30V
 AMPERAGE: 2A

INITIAL RELEASE EC NO: IPG2013-1315 DRWN: BARDEN 2013/02/25 CHKD: BWOODMAN APPR: BWOODMAN 2013/05/13	DESCRIPTION REV	QUALITY SYMBOLS ▽=0 ∇=0	GENERAL TOLERANCES (UNLESS SPECIFIED)		DIMENSION STYLE INCH ONLY		SCALE NTS	DESIGN UNITS INCH	THIRD ANGLE PROJECTION	
			4 PLACES ±--- ±---	mm INCH	DRAWN BY BARDEN	DATE 2013/02/25	TITLE MICRO-CHANGE ASSEMBLY 8P FP/D-SUB 24/4P AWG PVC SHIELDED			
			3 PLACES ±--- ±.005	2 PLACES ±0.13 ±.010	CHECKED BY BWOODMAN	DATE 2013/03/08				
			1 PLACE ±0.25 ±.020	ANGULAR ±.5°	APPROVED BY BWOODMAN	DATE 2013/05/13	MATERIAL NO. SEE CHART	DOCUMENT NO. SD-120069-015	SHEET NO. 1 OF 1	
DRAFT WHERE APPLICABLE MUST REMAIN WITHIN DIMENSIONS			SIZE B		THIS DRAWING CONTAINS INFORMATION THAT IS PROPRIETARY TO MOLEX INCORPORATED AND SHOULD NOT BE USED WITHOUT WRITTEN PERMISSION					