

Housing - HC-HPR-B10-SHFH-2SSM32-EMR-BK - 1411096

Please be informed that the data shown in this PDF Document is generated from our Online Catalog. Please find the complete data in the user's documentation. Our General Terms of Use for Downloads are valid (<http://phoenixcontact.com/download>)




HEAVYCON B10 box mounting base, for screw locking, HPR series, with 2 x M32 gland, for increased environmental and EMC requirements

Your advantages

- ✔ Vibration and shock: IEC 61373/EN 50155, category 1, class 1B



Key Commercial Data

Packing unit	1 pc
GTIN	 4 046356 921565
GTIN	4046356921565

Technical data

Dimensions

Height	100 mm
Width	80 mm
Length	170 mm

Ambient conditions

Degree of protection of housing (IP)	IP66
	IP68 (0.5 bar / 24 h)
	IP69K (ISO 20653:2013-02)
Ambient temperature (operation)	-40 °C ... 125 °C

General

Note	For contact inserts HC-B10, BB18, DD42, M, K8/24
Size	B10
Housing type	Box mounting bases
Color	black
Locking type	For screw locking

Housing - HC-HPR-B10-SHFH-2SSM32-EMR-BK - 1411096

Technical data

General

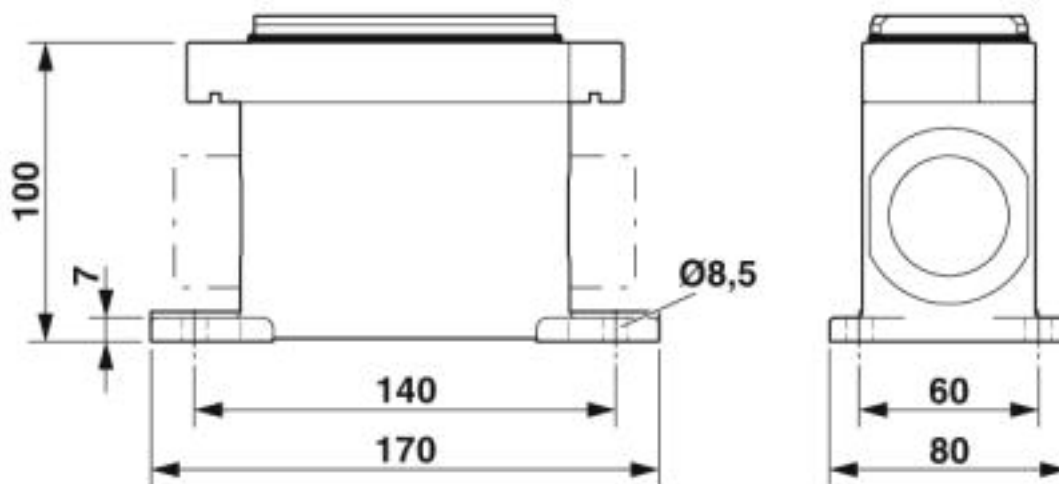
No. of cable outlets	2
Cable outlet	lateral
Screw connection	none
Type of the screw connection	2x M32
Protective cover	no
Housing material	Aluminum die-cast
Housing surface material	Powder-coated, black
Seal material	NBR

Environmental Product Compliance

China RoHS	Environmentally Friendly Use Period = 50
	For details about hazardous substances go to tab "Downloads", Category "Manufacturer's declaration"

Drawings

Dimensional drawing



Dimensional drawing

Approvals

Approvals

Approvals


EAC / DNV GL

Ex Approvals

Housing - HC-HPR-B10-SHFH-2SSM32-EMR-BK - 1411096

Approvals

Approval details

EAC		RU C- DE.AI30.B.01102
-----	---	--------------------------

DNV GL		https://approvalfinder.dnvgl.com/	TAE000037S
--------	---	---	------------

Phoenix Contact 2019 © - all rights reserved
<http://www.phoenixcontact.com>

PHOENIX CONTACT GmbH & Co. KG
Flachsmarktstr. 8
32825 Blomberg
Germany
Tel. +49 5235 300
Fax +49 5235 3 41200
<http://www.phoenixcontact.com>