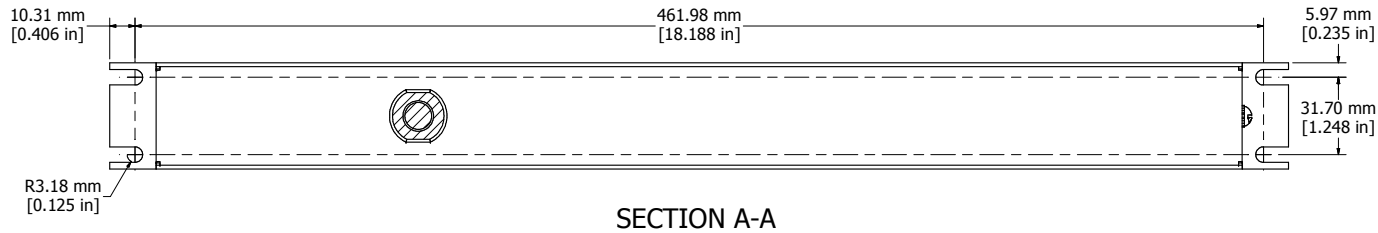
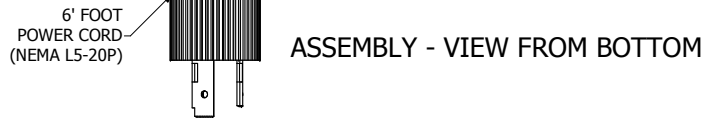
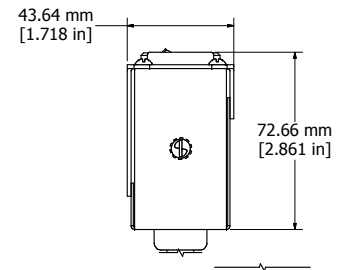
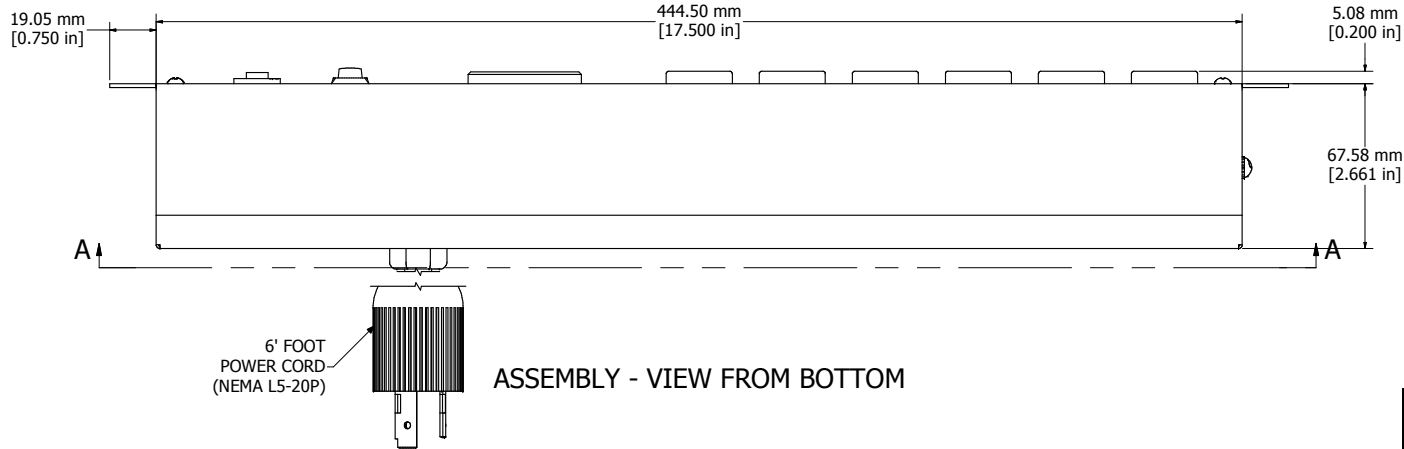
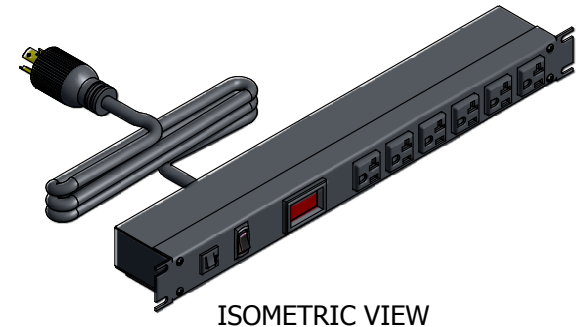
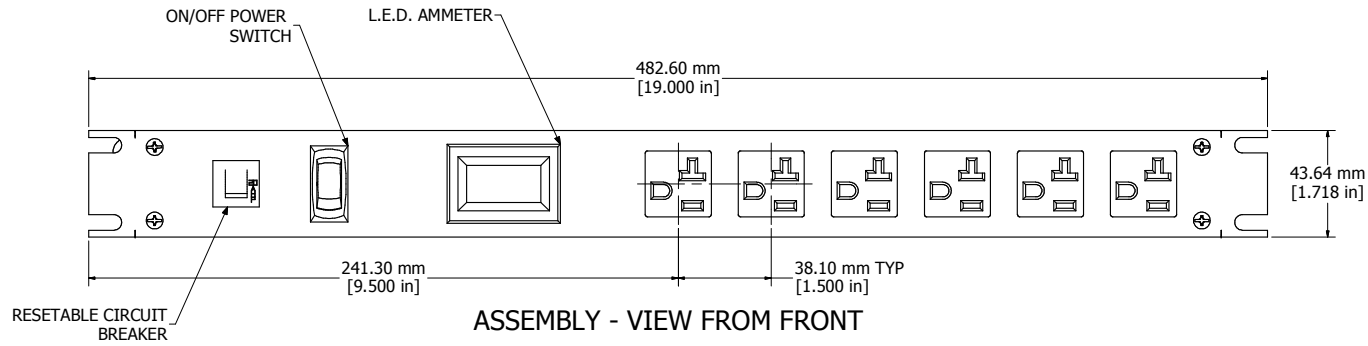


8 | 7 | 6 | 5 | 4 | 3 | 2 | 1



**1589H6C1BKRFAM**

Finish - Front - Black Painted Steel
Back - Black Painted Steel
Rated - 125 VAC, 60 Hz, 20 Amps
Approvals - CSA Certified Standards C22.2 (No. 21-95, 42-99)
- UL Recognized Standard UL1363

**Cord Length**

1589H6C1BKRFAM - 6' Foot Power Cord (NEMA L5-20P)

**HAMMOND MANUFACTURING™**

**1589H6C1BKRFAM**

www.hammondmfg.com

8 | 7 | 6 | 5 | 4 | 3 | 2 | 1