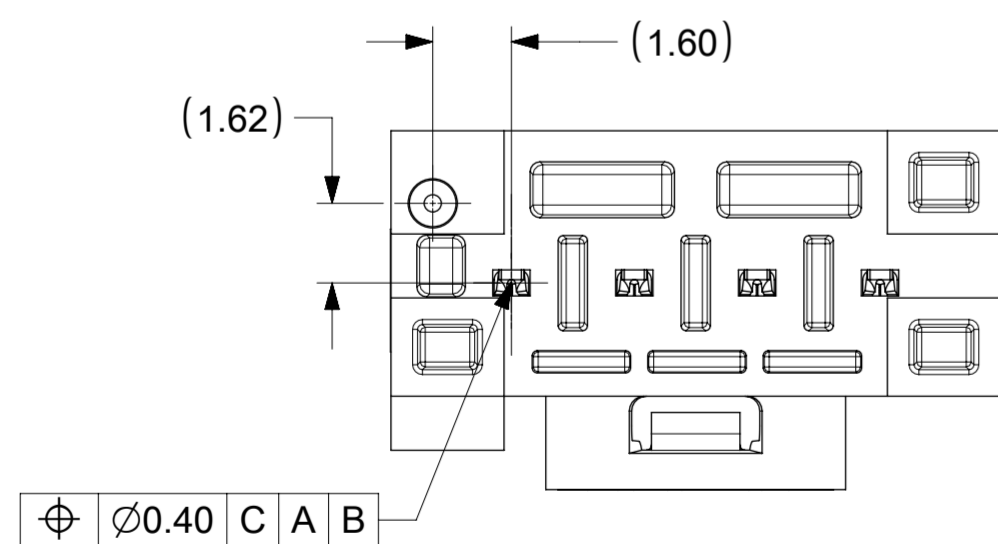
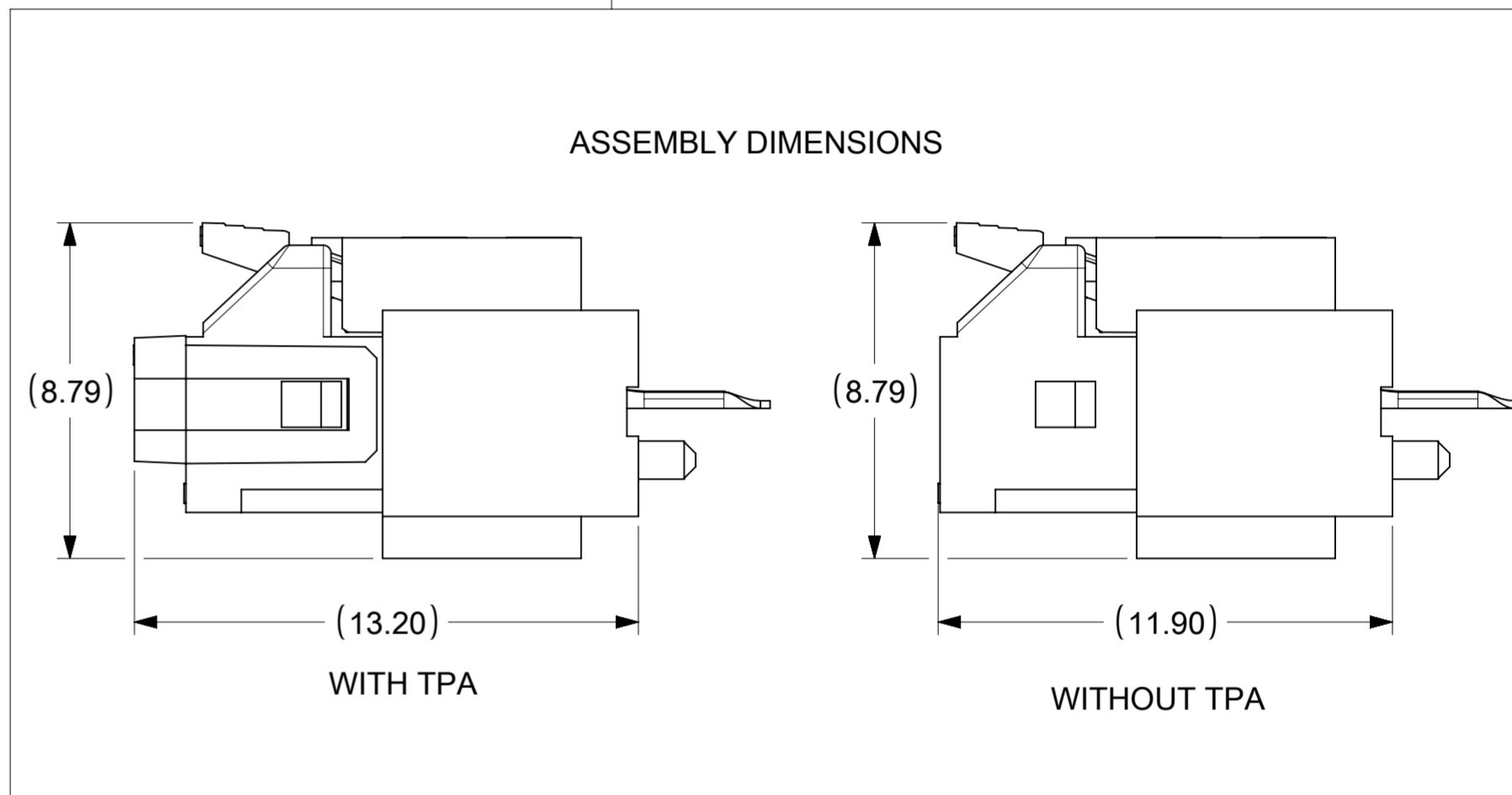
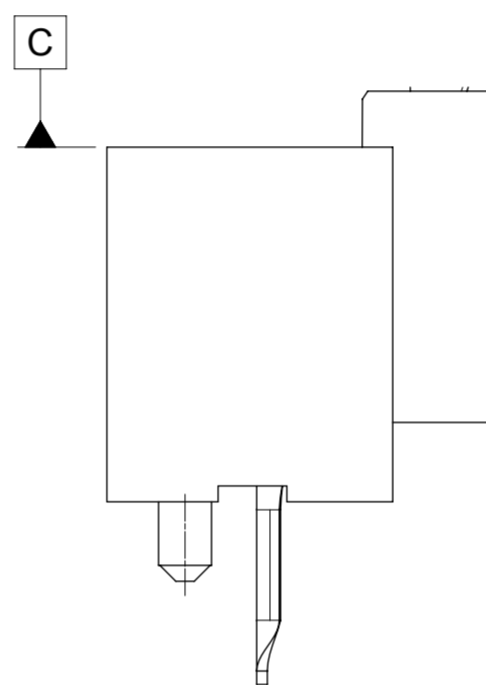
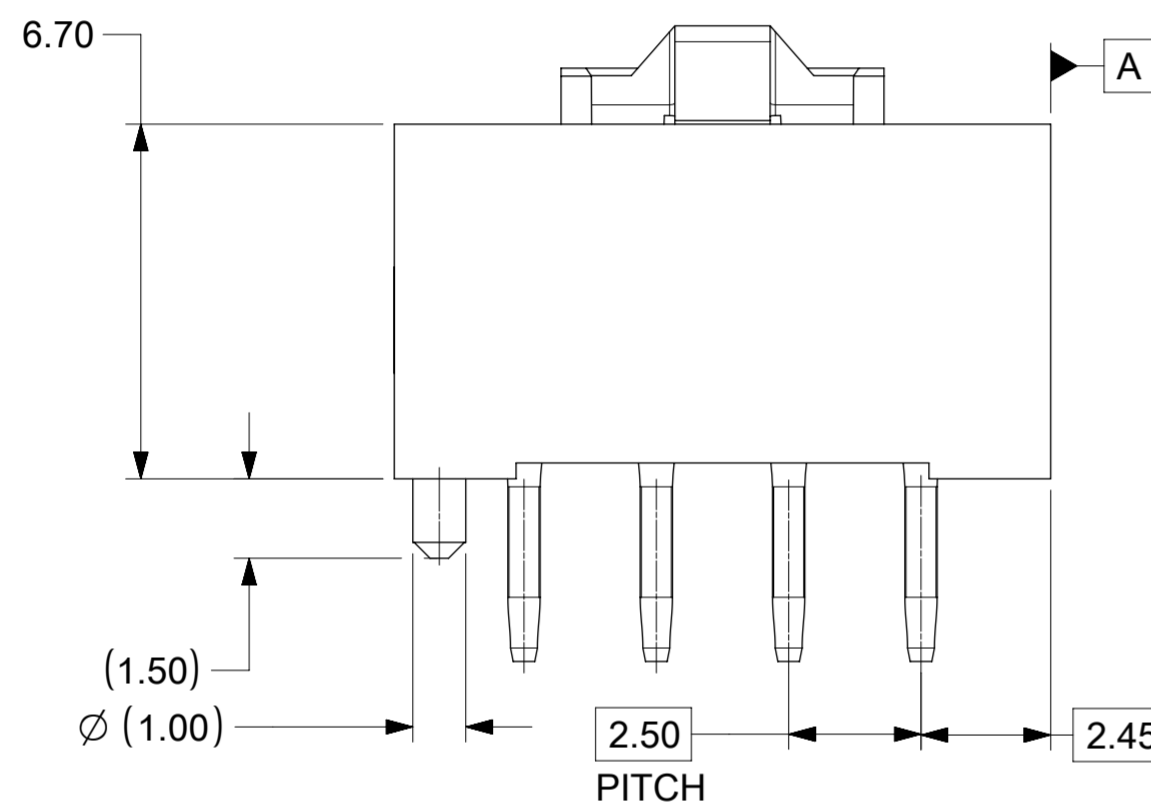


ISOMETRIC VIEW FOR  
4 CKT HEADER ASSEMBLY



CKT SIZE	HEADER ASSEMBLY P/N	DIM. B
2	2078430002	8.00
3	2078430003	9.90
4	2078430004	12.40
5	2078430005	14.90
6	2078430006	17.40
7	2078430007	19.90
8	2078430008	22.40

- NOTES:  
 1. MATERIAL:  
 a. HOUSING: LIQUID CRYSTAL POLYMER, RATED UL 94V-0, COLOUR - BLACK  
 b. TERMINAL: BRASS ALLOY PLATING: TIN OVER NICKEL OVERALL.  
 2. PRODUCT SPECIFICATION: 2079020001-PS  
 3. PACKAGING SPECIFICATION: 2078430000-PK  
 4. COSMETIC SPECIFICATION: PS-45499-002 CLASS B

SYMBOLS	THIS DRAWING CONTAINS INFORMATION THAT IS PROPRIETARY TO MOLEX ELECTRONIC TECHNOLOGIES, LLC AND SHOULD NOT BE USED WITHOUT WRITTEN PERMISSION	
DIMENSION UNITS	SCALE	CURRENT REV DESC:
∇ = 0	mm	6:1
∇ = 0	GENERAL TOLERANCES (UNLESS SPECIFIED)	
∇ = 0	ANGULAR TOL	± °
∇ = 0	4 PLACES	±
∇ = 0	3 PLACES	±
∇ = 0	2 PLACES	± 0.25
∇ = 0	1 PLACE	± 0.3
∇ = 0	0 PLACES	±
∇ = 0	DRAFT WHERE APPLICABLE MUST REMAIN WITHIN DIMENSIONS	THIRD ANGLE PROJECTION
	DRAWING	SERIES
	A2-SIZE	207843
	EC NO: 706742	
	DRWN: SHRUTJ	2022/04/20
	CHK'D: SHRUTJ	2022/05/13
	APPR: ISHWARG	2022/05/13
	INITIAL REVISION:	
	DRWN: SUDAYGUNAGI	2018/06/19
	APPR: ISHWARG	2019/04/16
	MATERIAL NUMBER	CUSTOMER
	2078430004-SD	
	DOC TYPE	DOC PART
	PSD	000
	REVISION	A5
	SHEET NUMBER	
	1 OF 2	

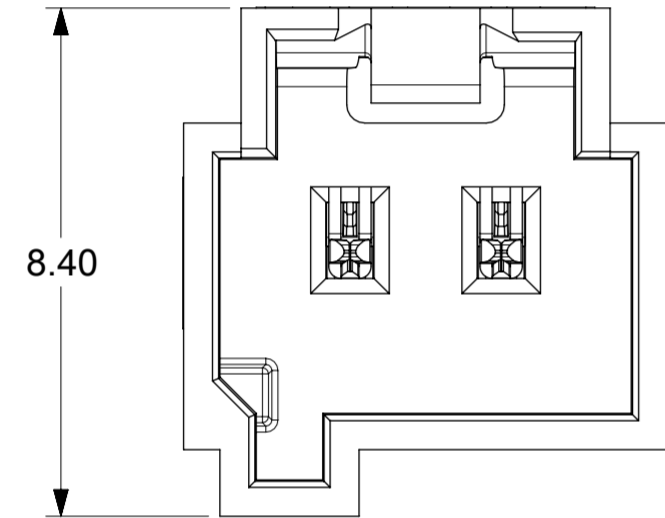
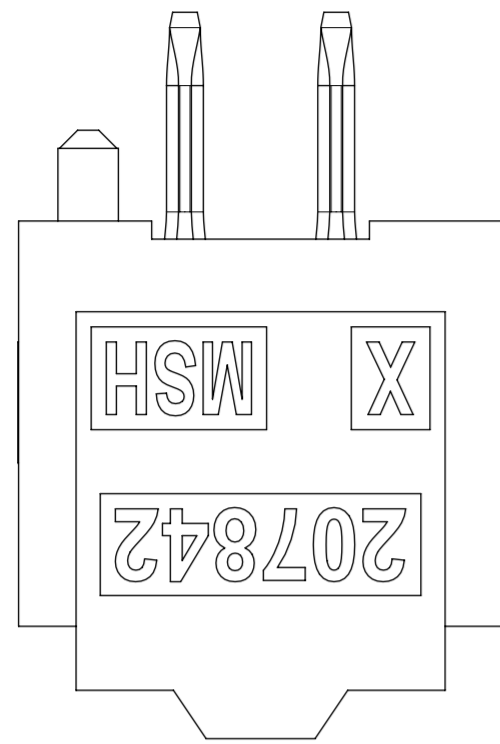
**molex**

HEADER ASSEMBLY FOR KK PLUS 250

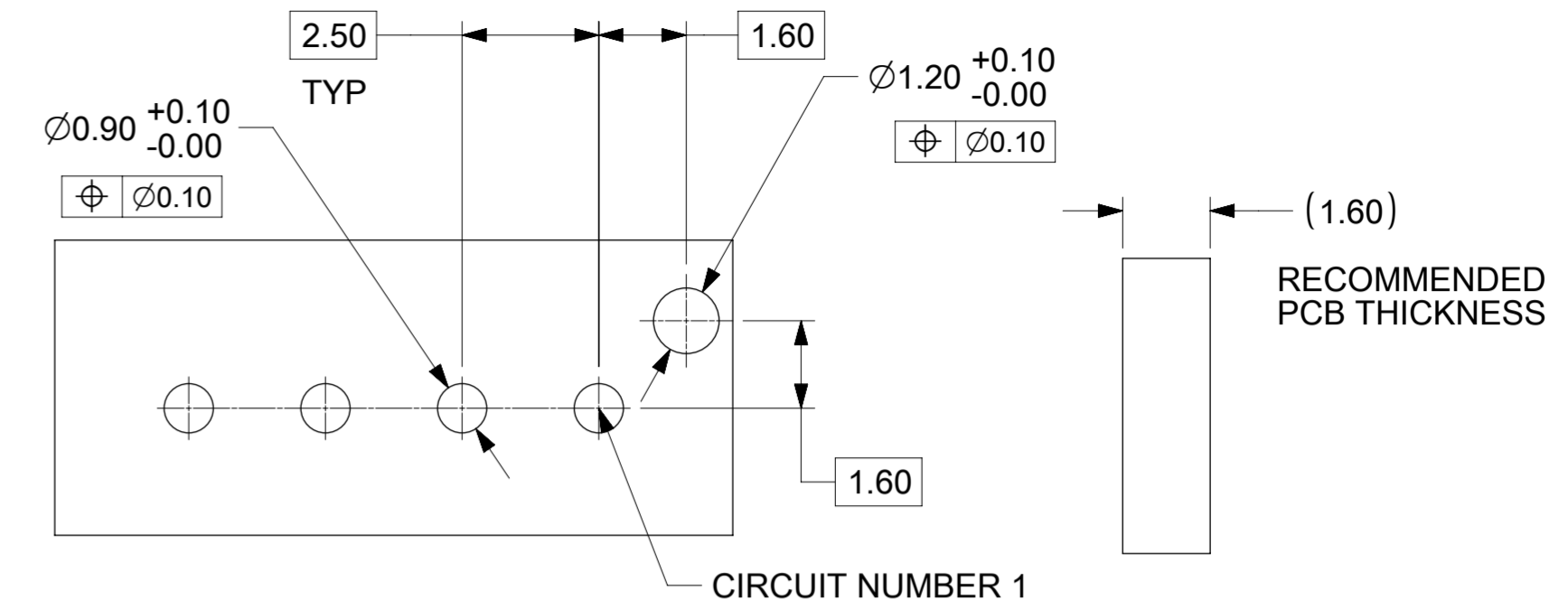
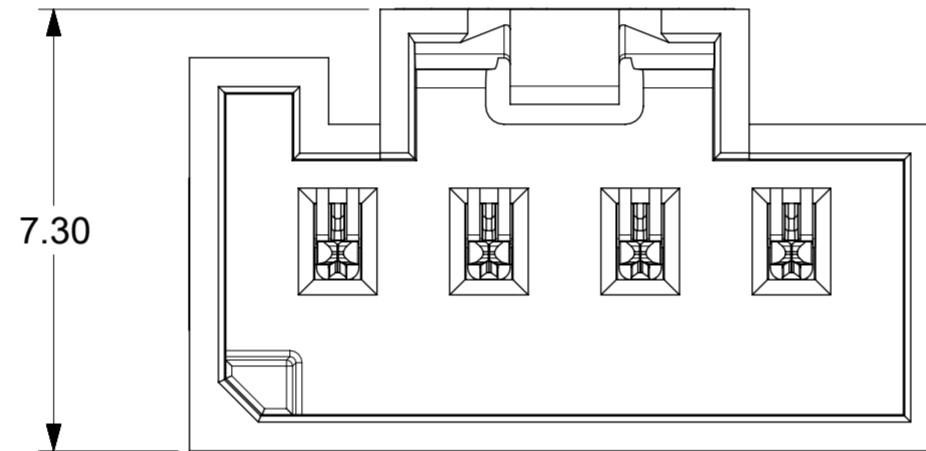
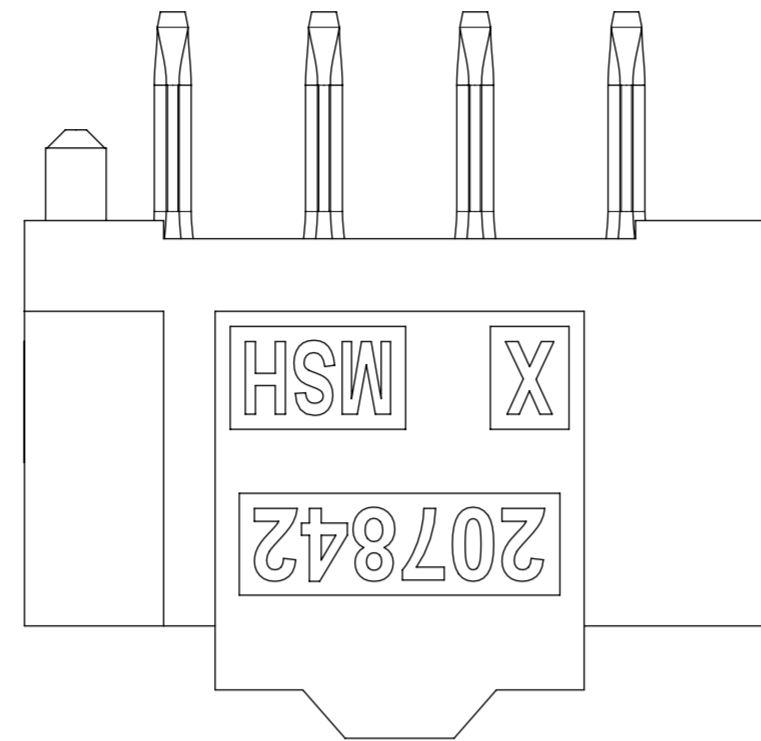
PRODUCT CUSTOMER DRAWING

# POLARIZATION

## 2 & 3CKT

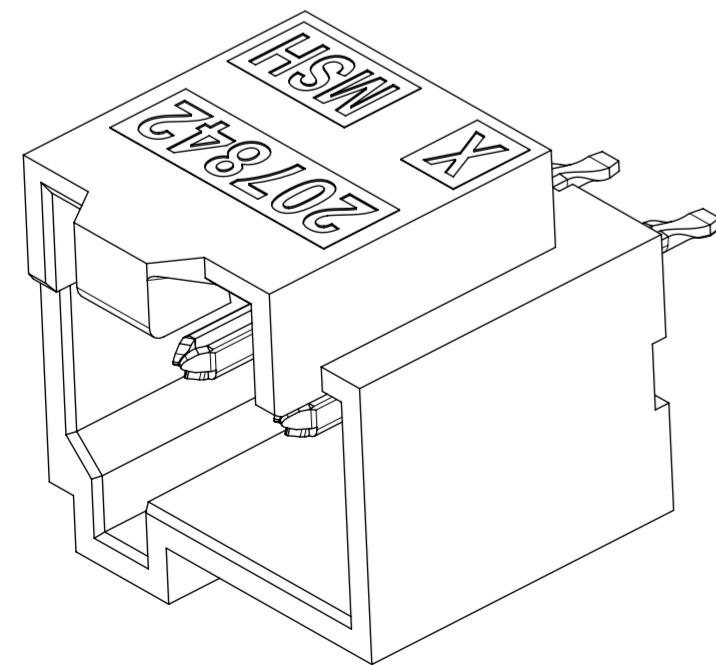


## 4 CKT TO 10 CKT

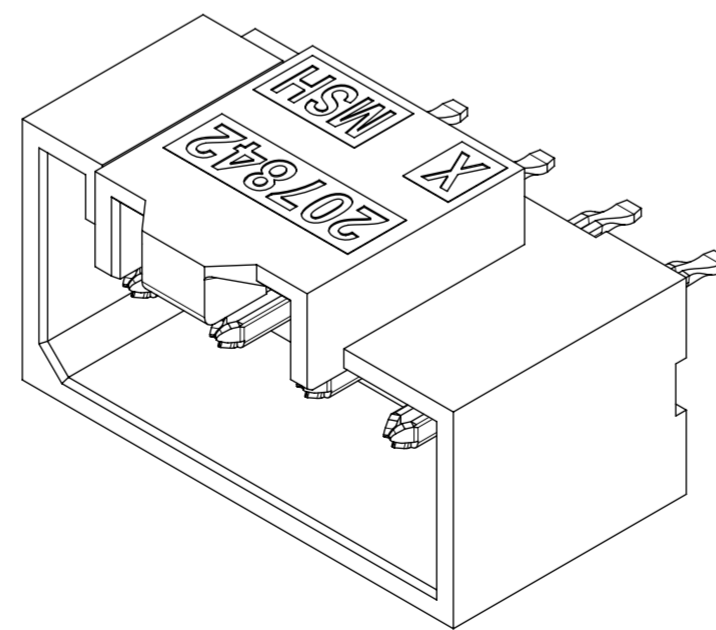


PCB LAYOUT FOR 4CKT HEADER ASSEMBLY  
PCB LAYOUT VIEWED FROM THE MATING SIDE

## ISOMETRIC VIEW FOR 2 & 3CKT



## ISOMETRIC VIEW FOR 4 CKT TO 10 CKT



SYMBOLS	THIS DRAWING CONTAINS INFORMATION THAT IS PROPRIETARY TO MOLEX ELECTRONIC TECHNOLOGIES, LLC AND SHOULD NOT BE USED WITHOUT WRITTEN PERMISSION								
	DIMENSION UNITS	SCALE	CURRENT REV DESC:						
▽ = 0	mm	8:1	EC NO: 706742 DRWN: SHRUTJ 2022/04/20 CHK'D: SHRUTJ 2022/05/13 APPR: ISHWARG 2022/05/13						
▽ = 0	GENERAL TOLERANCES (UNLESS SPECIFIED)								
▽ = 0	ANGULAR TOL ± °								
▽ = 0	4 PLACES ±								
▽ = 0	3 PLACES ±		INITIAL REVISION: DRWN: SUDAYGUNAGI 2018/06/19 APPR: ISHWARG 2019/04/16						
▽ = 0	2 PLACES ± 0.25								
▽ = 0	1 PLACE ± 0.3								
▽ = 0	0 PLACES ±								
▽ = 0	DRAFT WHERE APPLICABLE MUST REMAIN WITHIN DIMENSIONS		THIRD ANGLE PROJECTION	DRAWING	SERIES	DOCUMENT NUMBER	DOC TYPE	DOC PART	REVISION
▽ = 0			A2-SIZE	207843	2078430004-SD	PSD	000	A5	



HEADER ASSEMBLY FOR KK PLUS 250

PRODUCT CUSTOMER DRAWING

2 OF 2