

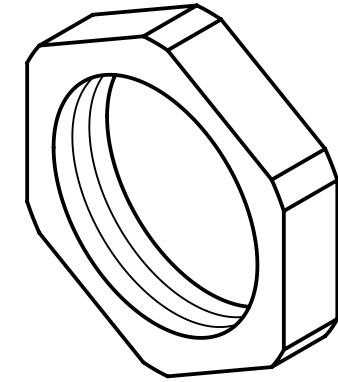
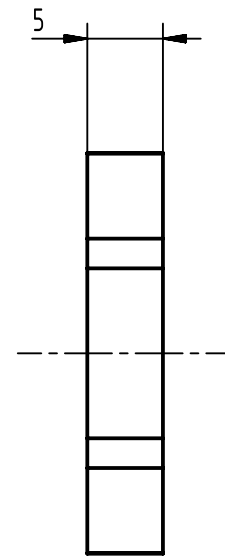
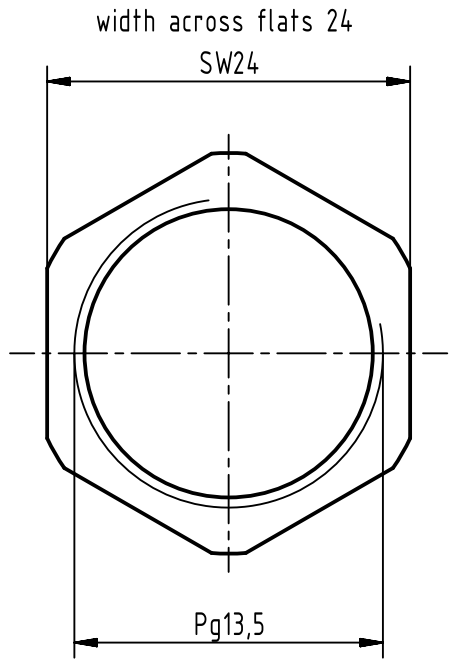
1                      2                      3                      4                      5                      6


A

B

C

D



	All rights reserved Department EC PD - DE	All Dimensions in mm Original Size DIN A4		Scale 2:1	Free size tol.		Ref.		
		Created by ROEDER		Inspected by GENAU		Standardisation KOHLER		Date 2013-08-01	
HARTING Electronics GmbH D-32339 Espelkamp		Title Locknut Pg13,5					Doc-Key / ECM-Nr. 100545753/UGD/001/A 500000064810		
		Type TB		Number 21010000039			State Final Release		
						Rev. A		Page 1/1	