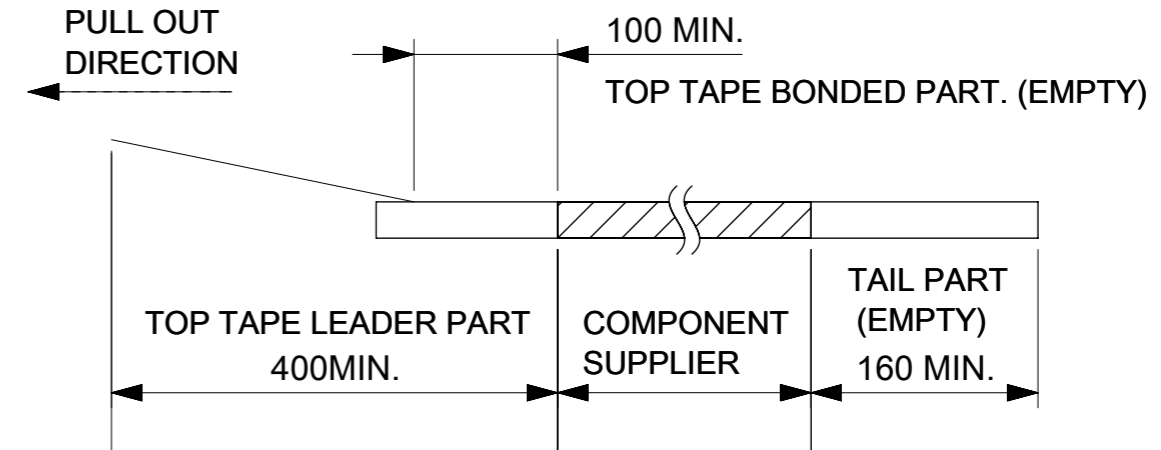
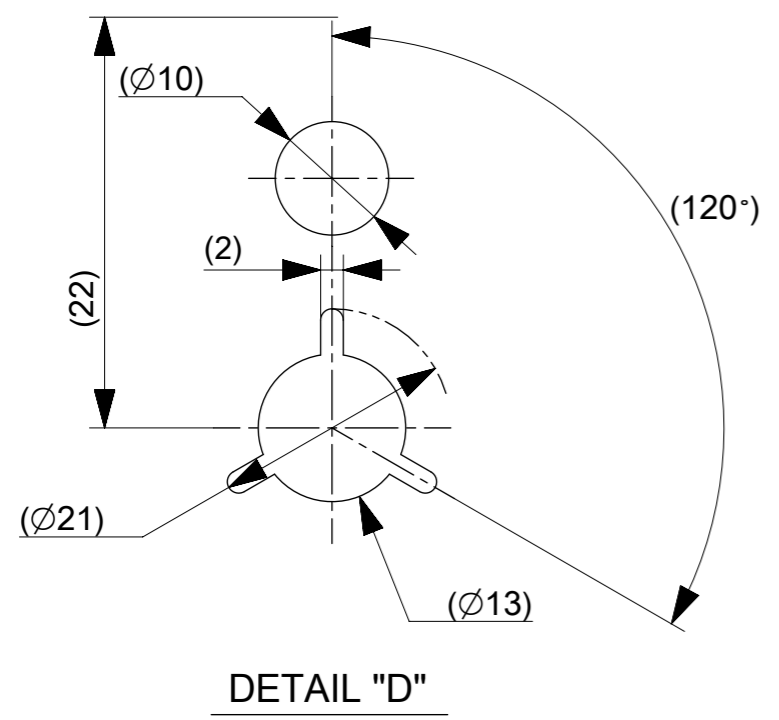


NOTES

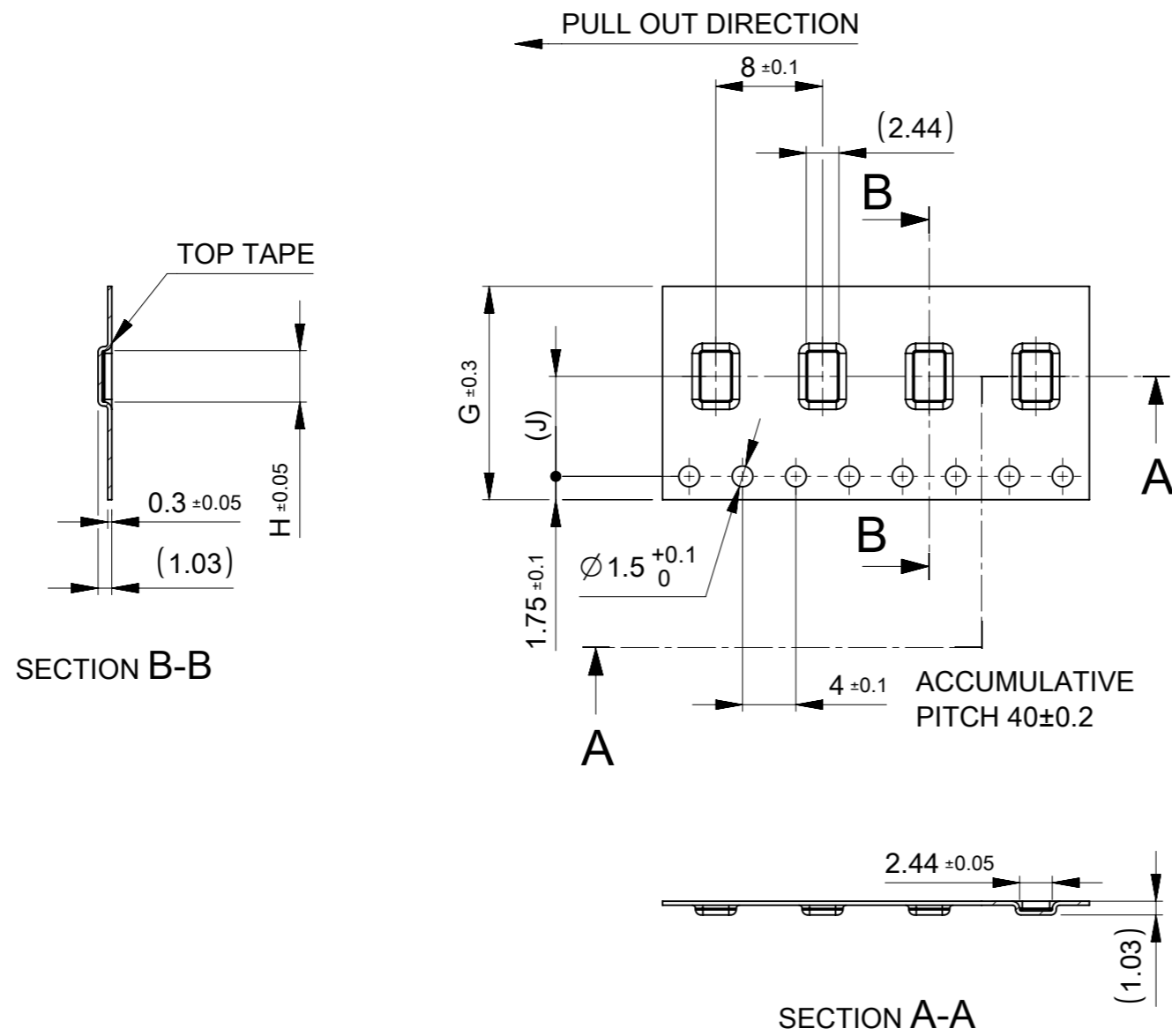
- 1. RE DETAILED DIMENSION, SEE PRODUCT DRAWING.
- 2. NUMBER OF CONNECTORS : 11000PCS/REEL
- 3. LEAD TAPE LENGTH.



- 4. PEELING OFF FORCE OF THE TOP TAPE IS DEFINED BY IEC60286-3.
- 5. MATERIAL
CARRIER TAPE : POLYSTYRENE OR PET
TOP TAPE : PET , OTHER
REEL : POLYSTYRENE (PS) < RECYCLE MATERIAL CONTAINED >
- 6. CONFORM TO 2188779200-SPK/PS/200 FOR PACKAGING SPECIFICATION.
- 7. CONFORM TO 2188779200-SPK/PS/201 FOR PACKAGING SPECIFICATION.



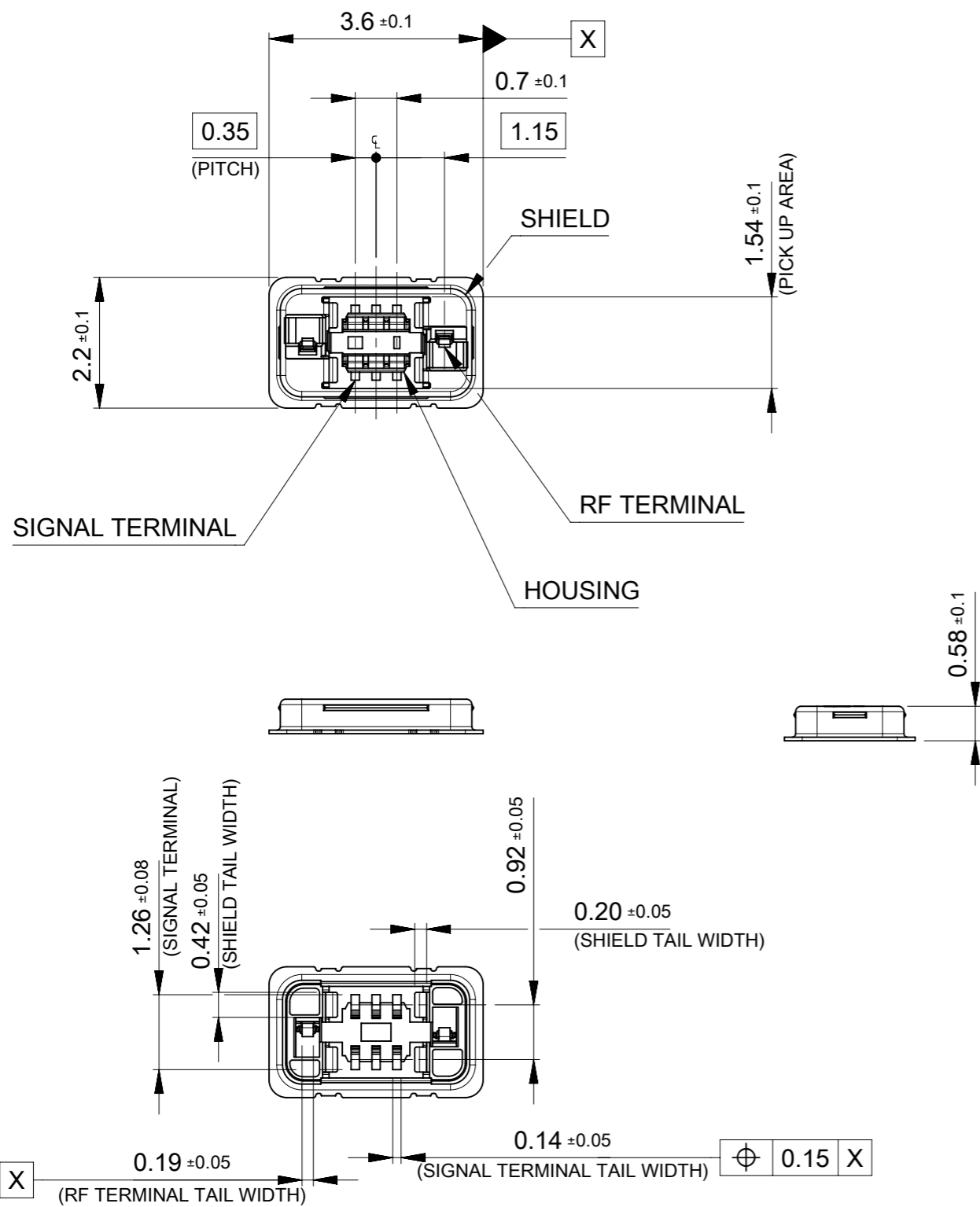
THIS DRAWING CONTAINS INFORMATION THAT IS PROPRIETARY TO MOLEX ELECTRONIC TECHNOLOGIES, LLC AND SHOULD NOT BE USED WITHOUT WRITTEN PERMISSION										
DIMENSION UNITS	SCALE	CURRENT REV DESC:					molex			
mm	1:1									
GENERAL TOLERANCES (UNLESS SPECIFIED)							5G25 PLUG EMBOSS PACKAGE			
ANGULAR TOL ± °							PRODUCT CUSTOMER DRAWING			
4 PLACES ±		EC NO: 732080				DOCUMENT NUMBER				
3 PLACES ±		DRWN: RAJMOK	2022/12/02			2188770000-SD				
2 PLACES ±		CHK'D: YNUKANOBU	2022/12/15			DOC TYPE DOC PART REVISION				
1 PLACE ±		APPR: YNAITO	2022/12/19			PSD 000 B				
0 PLACES ±		INITIAL REVISION:								
DRAFT WHERE APPLICABLE MUST REMAIN WITHIN DIMENSIONS		THIRD ANGLE PROJECTION	DRAWING	SERIES	MATERIAL NUMBER	CUSTOMER	SHEET NUMBER			
			A3-SIZE	218877	SEE SHEET-2	GENERAL	1 OF 2			



2188770064	2188770062	7.5	3.84	16	21.4	17.4	○	---	6
ORDER NO.	ORDER NO.	J	H	G	F	E	HIGH VOL. TOOL	LOW VOL. TOOL	Ckt.
PACKAGING SPEC:	PACKAGING SPEC:	SAMPLE PREPARATION ○ : TOOLED △ : WORK IN PROCESS --- : TOOLING TO BE CONFIRMED							

CONNECTOR SERIES No. 218877****

THIS DRAWING CONTAINS INFORMATION THAT IS PROPRIETARY TO MOLEX ELECTRONIC TECHNOLOGIES, LLC AND SHOULD NOT BE USED WITHOUT WRITTEN PERMISSION		CURRENT REV DESC:		molex		
DIMENSION UNITS mm	SCALE 2:1	EC NO: 732080				
GENERAL TOLERANCES (UNLESS SPECIFIED)		DRWN: RAJMOK		PRODUCT CUSTOMER DRAWING		
ANGULAR TOL ± °		CHK'D: YNUKANOBU		DOCUMENT NUMBER		
4 PLACES ±		APPR: YNAITO		2188770000-SD		
3 PLACES ±		INITIAL REVISION:		DOC TYPE		
2 PLACES ±		DRWN: NKONDO		PSD		
1 PLACE ±		APPR: KSASAKI		DOC PART		
0 PLACES ±		SERIES		000		
DRAFT WHERE APPLICABLE MUST REMAIN WITHIN DIMENSIONS		THIRD ANGLE PROJECTION		REVISION		
		DRAWING		B		
		A3-SIZE		SHEET NUMBER		
		218877		2 OF 2		
		MATERIAL NUMBER		CUSTOMER		
		SEE TABLE		GENERAL		

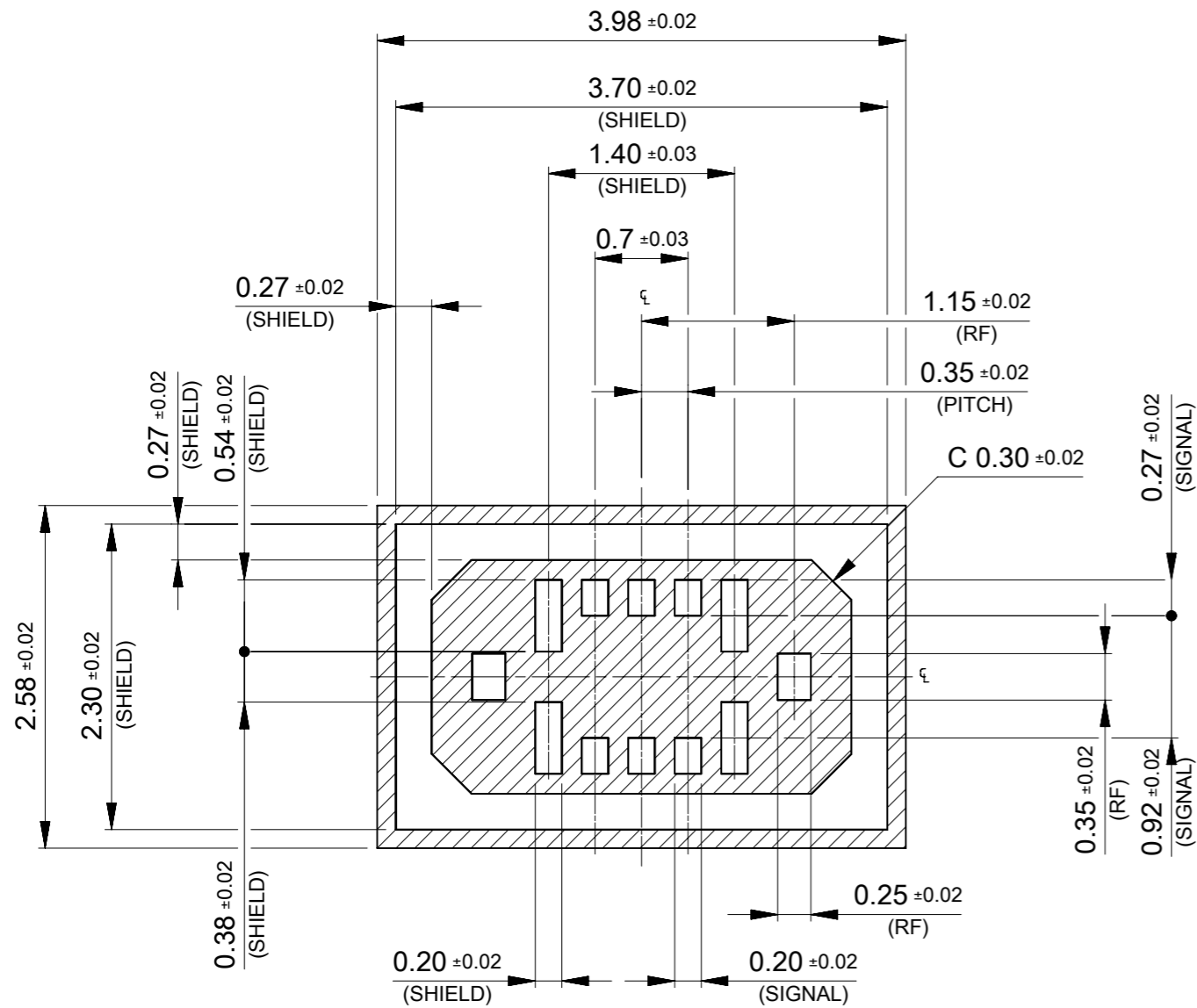


NOTES

- MATERIAL
 HOUSING : LIQUID CRYSTAL POLYMER UL94V-0(COLOR : BLACK)
 SIGNAL TERMINAL : COPPER ALLOY
 RF TERMINAL : COPPER ALLOY
 SHIELD : COPPER ALLOY
- PLATING
 SIGNAL TERMINAL
 CONTACT AREA : GOLD
 TAIL AREA : GOLD
 UNDER : NICKEL
 RF TERMINAL
 CONTACT AREA : GOLD
 TAIL AREA : GOLD
 UNDER : NICKEL
 SHIELD
 TAIL AREA : NICKEL (SOLDERABLE)
- MATE WITH :2188760062
- COPLANARITY TO BE 0.08MAXIMUM.
- CONFORM TO 2188779200-SPK/PS/200 FOR PACKAGING SPECIFICATION.
- CONFORM TO 2188779200-SPK/PS/201 FOR PACKAGING SPECIFICATION.

2188770064	2188770062	○	---	6
EMBOSED TAPE PACKAGE	EMBOSED TAPE PACKAGE	HIGH VOL. TOOL	LOW VOL. TOOL	SIGNAL CIRCUIT
ORDER No.	ORDER No.	SAMPLE PREPARATION ○ : TOOLED △ : WORK IN PROCESS --- : TOOLING TO BE CONFIRMED		
PACKAGING SPEC: △ 6	PACKAGING SPEC: △ 5			

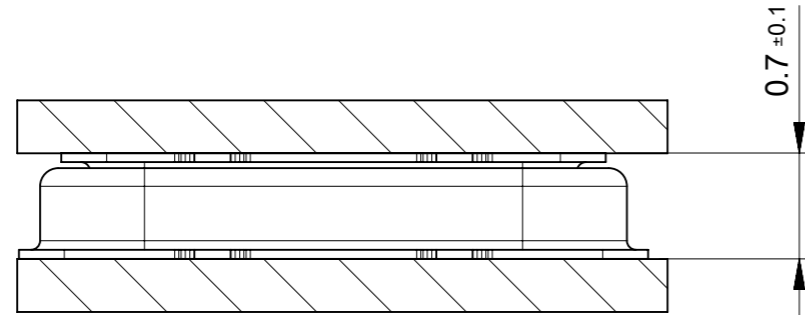
THIS DRAWING CONTAINS INFORMATION THAT IS PROPRIETARY TO MOLEX ELECTRONIC TECHNOLOGIES, LLC AND SHOULD NOT BE USED WITHOUT WRITTEN PERMISSION									
DIMENSION UNITS	SCALE	CURRENT REV DESC:			molex				
mm	10:1								
GENERAL TOLERANCES (UNLESS SPECIFIED)		EC NO: 732080			5G25 PLUG ASSY				
ANGULAR TOL ± 3.0°		DRWN: RAJMOK 2022/12/07							
4 PLACES ± 0.03		CHK'D: YNUKANOBU 2022/12/15			PRODUCT CUSTOMER DRAWING				
3 PLACES ± 0.03		APPR: YNAITO 2022/12/19							
2 PLACES ± 0.05		INITIAL REVISION:			DOCUMENT NUMBER: 2188771000-SD				
1 PLACE ± 0.1		DRWN: NKONDO 2021/11/09							
0 PLACES ± 0.2		APPR: KSASAKI 2022/09/14			DOC TYPE: PSD				
DRAFT WHERE APPLICABLE MUST REMAIN WITHIN DIMENSIONS		THIRD ANGLE PROJECTION							
		DRAWING	SERIES	MATERIAL NUMBER	CUSTOMER	DOC PART	REVISION	SHEET NUMBER	
		A3-SIZE	218877	SEE TABLE	GENERAL	000	B	1 OF 2	



P.W. BOARD PATTERN LAYOUT

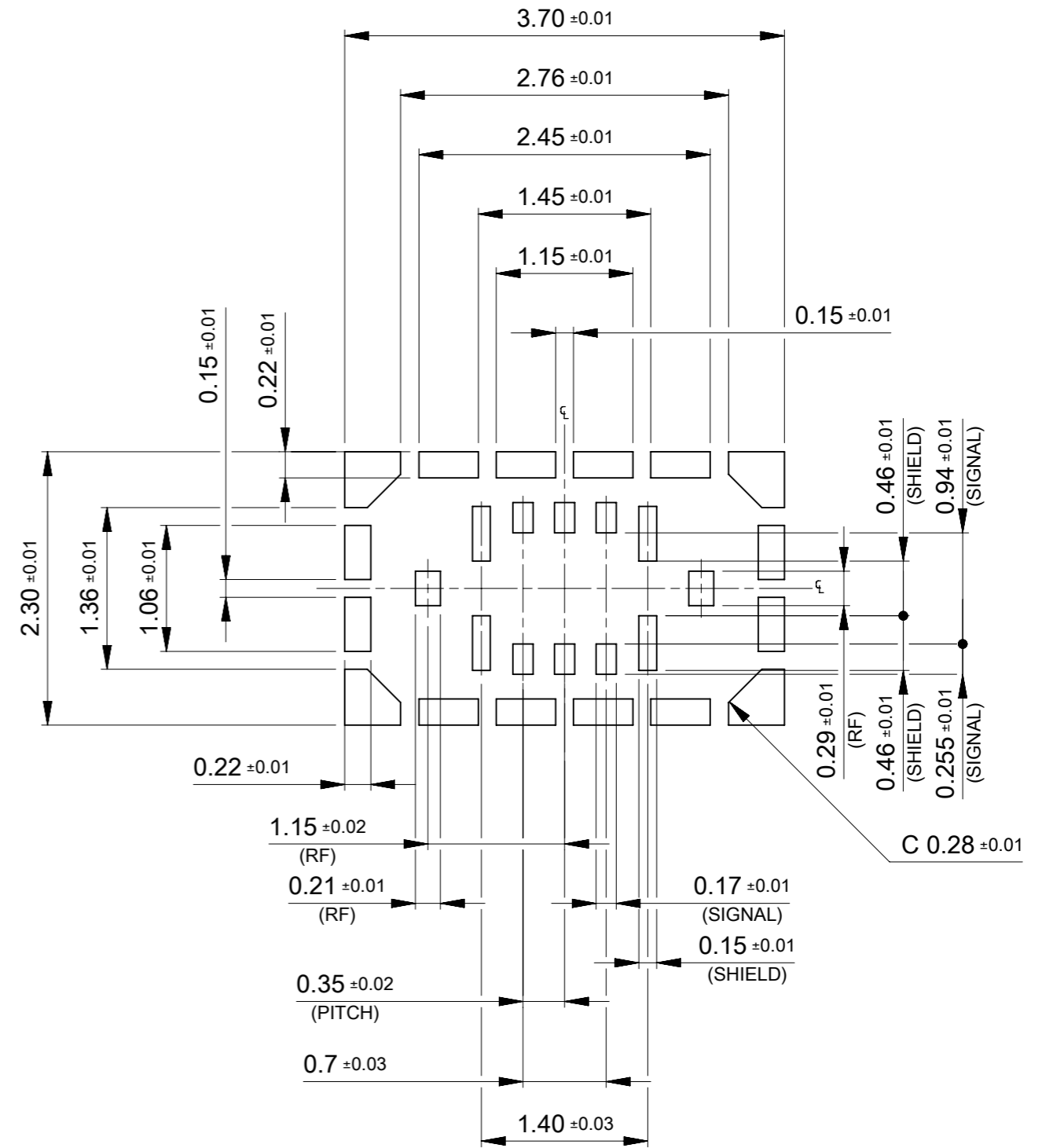


SOLDERING PROHIBITED AREA
 WHEN WIRING IS LOCATED, THE WIRING MUST BE MASKED
 BY COVER LAY OR RESIST FILM.



MATED CONDITION

THIS DIMENSION SHOW A DIMENSION BETWEEN THE TAIL TO TAIL.



METAL MASK LAYOUT

THICKNESS OF METAL MASK : t=0.08mm

THIS DRAWING CONTAINS INFORMATION THAT IS PROPRIETARY TO MOLEX ELECTRONIC TECHNOLOGIES, LLC AND SHOULD NOT BE USED WITHOUT WRITTEN PERMISSION												
DIMENSION UNITS		SCALE		CURRENT REV DESC:								
mm		20:1										
GENERAL TOLERANCES (UNLESS SPECIFIED)												
ANGULAR TOL ± 3.0 °												
4 PLACES ± 0.03												
3 PLACES ± 0.03												
2 PLACES ± 0.05												
1 PLACE ± 0.1												
0 PLACES ± 0.2												
DRAFT WHERE APPLICABLE MUST REMAIN WITHIN DIMENSIONS												
THIRD ANGLE PROJECTION			DRAWING		SERIES		MATERIAL NUMBER		CUSTOMER			
			A3-SIZE		218877		SEE SHEET-1		GENERAL			
EC NO: 732080				DRWN: RAJMOK		2022/12/07						
CHK'D: YNUKANOBU				2022/12/15		2022/12/19						
APPR: YNAITO				2022/11/09		2022/09/14		PRODUCT CUSTOMER DRAWING				
INITIAL REVISION:				DRWN: NKONDO		2021/11/09		DOCUMENT NUMBER		DOC TYPE	DOC PART	REVISION
APPR: KSASAKI				2022/09/14				2188771000-SD		PSD	000	B
								218877		2 OF 2		