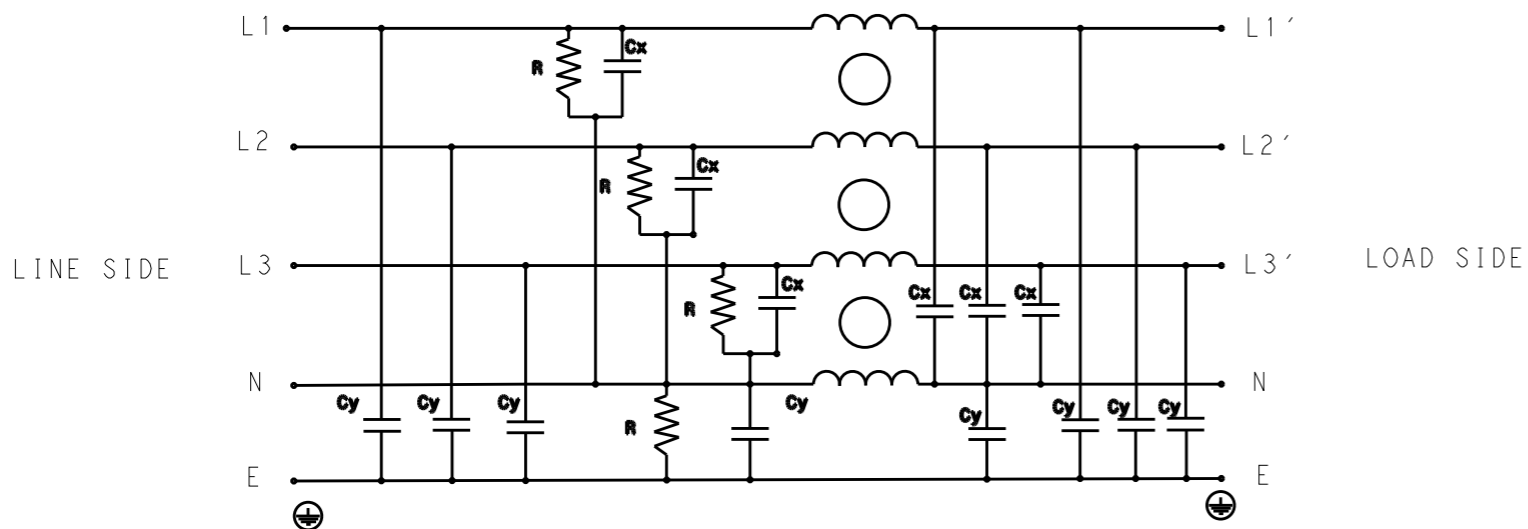


REVISIONS

P	LTR	DESCRIPTION	DATE	DWN	APVD
	B	INITIAL RELEASE	08JUL2020	SB	LI



SCHEMATIC

SAFETY ORGANIZATIONS  
 THIS FILTER WILL BE FORMALLY RECOGNIZED, CERTIFIED OR APPROVED BY THE LISTED AGENCY. THEREFORE, ALL TEST/REQUIREMENTS SPECIFIED IN THE LATEST REVISION OF THE FOLLOWING AGENCY STANDARDS WILL BE MET:

UL RECOGNIZED\* 36A 520V 50Hz/60Hz 40°C  
 CSA CERTIFIED\*\* 36A 520V 50Hz/60Hz 40°C  
 \*31 JULY 2020 ; \*\*31 AUGUST 2020

OPERATING SPECIFICATION  
 LINE CURRENT/VOLTAGE: 36A, 520VAC  
 LINE FREQUENCY: 50/60Hz

MAXIMUM LEAKAGE CURRENT: 8.5mA @ 230VAC, 50Hz  
 OPERATING AMBIENT TEMPERATURE RANGE @ RATED CURRENT: -25°C TO +40°C

IN AN AMBIENT, T<sub>a</sub>, HIGHER THAN 40°C, THE MAXIMUM OPERATING CURRENT, I<sub>o</sub>, IS AS FOLLOWS:

$$I_o = I_r \sqrt{\frac{85 - T_a}{45}}$$

RELIABILITY SPECIFICATIONS  
 STORAGE TEMPERATURE: -40°C TO +85°C  
 HUMIDITY: 21 DAYS @ 40°C AND 95% RH

TEST SPECIFICATIONS  
 INDUCTANCE, NOMINAL: 1.5mH

CAPACITANCE @ 1kHz  
 LINE TO GROUND, NOMINAL: 1.86µF  
 NEUTRAL TO GROUND, NOMINAL: 2.2µF  
 LINE TO NEUTRAL, NOMINAL: 10µF

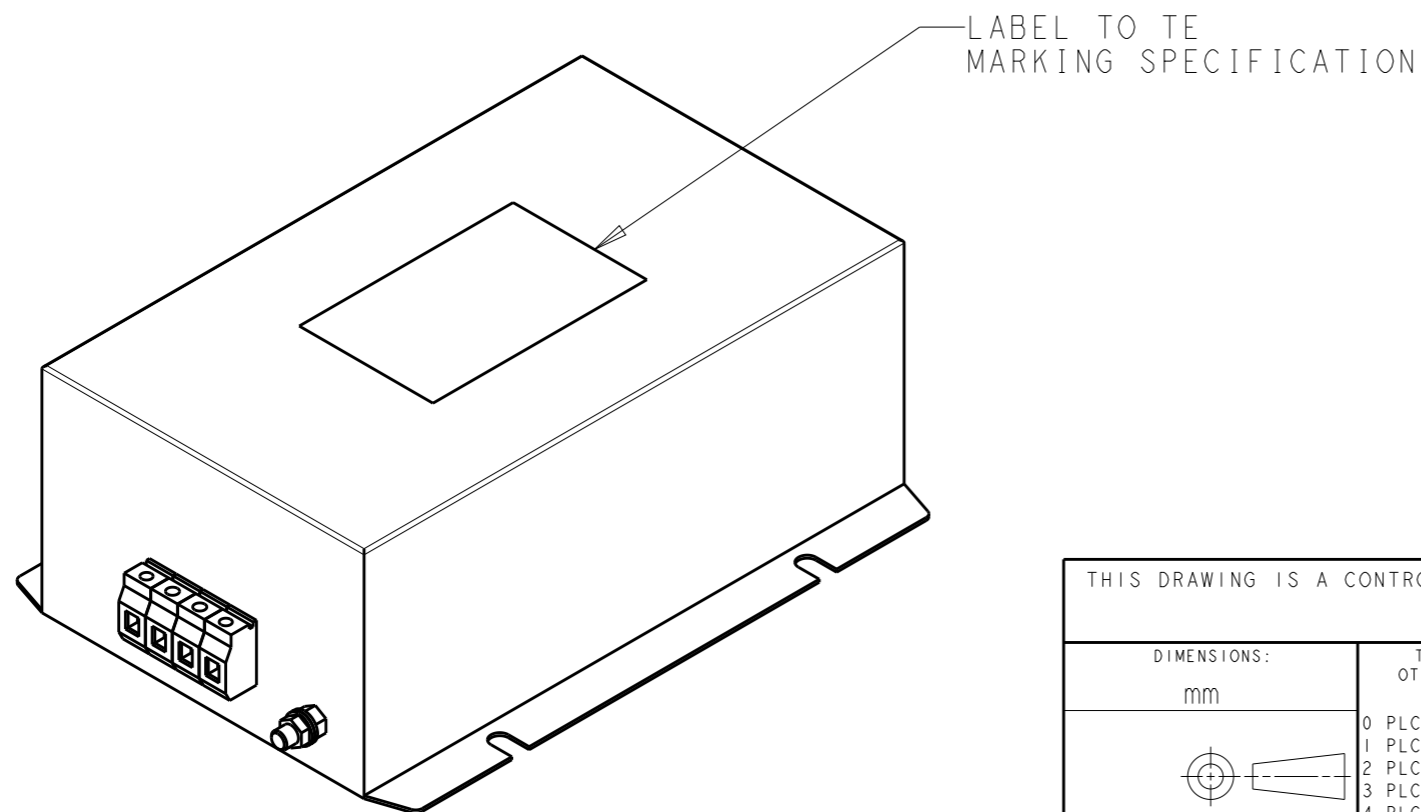
DISCHARGE RESISTOR  
 L/L I.R. 2MΩ 1W  
 L/N I.R. 1MΩ 1W  
 L/G I.R. 2MΩ 1W  
 N/G I.R. 1MΩ 1W  
 IR (NO DISCHARGE RESISTOR) 20°C, 50% RH AND 100VDC, MIN: 6MΩ


RECOMMENDED RECEIVING INSPECTION HIPOT  
 LINE TO GROUND FOR 1 MINUTE: 2856VDC  
 LINE TO LINE FOR 1 MINUTE: 2236VDC  
 LINE TO NEUTRAL FOR 1 MINUTE: 1290VDC

FILTER APPROVAL  
 THE BEST WAY TO SELECT AND QUALIFY A FILTER IS FOR YOUR ENGINEERING TO TEST THE UNIT IN YOUR EQUIPMENT.

TYPICAL INSERTION LOSS  
 COMMON MODE 50/50Ω; DIFFERENTIAL MODE 50/50Ω

MHz	0.01	0.05	0.15	0.5	1	3	5	10	30
CM	57	56	58	51	50	48	35	33	31
DM	49	50	65	82	86	70	65	66	37



THIS DRAWING IS A CONTROLLED DOCUMENT.		DWN 28FEB2020 SHRICARANA B		 TE Connectivity	
DIMENSIONS: mm		CHK 28FEB2020 LEO IRUDHAYARAJ			
TOLERANCES UNLESS OTHERWISE SPECIFIED:		APVD 28FEB2020 LEO IRUDHAYARAJ		NAME POWER LINE FILTER 36KEPS10BFPW	
0 PLC ±-		PRODUCT SPEC		SIZE	
1 PLC ±0.5		APPLICATION SPEC		CAGE CODE	
2 PLC ±0.40		WEIGHT		DRAWING NO	
3 PLC ±0.130		CUSTOMER DRAWING		RESTRICTED TO	
4 PLC ±0.0500		SCALE 1:2		SHEET 1 OF 2	
ANGLES ±-		REV B			
MATERIAL		FINISH			

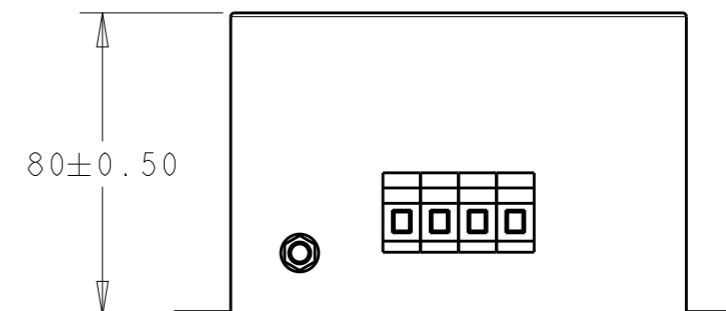
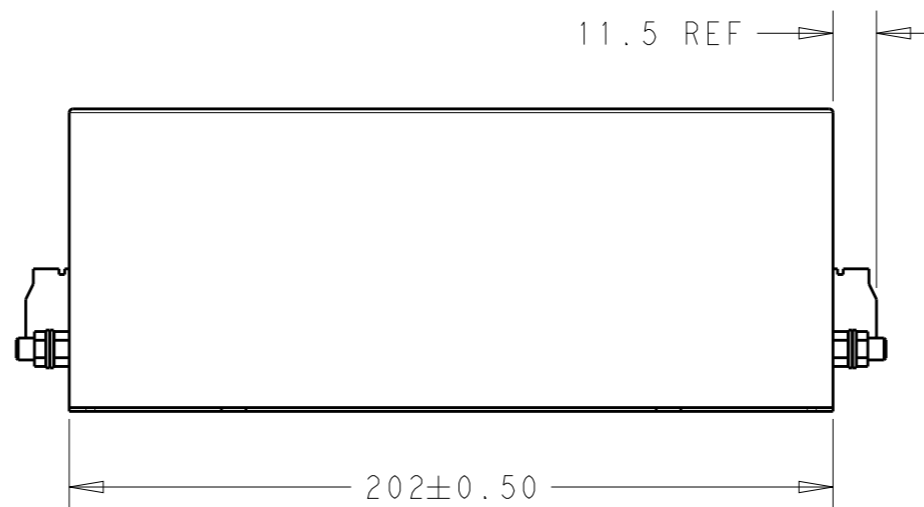
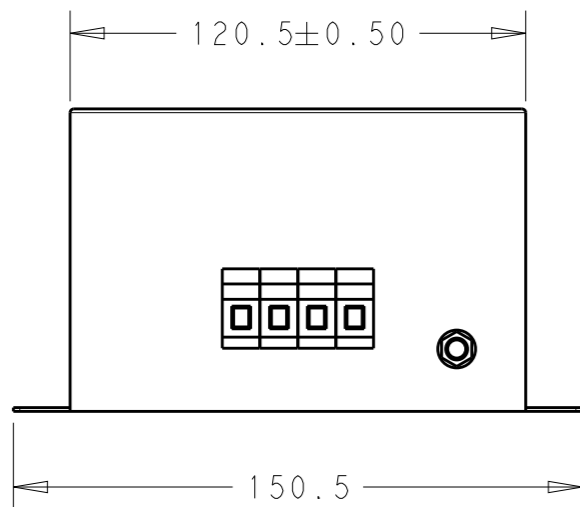
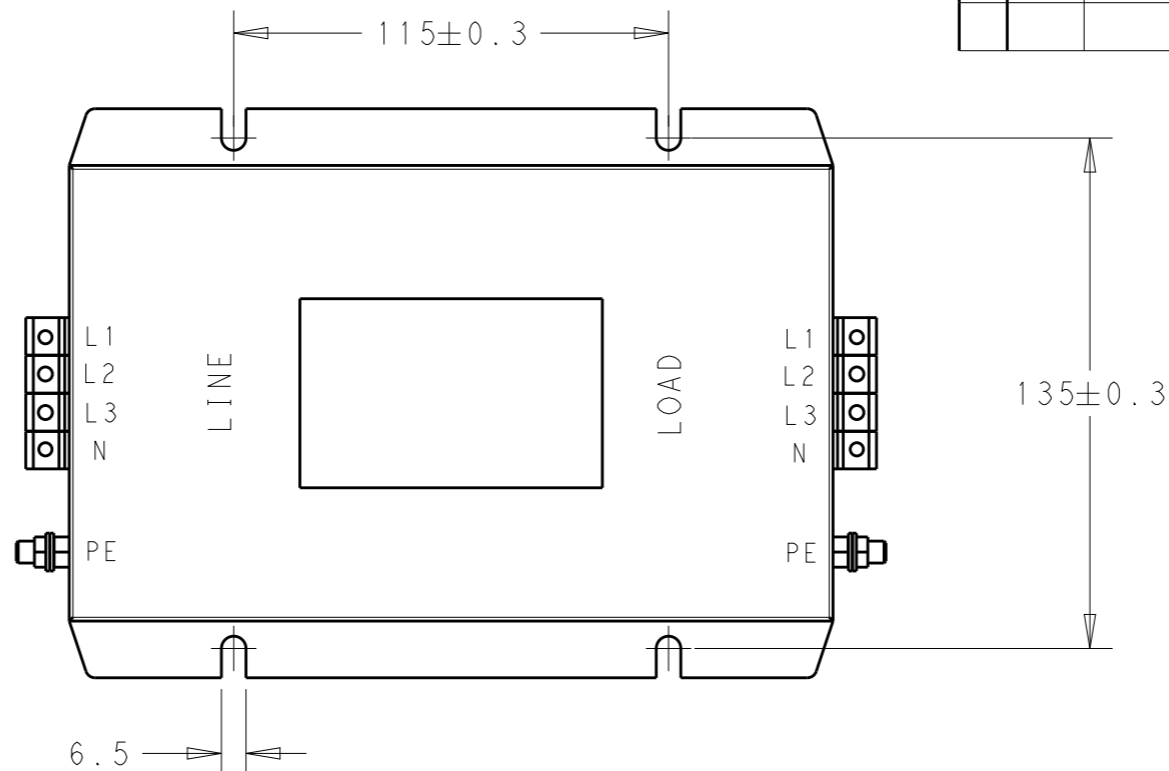
© 2020 TE Connectivity. All Rights Reserved.

NOTE 1 GROUND CONNECTION:  
 DO NOT LOOSEN INNER GROUND NUTS.  
 TORQUE OUTER TERMINAL SCREWS: 1.2Nm / 10.8 in.lbs  
 TORQUE GROUND NUTS: 2.5-3Nm

NOTE 2 INPUT OUTPUT CONNECTION TERMINAL  
 AWG SIZE: 26-8 AWG  
 WIRE SECTION: 10 mm<sup>2</sup>  
 THREADED BOLT SIZE FOR GROUND: M6

REVISIONS

P	LTR	DESCRIPTION	DATE	DWN	APVD
		SEE SHEET 1			



THIS DRAWING IS A CONTROLLED DOCUMENT.		DWN	28FEB2020	<b>TE</b> TE Connectivity			
		CHK	28FEB2020				
		APVD	28FEB2020				
			LEO IRUDHAYARAJ				
DIMENSIONS: mm		TOLERANCES UNLESS OTHERWISE SPECIFIED:		NAME			
		0 PLC	±-	POWER LINE FILTER			
		1 PLC	±0.5	36KEPS10BFPW			
		2 PLC	±0.40				
		3 PLC	±0.130				
MATERIAL		FINISH		SIZE	CAGE CODE	DRAWING NO	RESTRICTED TO
-		-	-	A3	00779	C-4-1609968-6	-
		CUSTOMER DRAWING		SCALE	SHEET	OF	REV
				1:2	2	2	B